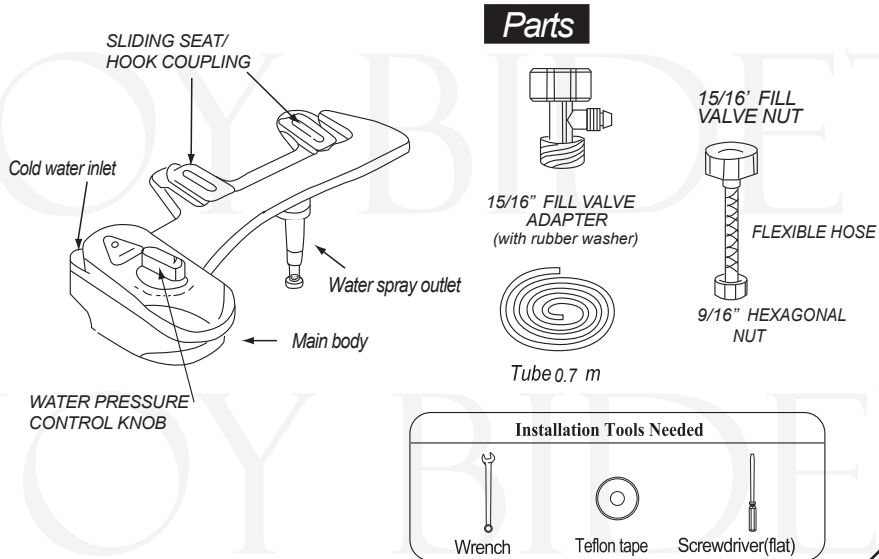


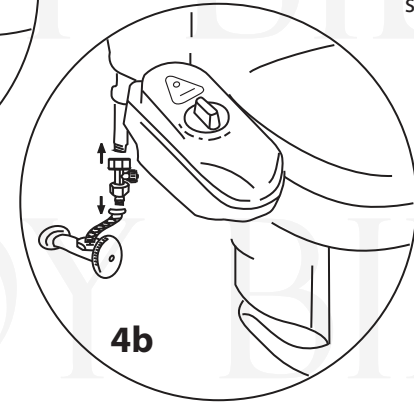
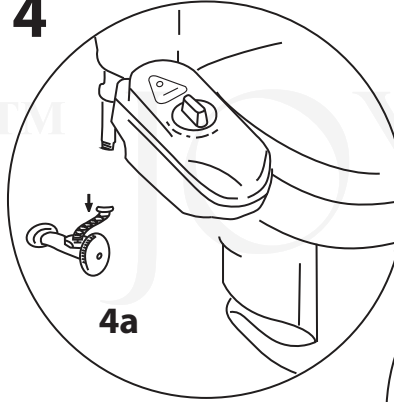
JOY BIDET™ C-1™ Assembly Instruction

1. NAMES AND FUNCTIONS OF PARTS



Connecting Water Supply

4



4a: Shut off the water supply.

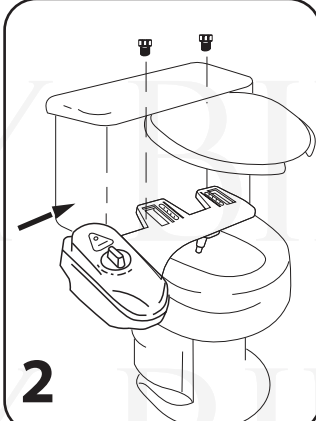
Disconnect the water connection from the tank.

4b: Connect the plastic T-adapter to the water supply as shown in figure 4b

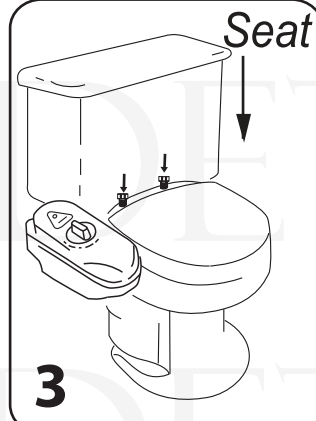
Top of the T- adapter connects with the water tank.



Remove the seat by unscrewing the seat.

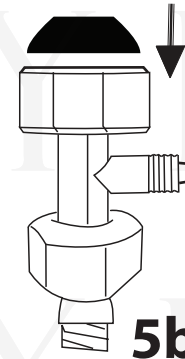
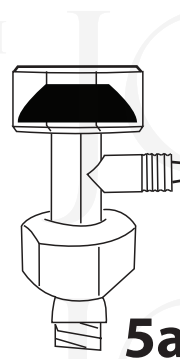


Place the bidet on the toilet. Align the seat coupling holes.



Screw the seat back on to the bidet and the toilet.

5

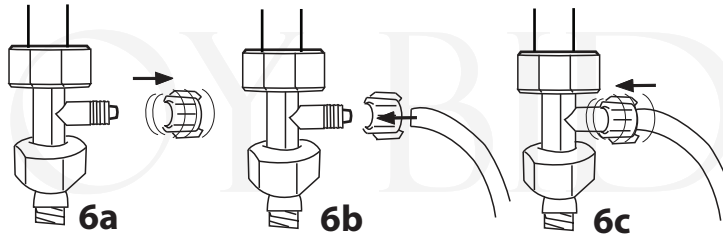


5a: Please make sure that there is a black rubber washer inserted in top of T-adapter.

5b: If it is not already there, please insert it as shown in figure 5b

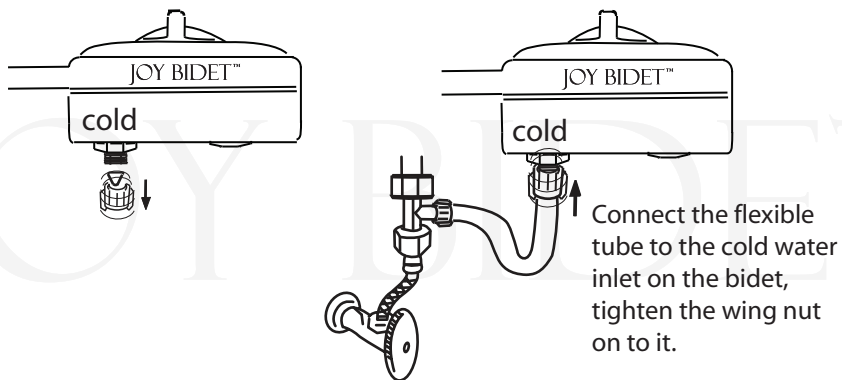
JOY BIDET™ C-1™ Assembly Instruction™

6



6a: Remove the wing nut.
6b: Put plastic tube through wing nut.
6c: Connect plastic tube to tank. Tighten wing nut back on to the T-adapter.

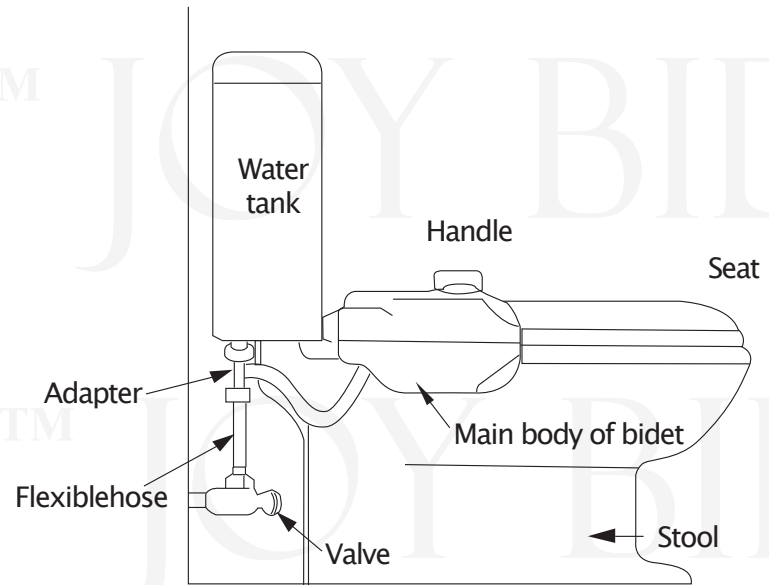
7



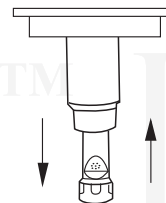
Connect the flexible tube to the cold water inlet on the bidet, tighten the wing nut on to it.

For more information, visit www.JoyBidet.com.

ASSEMBLED UNIT



TROUBLE SHOOTING



If your spray outlet hole is clogged for some reason, simply try to move spray outlet up and down for a few times manually.

TRYING YOUR BIDET FOR THE FIRST TIME

Congratulations! You are ready to use the JOY BIDET for the first time. Be sure to turn water pressure control knob gently until reaching your desired pressure. Water pressure control device is only to control water pressure, not for setting up the duration of water spray.

The working pressure of this product is 0.2MPa+0.02MPa

For more information, visit www.JoyBidet.com.

©2Go Products, LLC