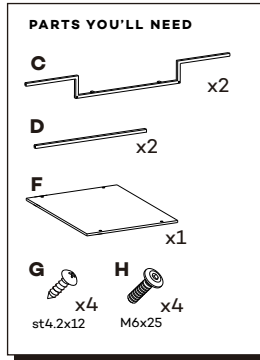
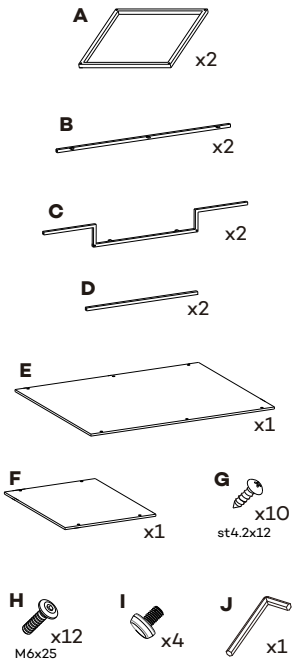


# YORI

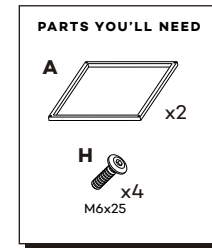
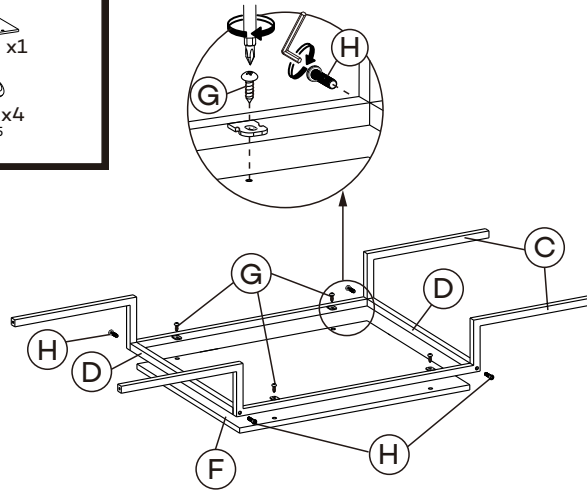
## DO IT YOURSELF WITH THE KENSU TABLE (WIDE)

THESE ARE ALL THE PARTS  
INCLUDED IN THE BOX.



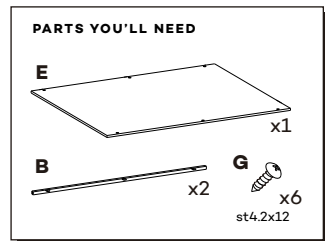
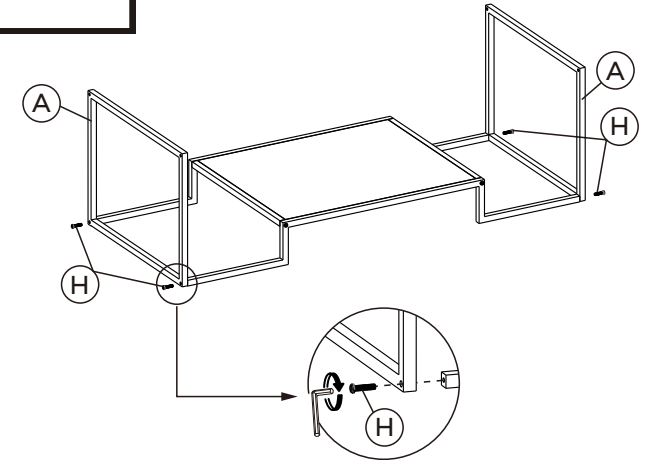
### STEP 1

Screw-in the bottom frame (C) into the bottom panel (F).



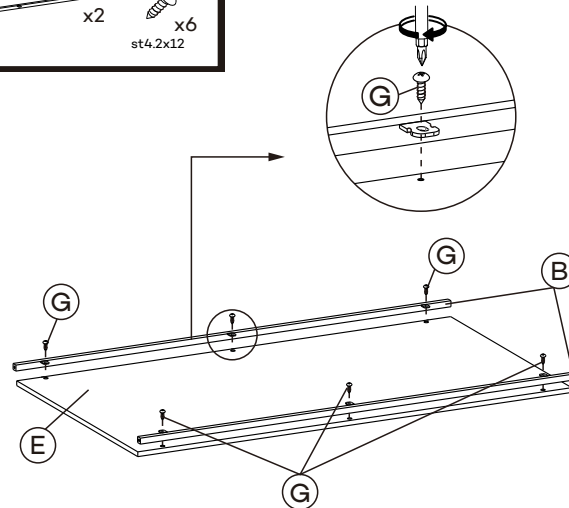
### STEP 2

Screw-in the table's legs (A) in to the bottom frame.



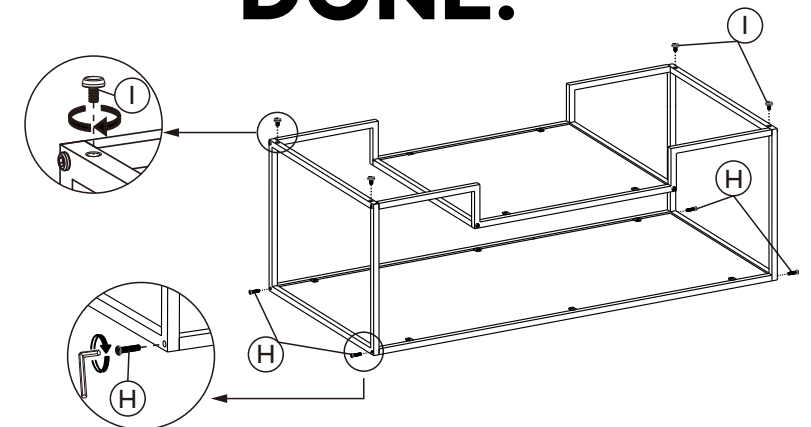
### STEP 3

Screw-in the supporting bars (B) in to the table top panel (E).



### STEP 4

Screw-in the leg frames in to the supporting bars of the table top.  
Turn it right side up, tighten the screws...



# DONE!