

COSASCO® DOUBLE BLOCK & BLEED SERVICE VALVE

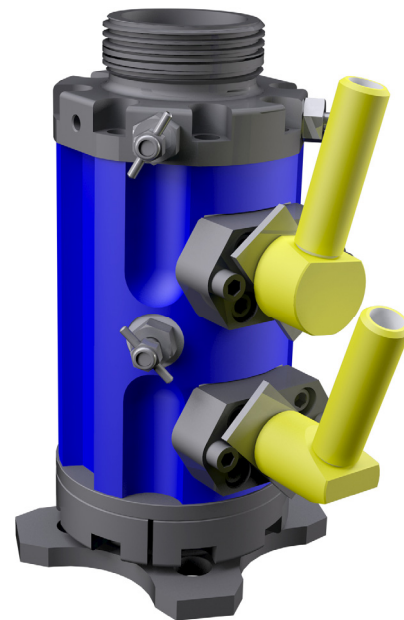
6000 PSI

Features

- Meets NACE MR0175 and MR0103
- Pressure Rating — 6000 PSI (41.4 MPa)
- Double Block Valve for Enhanced Safety
- Lighter Weight Design — 56 lbs. (25.4 kg)
- Rotating Base for Easier Positioning
- Temperature Rating Up to +250 °F (+121 °C)

The Cosasco® Double Block and Bleed Service Valve is designed to provide an extra layer of protection to ensure maximum safety requirements are met. The complete Service Valve Kit includes the valve assembly with extension lever, brass hammer, and socket adapter; spare face-to-access fitting O-ring and a heavy duty field service box for safe, compact storage and easy portability.

The Cosasco Double Block and Bleed Service Valve is compatible with all Cosasco Access Fittings and Retrievers. Attached to the access fitting body, the primary valve is the control which allows the pressurized product to enter the retriever during insertion and removal of Cosasco Solid or Hollow Plug Assemblies. It also contains the pressurized product when the retriever is disconnected. The secondary valve acts as a back-up in the unlikely case the primary valve leaks or fails.



Two ball valves with full-opening ports and special pressure equalizing ports allow the operator to slowly release line pressure to the retriever. With pressure balanced on both sides of the ball valves, the torque required to open the ball valves is reduced, even on high pressure systems.

The valves also incorporate secondary special built-in vents to atmosphere valves, allowing product bleed-off away from the operator for safety and cleanliness. With the aid of the optional accessory Diverter Hose Assembly, the bleed valves can also be used for product sampling, back-pressuring or for product or pressure relief.

Should the solid or hollow plug thread, packing, or O-ring become damaged, preventing service valve removal, a Service Valve Blanking Plug can be used to seal the open end of the valve. The Service Valve Blanking Plug, available as an optional accessory is mated to the acme threads of the service valve after removing the retriever. This provides a secondary seal for the valve. The Service Valve can then be left in place, completely sealing the access fitting until corrective repairs can be made at a later date.

COSASCO®

Order Information

Description	NACE Part Number
Service Valve Kit	601060
Service Valve Assembly	601061
Brass Hammer	125137
Socket Adapter	127500-X1
Service Valve Box	741080
Weight & Dimensions	
Service Valve Face-to-Face Dimension	11.14 in (282.95 mm)
Service Valve and End-to-End Dimension	12.54 (318.51 mm)
Service Valve Assembly Weight	56 lb (25.4 kg)

Service Valve Repair and Seal Kits

Description	Repair Kit NACE Trim P/N	Seal Kit NACE Trim P/N
Repair and Seal Kits consisting of:	611108	611107
O-rings, Viton 90	Yes	Yes
O-Rings, Viton 75	Yes	Yes
Back-up Rings, Teflon	Yes	Yes
Back-up Rings, Polymite Orange	Yes	Yes
Seals, Face-2"	Yes	Yes
Seals, Stem-Viton	Yes	Yes
Seats, Bottom-2"	Yes	Yes
Seats, Top-2"	Yes	Yes
Balls- 2", 17-4 PH S.S.	Yes	N/A
Relief/Bleed Valve Assy. - 2" Service Valve 316-Viton	Yes	N/A
Bonnet Bearing Sleeve-2"	Yes	N/A
Carrier-2" 17-4 PH S.S.	Yes	N/A
Ball Stem Bushing-2"	Yes	N/A

Optional Accessories

Description	Part Number
Service Valve Blanking Plug	127391-X4
Diverter Hose Assembly - 10 ft.	124669
Diverter Hose Assembly - 25 ft.	124931
Diverter Hose Assembly - 50 ft.	124685



Service Valve Blanking – Plug Assembly

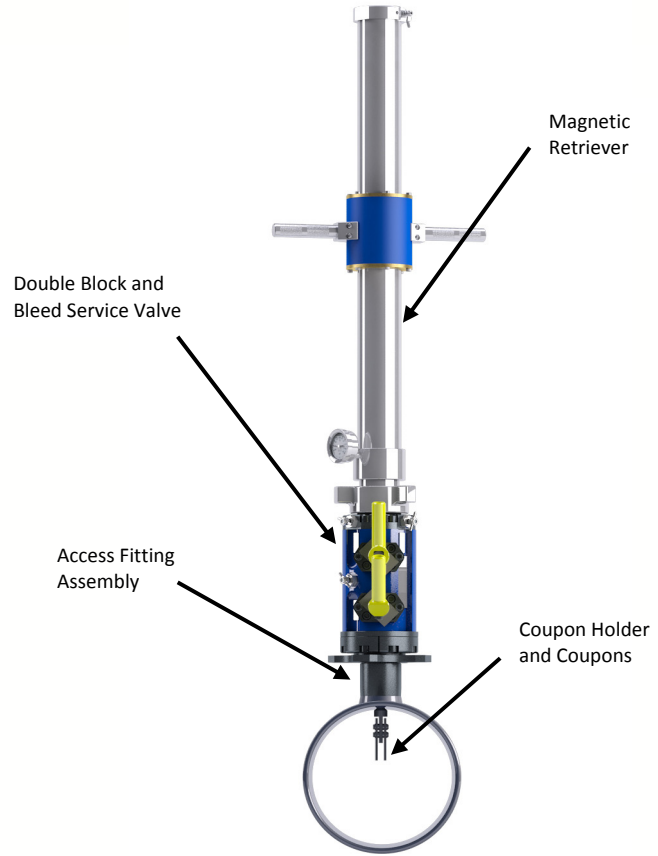
Cosasco
 11841 Smith Avenue
 Santa Fe Springs, CA 90670, USA
 Tel: 1-562-949-0123
 Email: sales@cosasco.com
 Web Site: www.cosasco.com

©Rohrbach Cosasco Systems, Inc. All rights reserved

The contents of this publication are presented for information purposes only, and while effort has been made to ensure their accuracy, they are not to be construed as warranties or guarantees, express or implied, regarding the products or services described wherein or their use or applicability. We reserve the right to modify or improve the designs or specifications of our products at any time without notice.

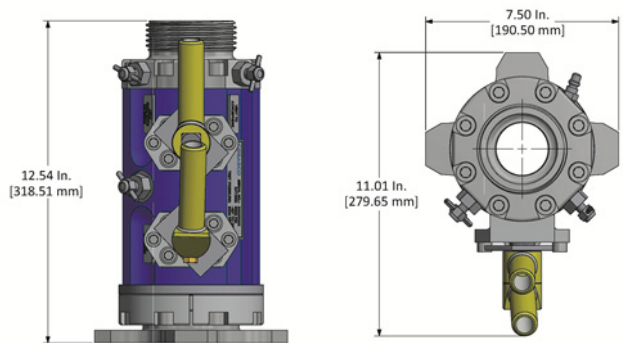
Rohrbach Cosasco Systems Corrosion Monitoring Equipment is manufactured and sold under one or more of the following US Patents: 4138878, 4238298, 4338563, 4514681, 4537071, 4587479, 4605626, 4625557, 4755744, 4839580, 4841787, 4882537 5243297

DBBV-6000-DS rev-A
 Rev. Date: 01/23/2017



Cosasco® Double Block and Bleed Service Valve shown top of the line with Magnetic Retriever attached

Service Valve Dimensions



COSASCO®



ISO 9001:2008
 Certificate No. FM 10064