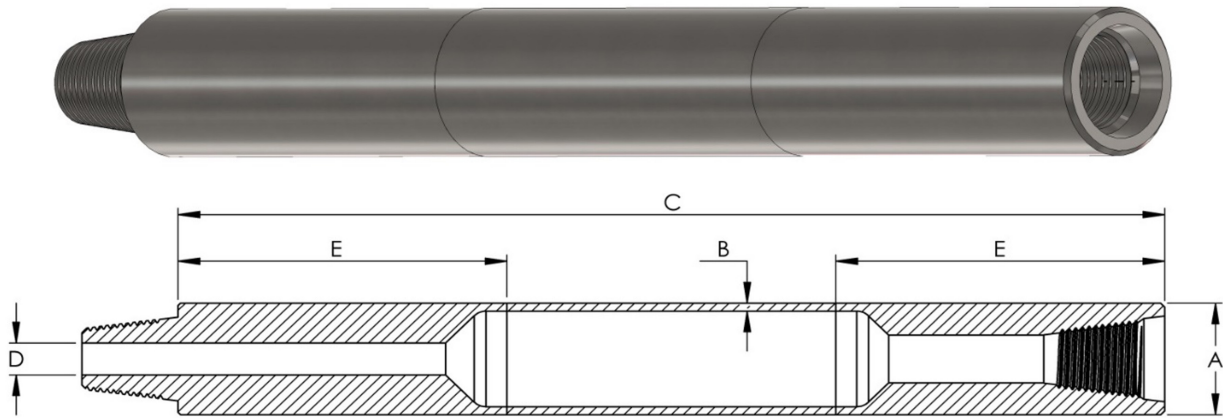
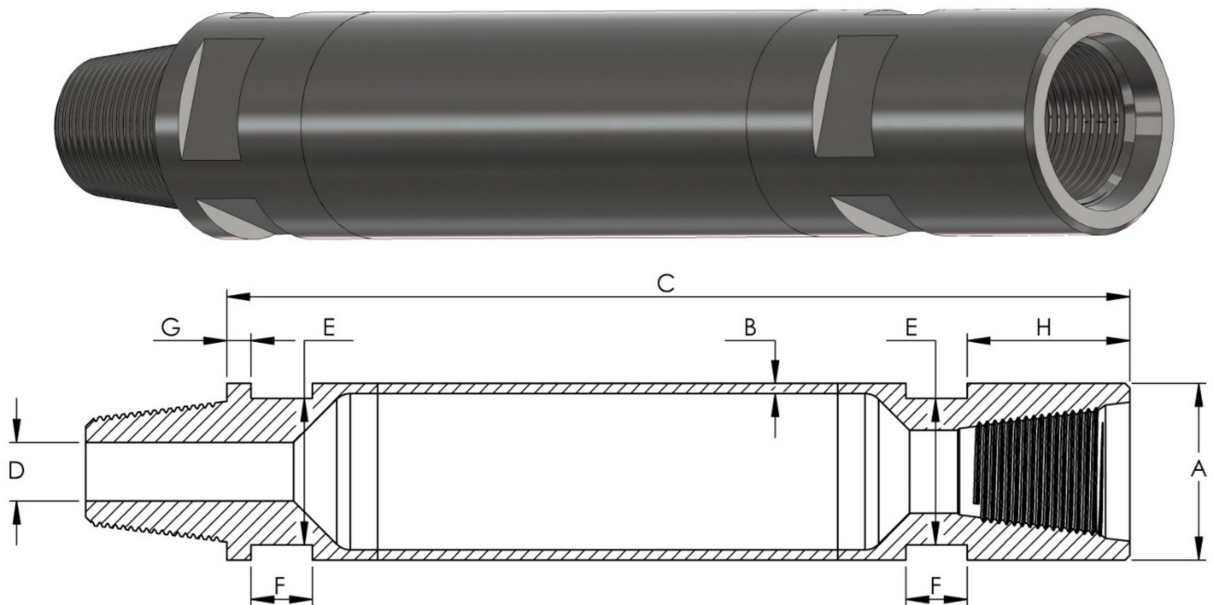


Drill Rods with extended tool joints



Drill Rods with standard tool joints



Material specifications:

Body Tube:	N80	or S355J2H (dependent on Rod diameter)
Yield strength (min):	556-757 N/mm ²	or 340 N/mm ²
Tensile strength:	695 N/mm ²	or 500 to 600 N/mm ²

Tool Joints :	709M40T (42CRMo4 T)
Yield Strength (min)	680 N/mm ²
Tensile Strength :	850 - 1000 N/mm ²