

Standard Pedestal Installation Guide - V210927

This document is intended as a guide only and should be read along with the E & X Series Instruction Manual. Please refer to appropriate electrical and civil standards as required

As well as standard installation tools, the following is required:

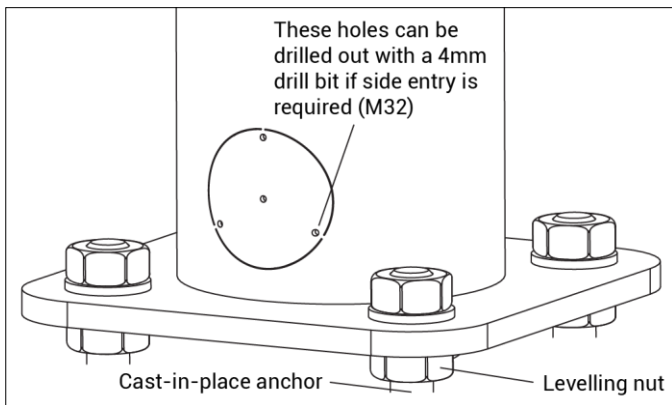
- | | |
|--|---|
| <ul style="list-style-type: none"> • 10mm DRILL BIT • 5mm DRILL BIT • T30 TORX SECURITY BIT | <ul style="list-style-type: none"> • 4mm ALLEN KEY • 8mm SPANNER OR SOCKET • T20 TORX SECURITY BIT |
|--|---|

Standard Pedestal install kit contains:

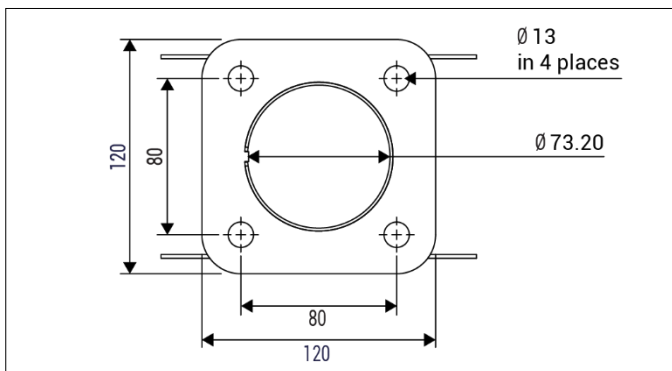
- Pedestal Installation Guide
- 4 x M6 x 12 Torx security screws
- 1 x brass earth stud

1 Mounting Pedestal

M10 or M12 fastening anchors may be used to secure the pedestal. Cast-in-place anchors with levelling nuts are recommended.



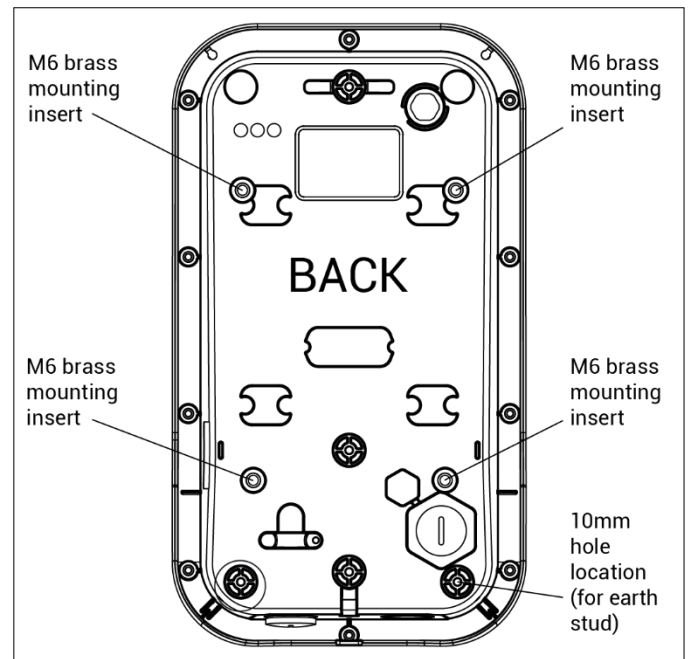
Base Flange Dimensions



2 Preparing Charge Point

Mounting the charge point onto a Standard pedestal only requires one hole to be drilled (for the earth stud).

As shown top right, the M6 brass mounting inserts are labelled (viewed from the back). The location of the 10mm hole for the earth stud is also shown.

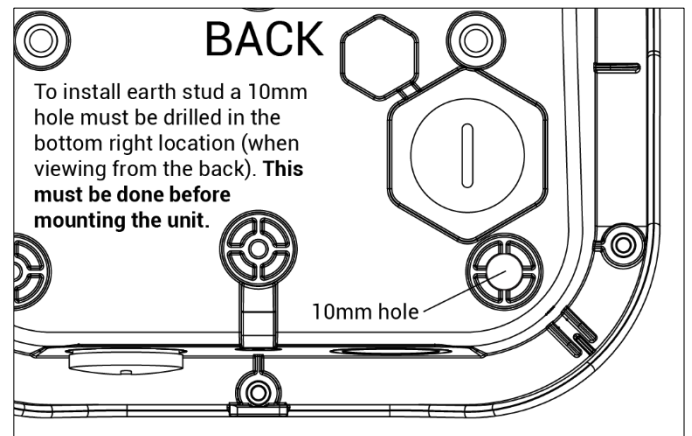


Drill the 10mm earth stud hole as shown below - place the unit on a soft surface to prevent marking the unit while drilling the holes



Drilling too deep into the unit may cause the drill to damage wires. A depth stop or insulation tape on the drill bit can prevent this.

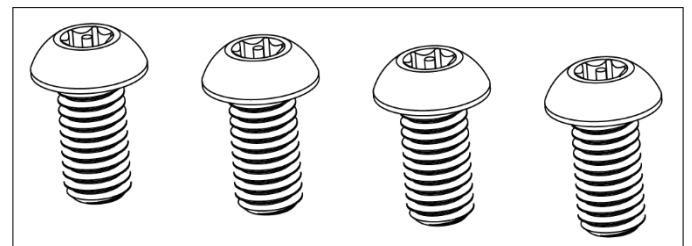
Earth Stud 10mm Hole Location



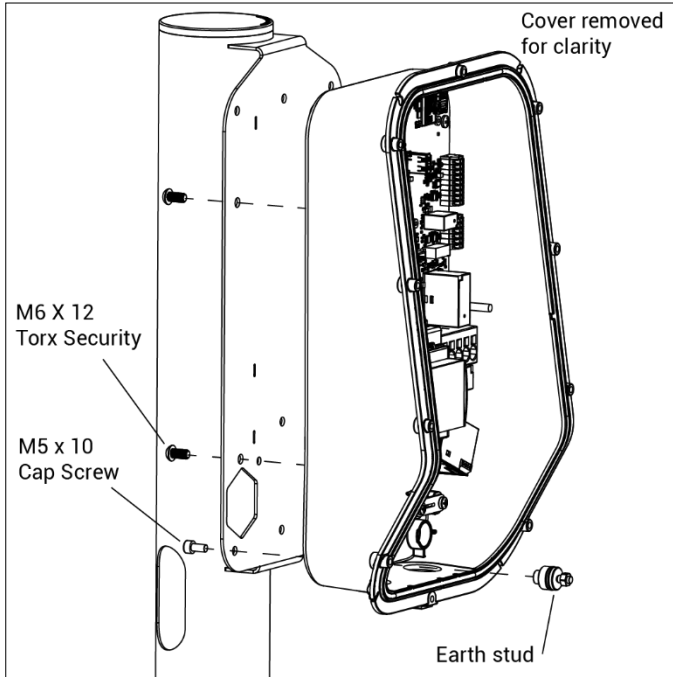
3 Mounting Charge Point

After drilling the 10mm earth stud hole, mount the charge point using the included M6 screws and T30 Torx security bit

4 x M6 x 12 Torx Security Screws



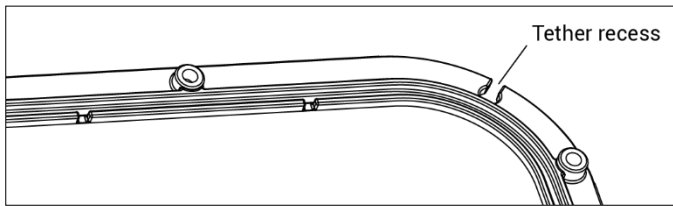
Mounting Charge Point



Remove the cover using a T20 Torx security bit.

Brush or blow out any plastic swarf from the unit as it could prevent water-tight installation of the front cover.

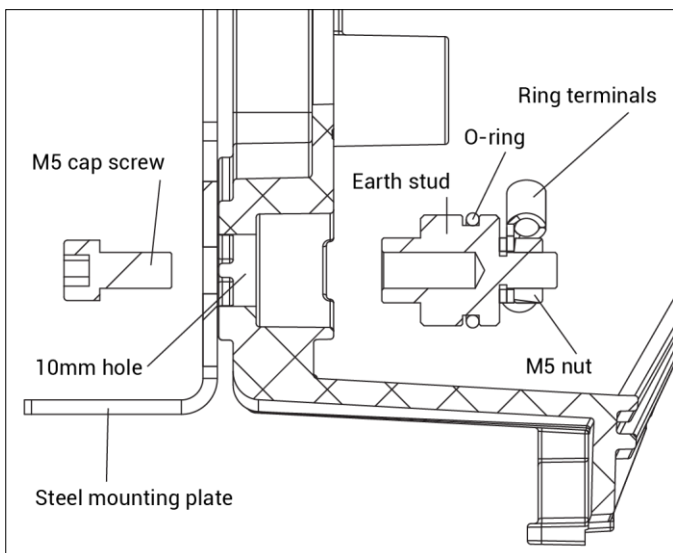
The tether securing the cover may be looped onto the tether recess in the top right corner of the enclosure to aid installation ease.



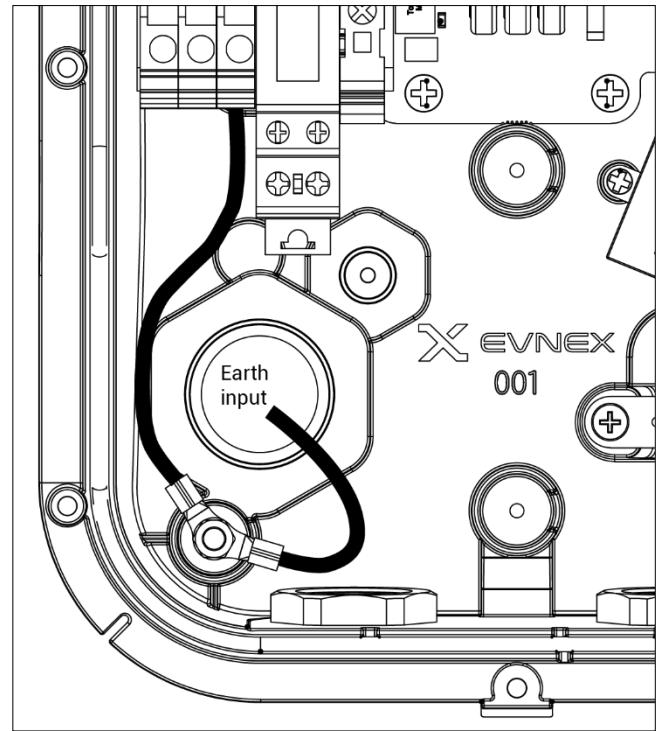
4 Installing earth stud

- Ensure the 10mm hole is drilled as shown in section 2.
- Check the O-ring is installed on the earth stud and that there is no swarf in the sealing recess around the 10mm hole
- Install the stud by pressing it into the sealing recess and firmly tightening the M5 cap screw through the mounting plate as shown below. This creates a reliable earth connection to pedestal.

Earth Stud Installation Cross Section



Earth Stud Wiring Suggestion



5 Routing the input

- Refer to "Wiring Connection" section in the Installation Manual
- The pedestal is designed for M25 conduit
- The charge point has a rear entry 25mm hole – this is the recommended input. A sealing conduit gland is recommended



The installer must ensure that the chosen wiring method and gland allows appropriate sealing to maintain the IP54 rating

6 Important notes

This document is only a guide and should be read in conjunction with the E & X Series Installation Manual. It does not contain sufficient information to fully install a charging station.

For questions relating to this product, its use or installation, please refer to contact details:

Evnex Ltd.
121 Wrights Rd
Addington
Christchurch 8024
New Zealand

Phone: +64 3 925 9879
Email: support@evnex.com
Web: www.evnex.com