

Physical

Stainless grade	316
Height	1350mm

Model Numbers

10166	Single charge point mount
10167	Dual charge point mount

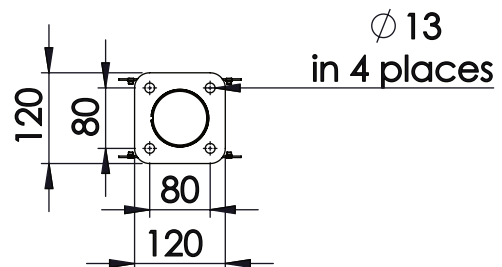
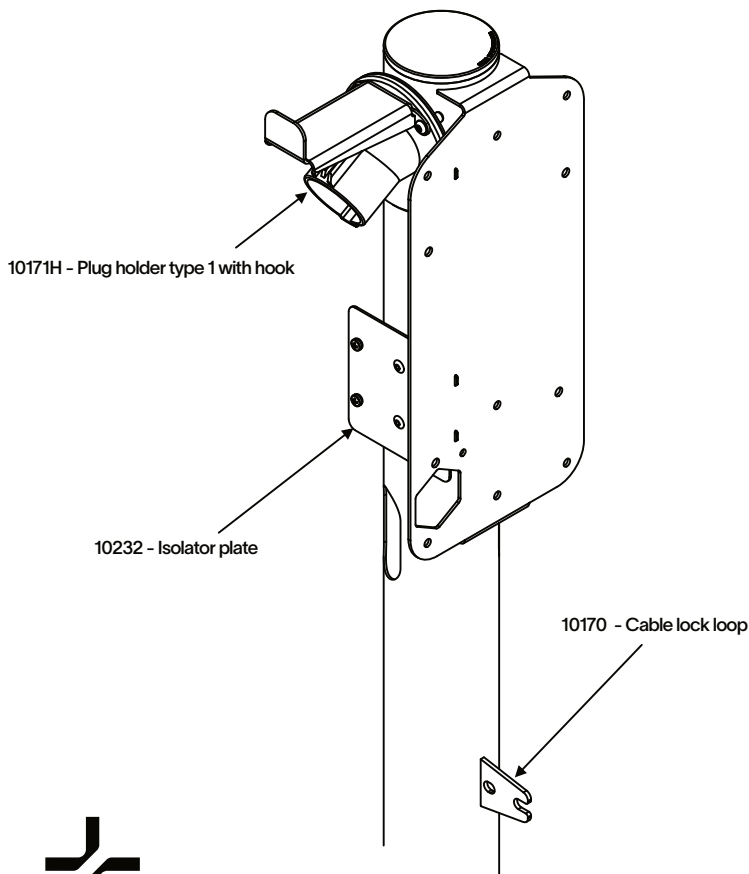
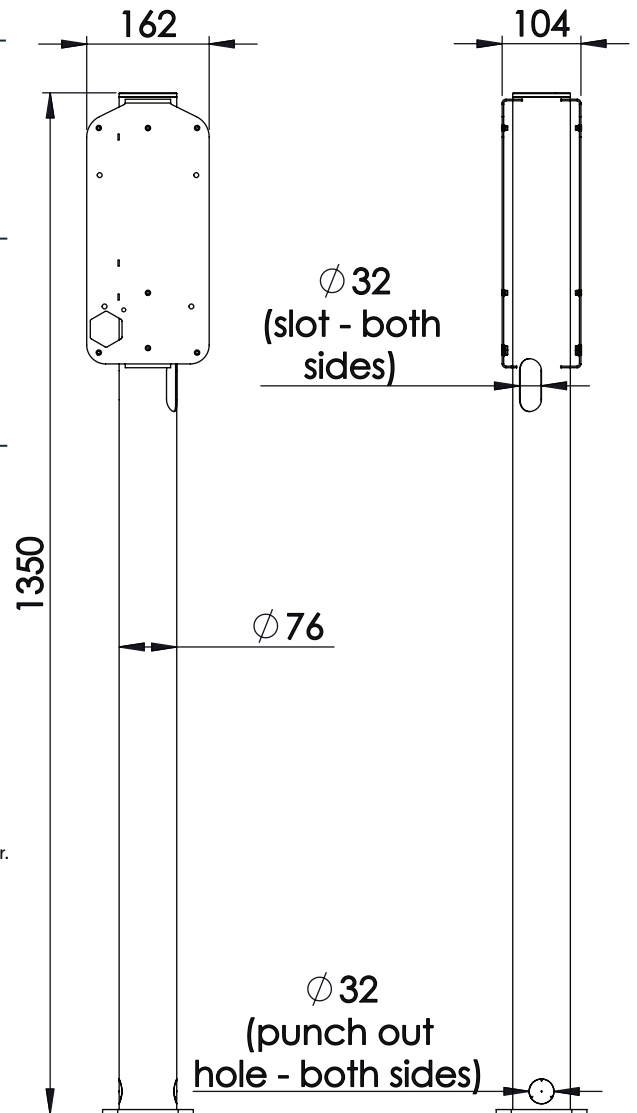
Optional Extras*

10170	Cable lock loop	3mm 316SS (padlock not included)
10171	Plug holder type 1	Mounted to riveted 316SS plate
10171H	Plug holder type 1 with hook	Mounted to riveted 316SS plate
10172	Plug holder type 2	Mounted to riveted 316SS plate
10172H	Plug holder type 2 with hook	Mounted to riveted 316SS plate
10232	Isolator plate	To suit PDL 56 Series**

NOTES:

*Adding "Optional Extras" to an installation at a later date is possible but may incur extra cost or installation work. Custom solutions may be available depending on your requirements.

**Using an isolator and a type 2 plug holder can cause interference between the cable plug and the isolator. We either use spacers or provide a different type 2 plug holder for these builds.



*All dimensions in mm

