

## Branded Pedestal Installation Guide - V210927

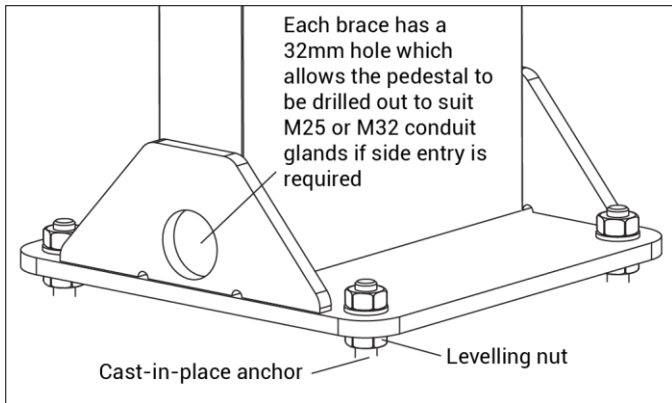
This document is intended as a guide only and should be read along with the E & X Series Instruction Manual. Please refer to appropriate electrical and civil standards as required

As well as standard installation tools, the following is required:

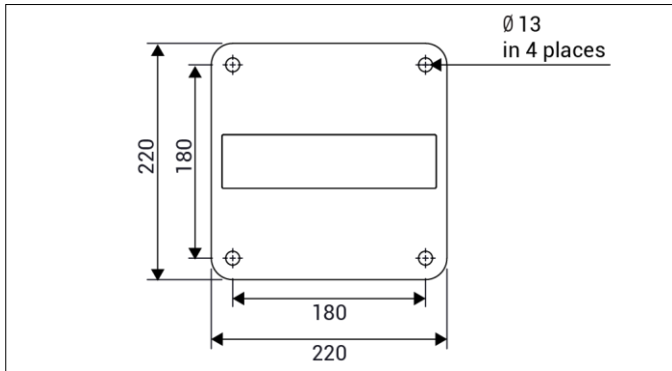
- |   |  |
|---|--|
| <ul style="list-style-type: none"> <li>• 10mm DRILL BIT</li> <li>• 5mm DRILL BIT</li> </ul> | <ul style="list-style-type: none"> <li>• T20 TORX SECURITY BIT</li> <li>• 8mm SPANNER OR SOCKET</li> </ul> |
|---|--|

### 1 Mounting the pedestal

M10 or M12 fastening anchors may be used to secure the pedestal. Cast-in-place anchors with levelling nuts are recommended.



#### Base Flange Dimensions



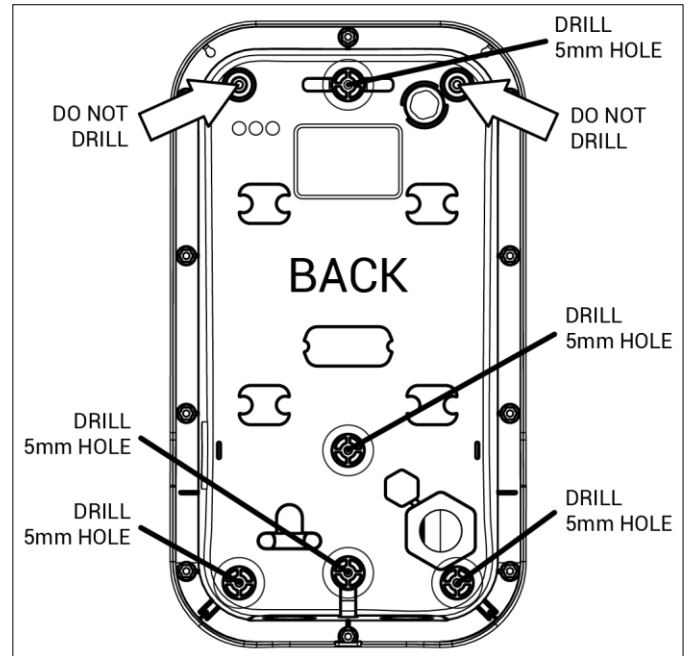
### 2 Preparing the charge point

Place the unit on a soft surface to prevent marking the unit while drilling the holes. The Branded pedestal requires 5 holes to be drilled, including a 10mm hole for the included earth stud.

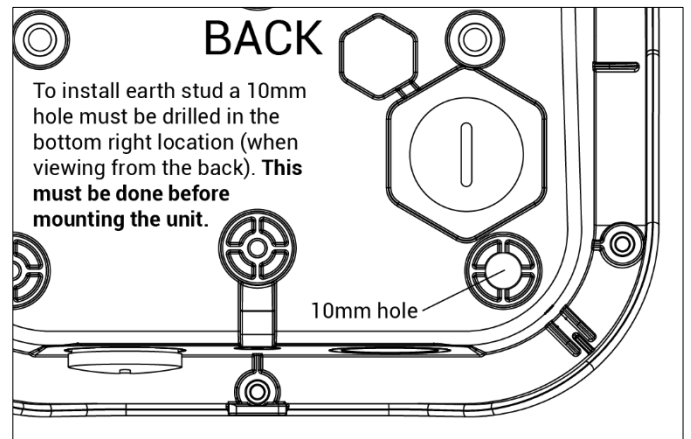


Drilling too deep into the unit may cause the drill to damage wires. A depth stop or insulation tape on the drill bit can prevent this.

Drill 5 x 5mm holes as specified above right:



Drill the 10mm earth stud hole as shown below:



### 3 Routing the input

- Refer to "Wiring Connection" section in the Installation Manual.
- The pedestal is designed for M25 or M32 conduit. If the input is not routed through the bottom, side access is possible but will need to be drilled. See section 1.
- The charge point has a rear entry 25mm hole – this is the recommended input. A sealing conduit gland is recommended.

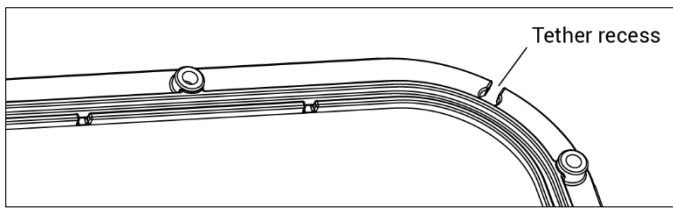


The installer must ensure that the chosen wiring method and gland allows appropriate sealing to maintain the IP54 rating

### 4 Mounting the charge point

After ensuring the mounting holes have been drilled, remove the cover using a T20 torx security bit. Brush or blow out plastic swarf from the unit as it could prevent water-tight installation of the sealing plugs and the front cover.

The tether securing the cover may be looped onto the tether recess in the top right corner of the enclosure to aid in the ease of installation.



- Ensure that the M5 cap screw is installed as shown in the "Mounting Charge Point" image below.
- Mount the unit as below using the provided M4 x 16 screws and nylon washers.

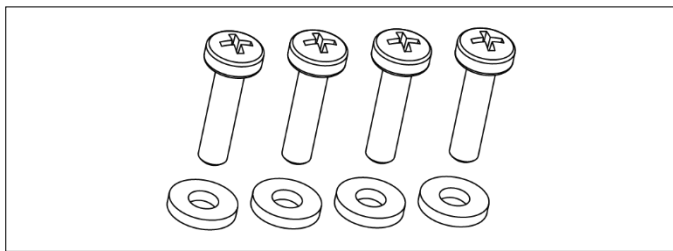


The provided nylon washers should be used to improve sealing of the unit

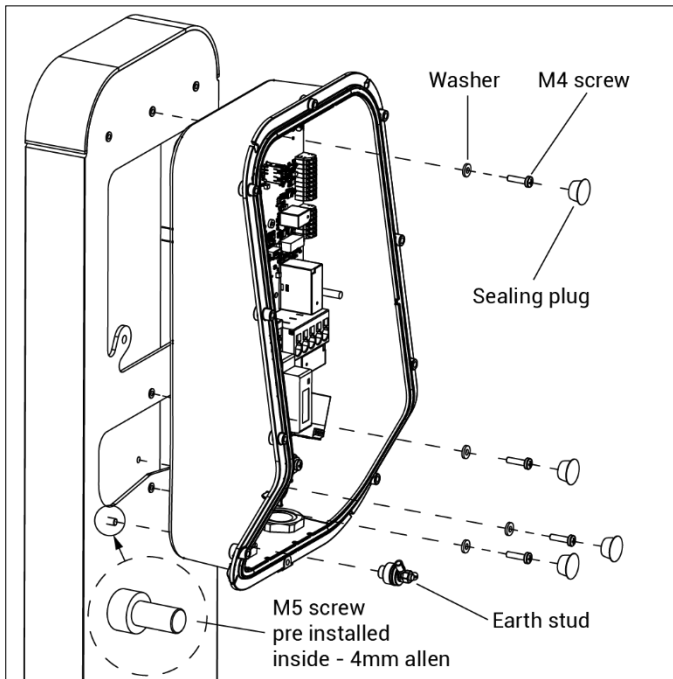


The earth stud area where the M5 cap screw exits (8mm diameter) should always be free of paint, stickers, vinyl wrap etc to ensure good conductivity

#### 4 x M4 x 16 Screws & Nylon Washers



#### Mounting Charge Point



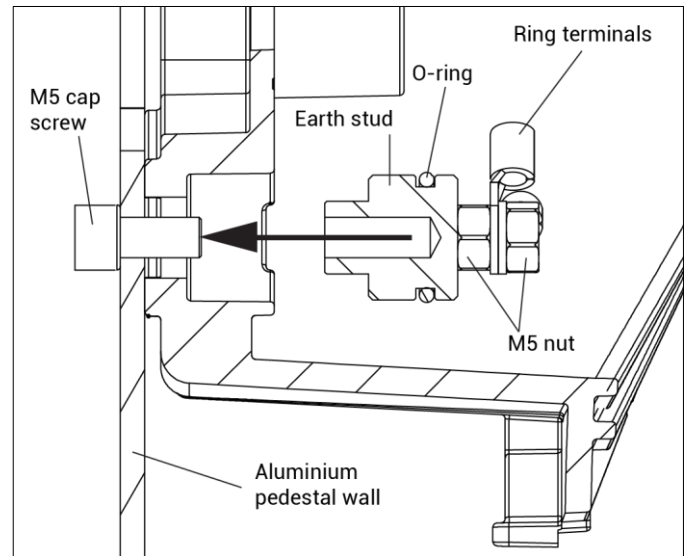
### 5 Installing the earth stud

- Ensure the 10mm hole is drilled as shown in section 2 and that the unit is fully mounted as shown above.
- Check the O-ring is installed on the earth stud and that there is no swarf in the sealing recess around the 10mm hole.
- Install the stud by screwing it into the M5 cap screw and the sealing recess in the unit – use the supplied nut to tighten the earth stud. **DO NOT OVERTIGHTEN** – excessive force may strip aluminium threads.
- This process creates a reliable earth connection to pedestal – see "Earth Stud Installation Cross Section" image.

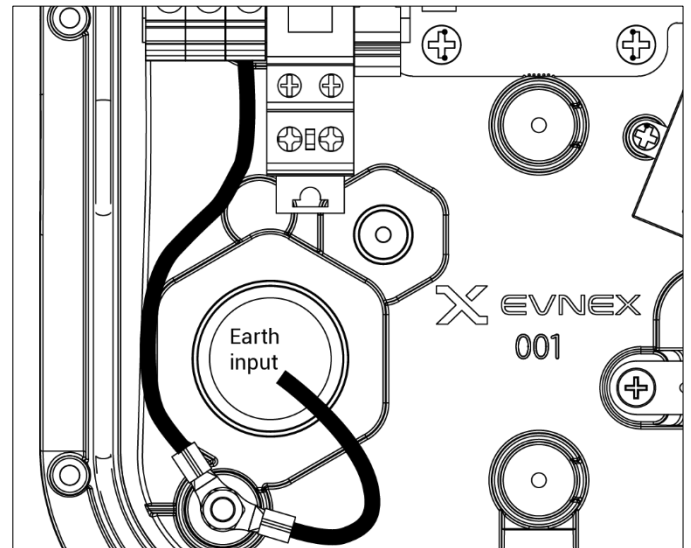


The earth stud can be removed by tightening the two nuts against each other and turning the bottom nut

#### Earth Stud Installation Cross Section



#### Earth Stud Wiring Suggestion



### 6 Important notes

This document is only a guide and should be read in conjunction with the E & X Series Installation Manual.

For questions relating to this product, its use or installation, please refer to contact details:

Evnex Ltd.  
121 Wrights Rd  
Addington  
Christchurch 8024  
New Zealand

Phone: +64 3 925 9879  
Email: support@evnex.com  
Web: www.evnex.com