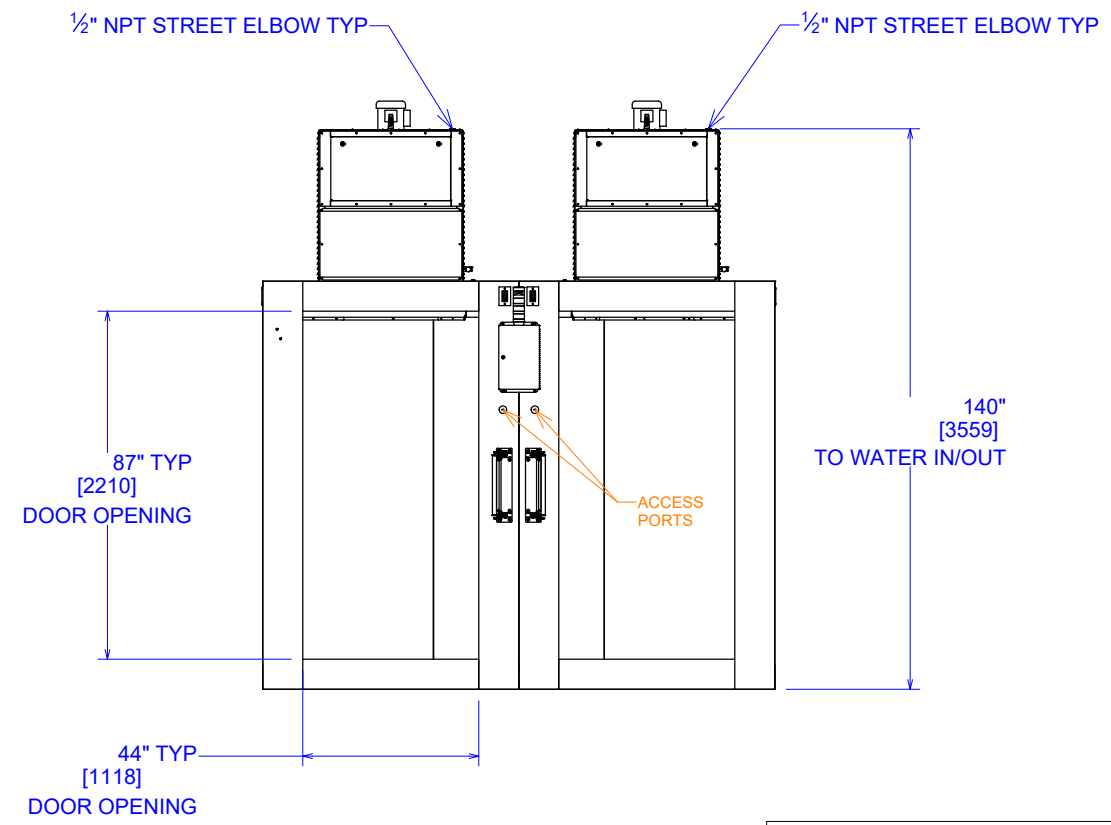
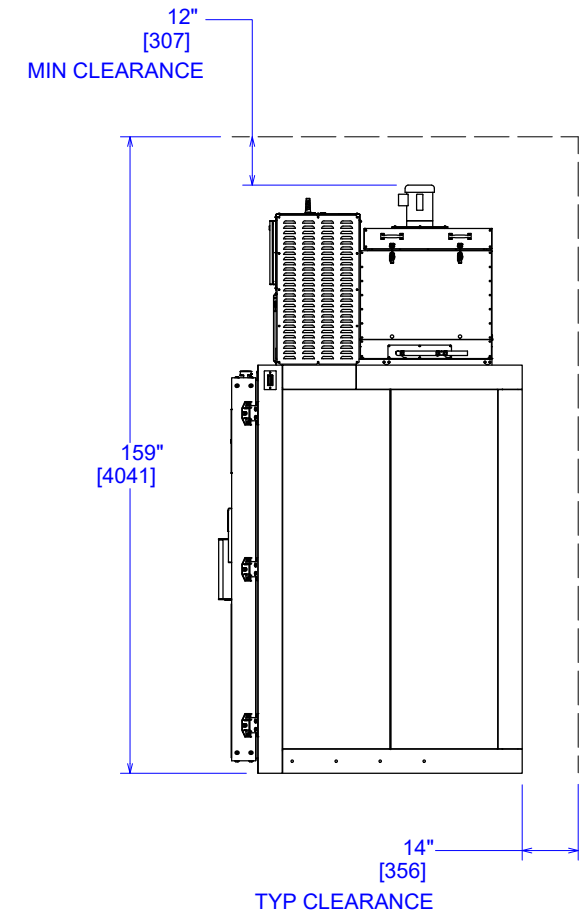
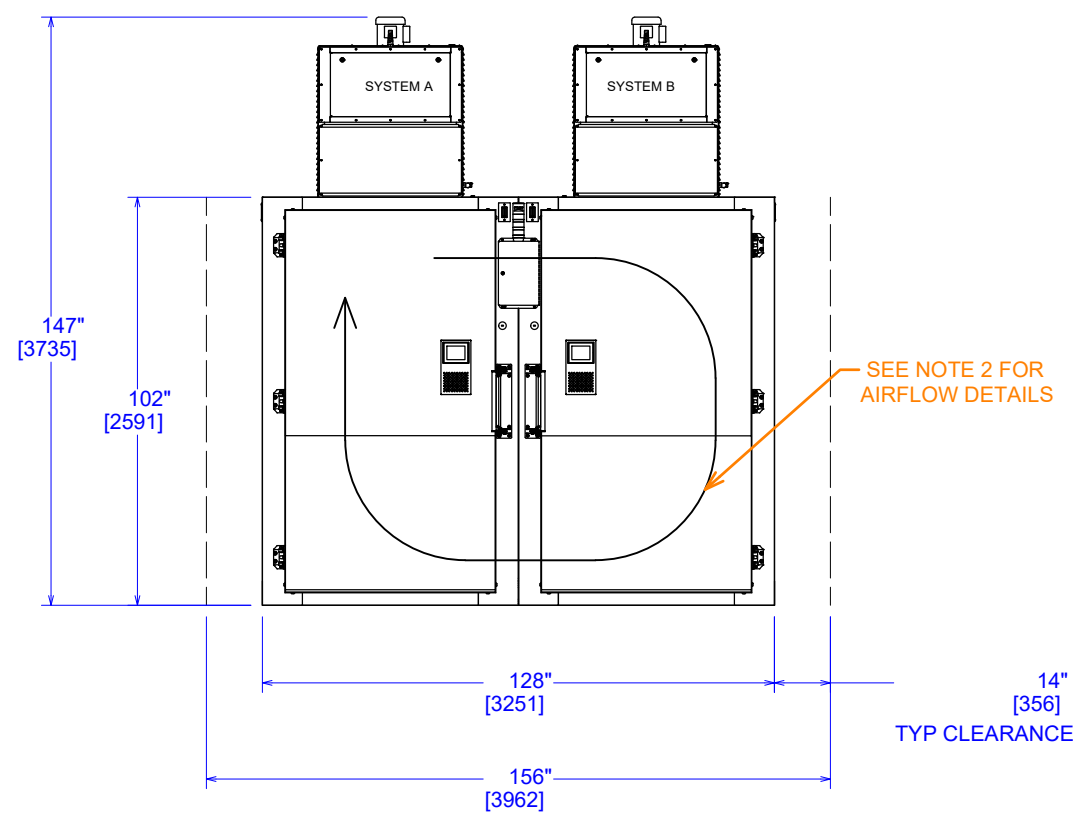
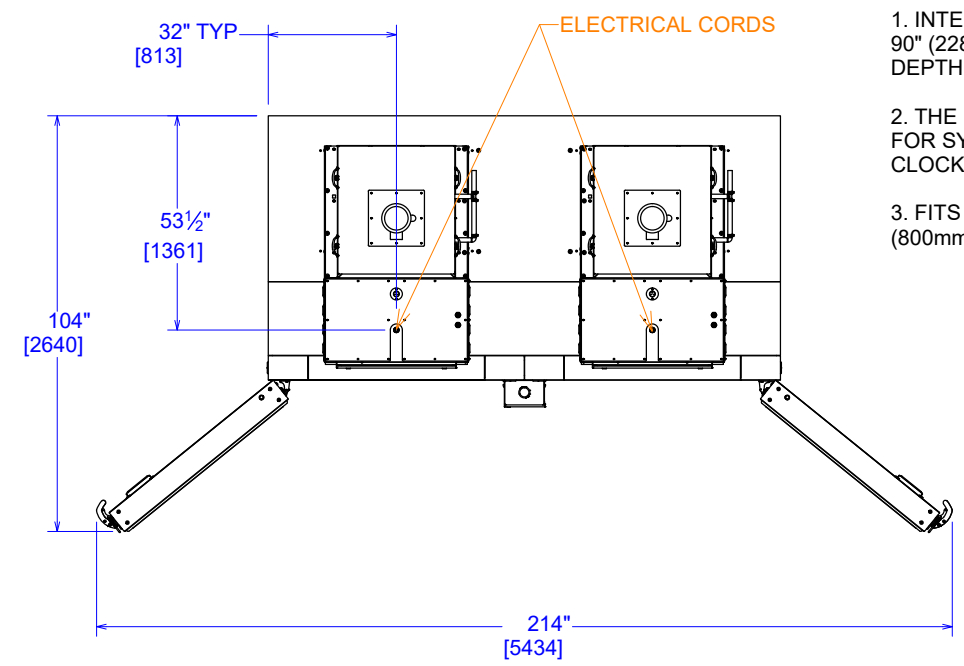
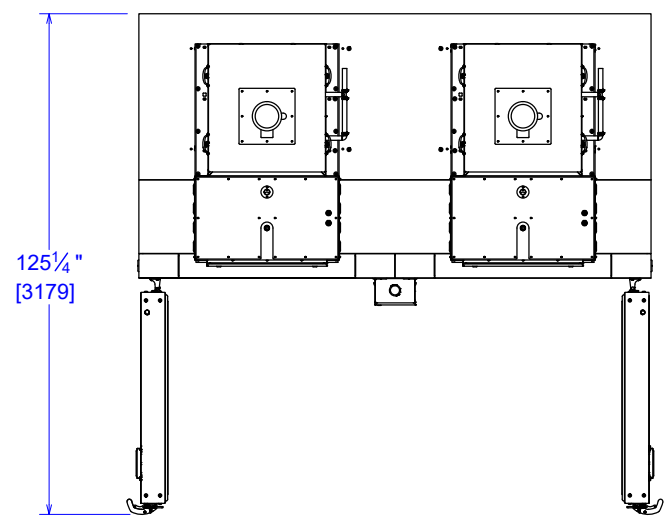
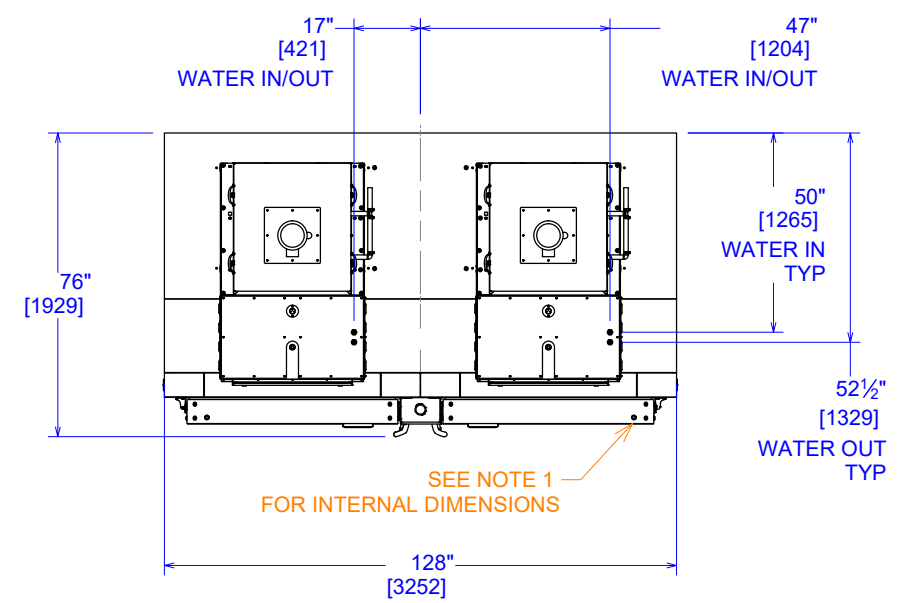


GENERAL NOTES:

- INTERNAL BOX DIMENSIONS:
90" (2286) HEIGHT X 116" (2946.4) WIDTH X 54" (1371) DEPTH
- THE INTERNAL FORCED AIR CIRCULATION SHOWN IS FOR SYSTEM "A" (CLOCKWISE). SYSTEM "B" (COUNTER CLOCKWISE) IS A MIRROR TO SYSTEM "A".
- FITS BOTH STANDARD U.S. (40" x 48") AND EUROPEAN (800mm x 1200mm) PALLET SIZES.



REVISION HISTORY				
REV	DESCRIPTION	BY	DATE	APPROVED
2	INCREASED WIDTH BY 6"	JDS	1/29/2021	TAL
1	CHANGED ORIENTATION	BTI	6/12/2020	TAL
0	INITIAL RELEASE	BTI	6/9/2020	TAL

POWER REQUIREMENTS

UNIT	ELECTRICAL REQUIREMENTS	BREAKER SIZE	PLUG SPEC	RECEPTACLE SPEC
ULC-P (DOMESTIC)	230 VAC - 1 PHASE - 60 HZ 24 FLA: 2 WIRES + GND	30A	NEMA L6-30P, LOCKING PLUG	L6-30P FEMALE RECEPTACLE/CONNECTOR, 2 L, 1GND
ULCI-P (INTERNATIONAL)	230 VAC - 1 PHASE - 50HZ 24 FLA: 2 WIRES + GND	30A	IEC 60309 6 HOUR PLUG, 2P 3W	IEC 60309- 6 HOUR RECEPTACLE/CONNECTOR, 2P 3W (1L, 1N, 1GND)

TOLERANCES

.x ±.1
.xx ±.03
.xxx ±.015
.xxxx ±.005
ANGLE ±1°
FRACTIONAL ±1/16
DIMENSIONS ARE IN INCHES UNLESS OTHERWISE SPECIFIED

THIS DOCUMENT CONTAINS PROPRIETARY INFORMATION AND SUCH IS NOT TO BE DISCLOSED TO OTHERS FOR ANY PURPOSE OR USED FOR MANUFACTURING PURPOSES WITHOUT THE WRITTEN PERMISSION OF FARRAR SCIENTIFIC.



ULC-P OVERALL DIMENSIONS

SIZE	DWG NO	REV
B	INDUSTRIAL ULC-P-WC	2
DRAWN BY B.IRWIN	DRAWN DATE 7/6/2020	
APPROVED BY T. LYDIC	APPROVAL DATE 7/6/2020	
REFERENCE N/A	SCALE 1/48	SHEET 1 OF 1