

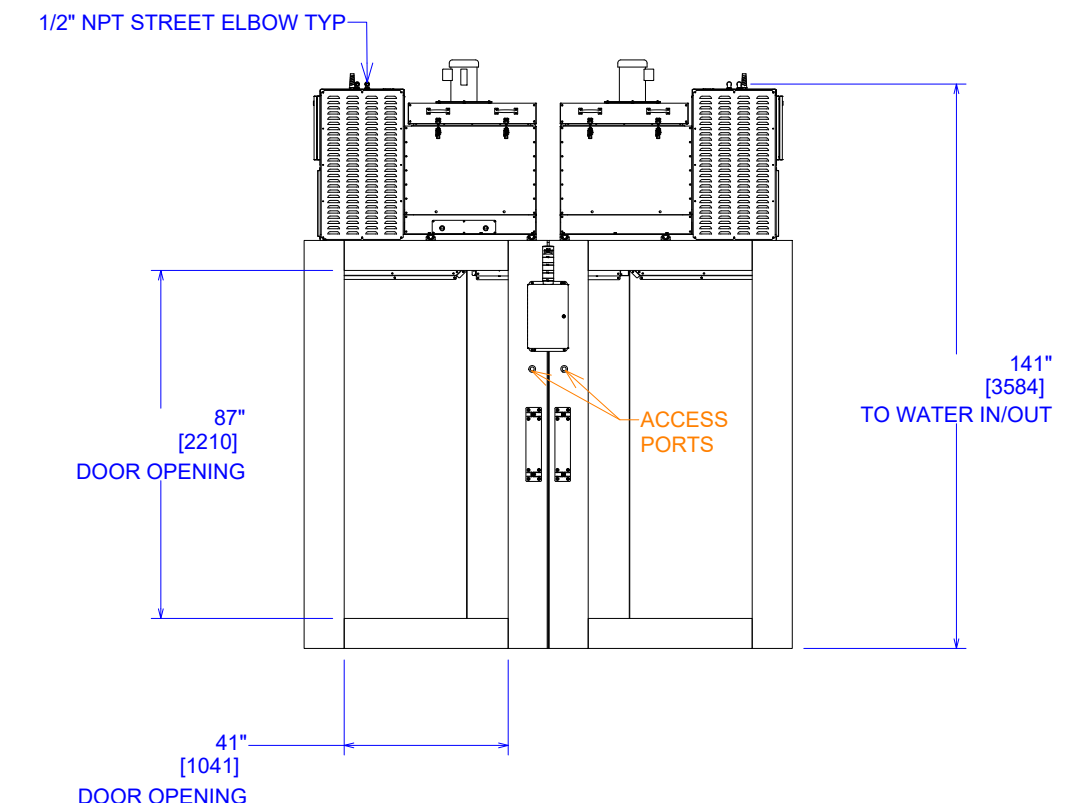
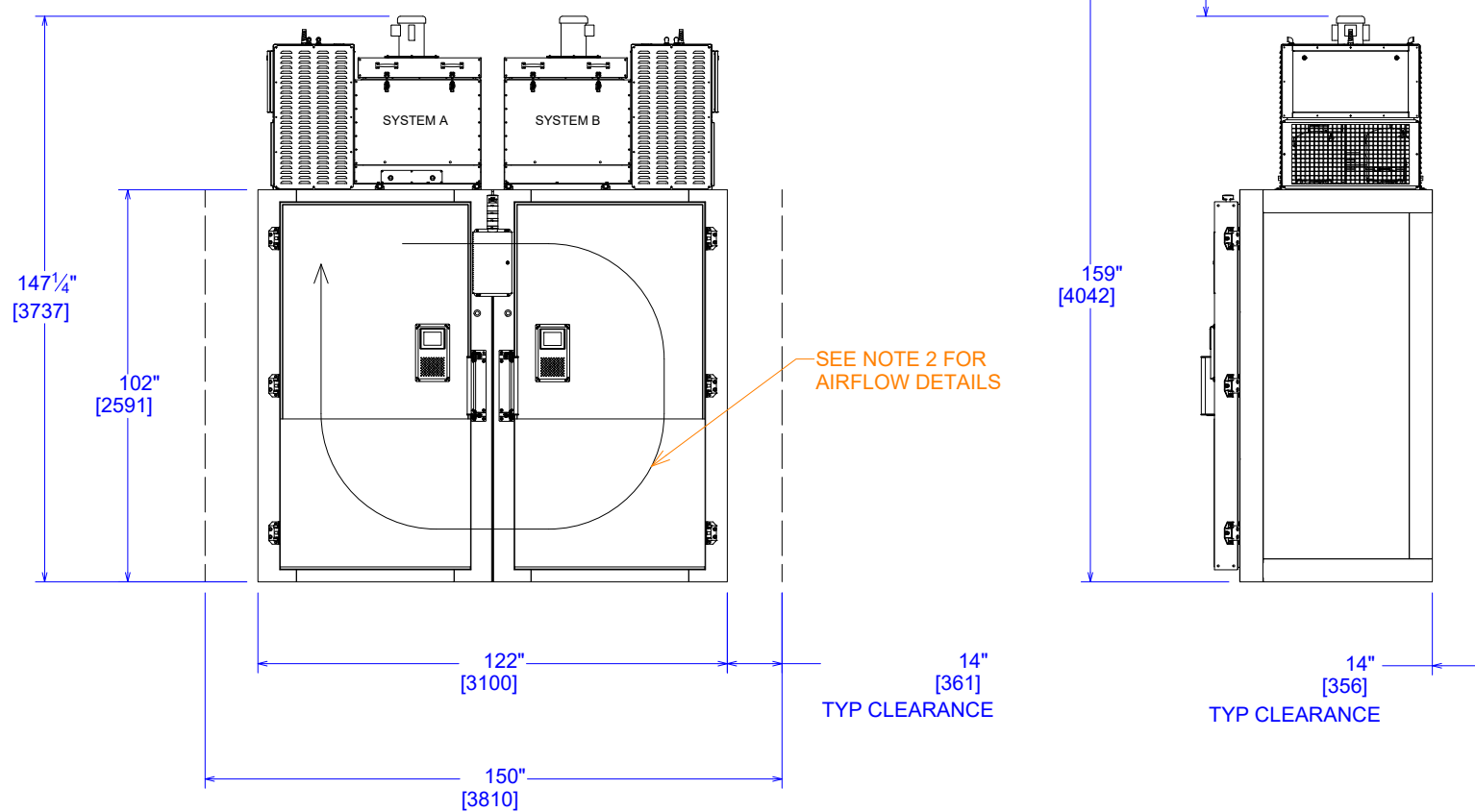
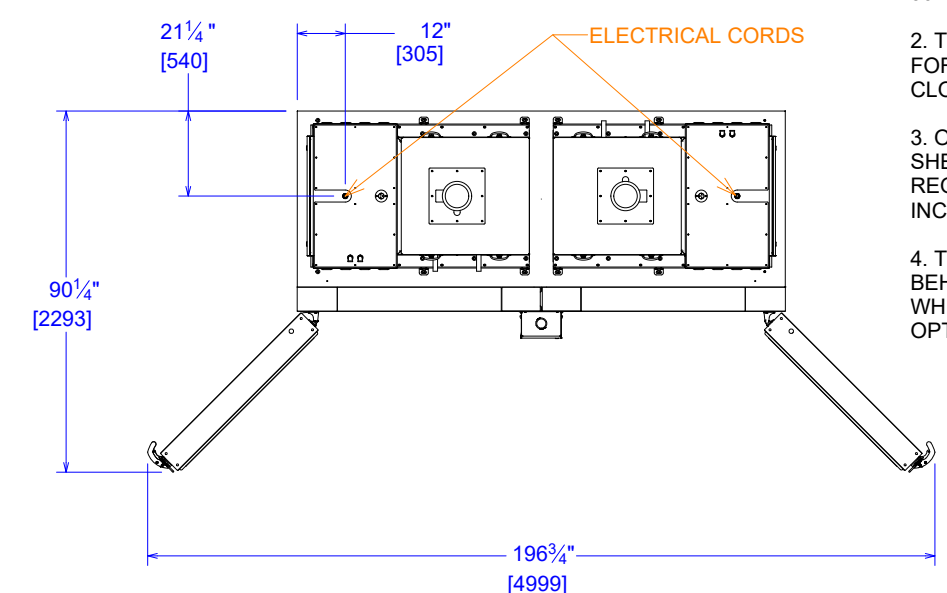
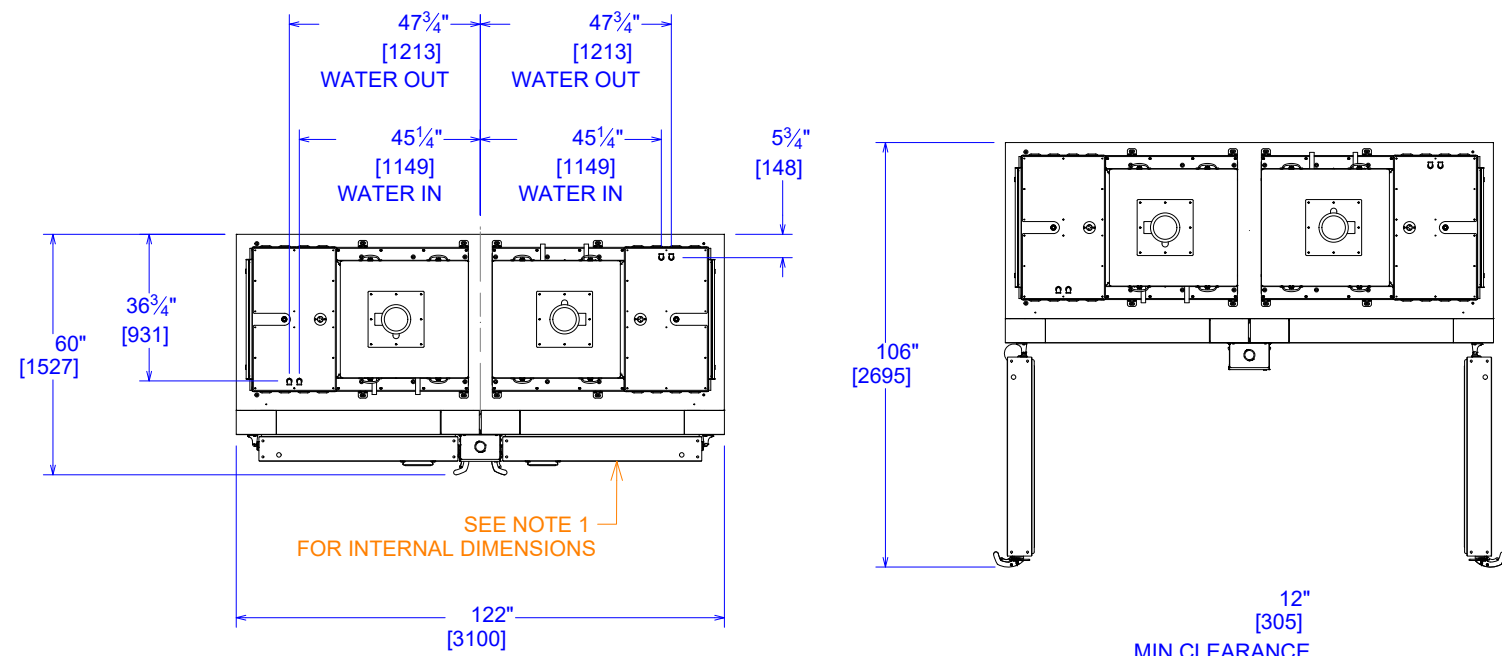
GENERAL NOTES:

1. INTERNAL BOX DIMENSIONS:
90" (2286) HEIGHT X 110" (2794) WIDTH X 38" (965) DEPTH

2. THE INTERNAL FORCED AIR CIRCULATION SHOWN IS FOR SYSTEM "A" (CLOCKWISE). SYSTEM "B" (COUNTER CLOCKWISE) IS A MIRROR TO SYSTEM "A".

3. OPTIONAL SHELVING INCLUDES SIX OPEN WIRE 304 SS SHELVES. SOLID SHELVES ARE ALSO AVAILABLE UPON REQUEST. SHELF HEIGHT IS FIELD ADJUSTABLE IN 1" INCREMENTS.

4. THREE STANDARD INNER DOORS ARE PROVIDED BEHIND EACH MAIN DOOR TO MINIMIZE AIR EXCHANGE WHEN ACCESSING SHELVES. A FOUR AND SIX DOOR OPTION ARE ALSO AVAILABLE UPON REQUEST.



| REVISION HISTORY | | | | |
|------------------|-----------------|-----|----------|----------|
| REV | DESCRIPTION | BY | DATE | APPROVED |
| 0 | INITIAL RELEASE | BTI | 6/9/2020 | TAL |

POWER REQUIREMENTS

| UNIT | ELECTRICAL REQUIREMENTS | BREAKER SIZE | PLUG SPEC | RECEPTACLE SPEC |
|----------------------|--|--------------|---------------------------------|--|
| ULC (DOMESTIC) | 230 VAC - 1 PHASE - 60 HZ 24 FLA: 2 WIRES + GND | 30A | NEMA L6-30P, LOCKING PLUG | L6-30P FEMALE RECEPTACLE/CONNECTOR, 2 L, 1GND |
| ULCi (INTERNATIONAL) | 230 VAC - 1 PHASE - 50HZ 24 FLA: 2 WIRES + GND | 30A | IEC 60309 6 HOUR PLUG, 2P 3W | IEC 60309- 6 HOUR RECEPTACLE/CONNECTOR, 2P 3W (1L, 1N, 1GND) |

TOLERANCES

| |
|---|
| .x ±.03 |
| .xx ±.015 |
| .xxx ±.005 |
| ANGLE ±1° |
| FRACTIONAL ±1/16 |
| UNLESS OTHERWISE SPECIFIED, DIMENSIONS ARE IN INCHES |

THIS DOCUMENT CONTAINS PROPRIETARY INFORMATION AND SUCH IS NOT TO BE DISCLOSED TO OTHERS FOR ANY PURPOSE OR USED FOR MANUFACTURING PURPOSES WITHOUT THE WRITTEN PERMISSION OF FARRAR SCIENTIFIC.



ULC-WC OVERALL DIMENSIONS

| SIZE | DWG NO | REV |
|--------------------------|-------------------|----------------------------|
| B | INDUSTRIAL ULC-WC | 0 |
| DRAWN BY B. IRWIN | | DRAWN DATE 3/27/2020 |
| APPROVED BY T. LYDICK | | APPROVAL DATE 3/27/2020 |
| REFERENCE | SCALE 1/48 | SHEET 1 OF 1 |