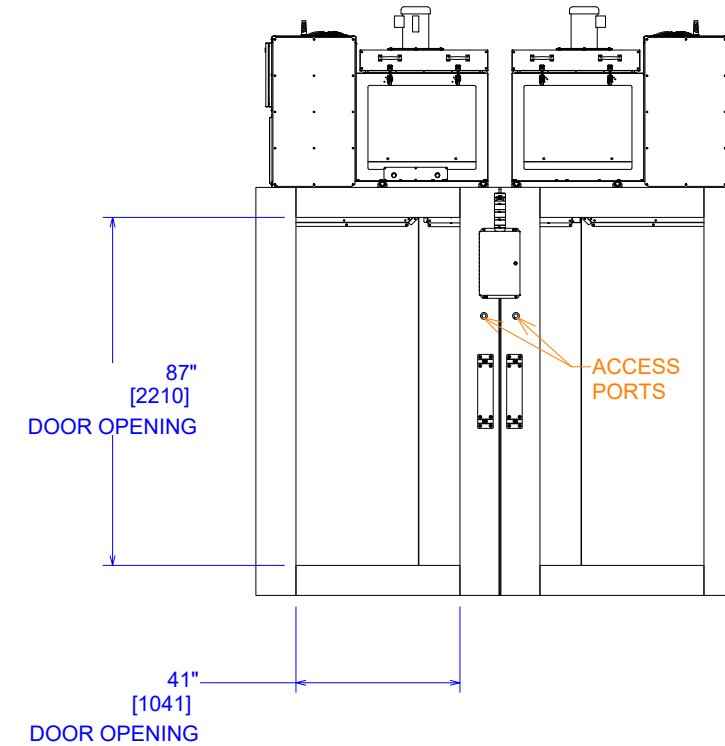
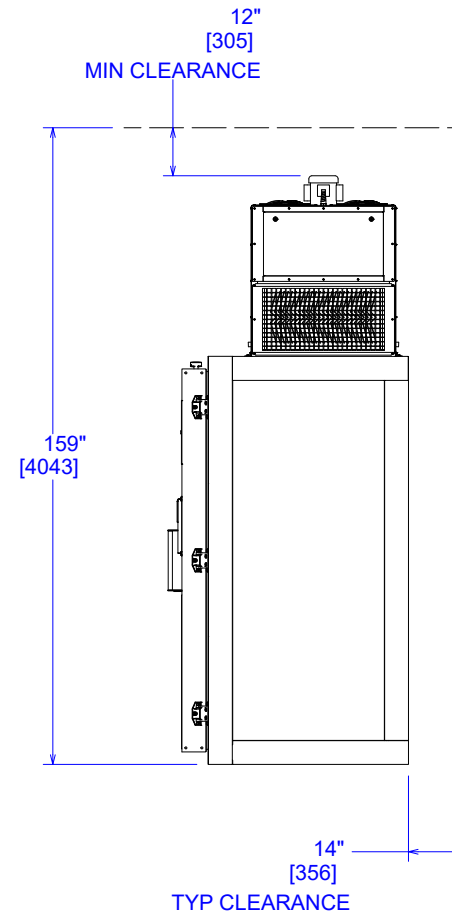
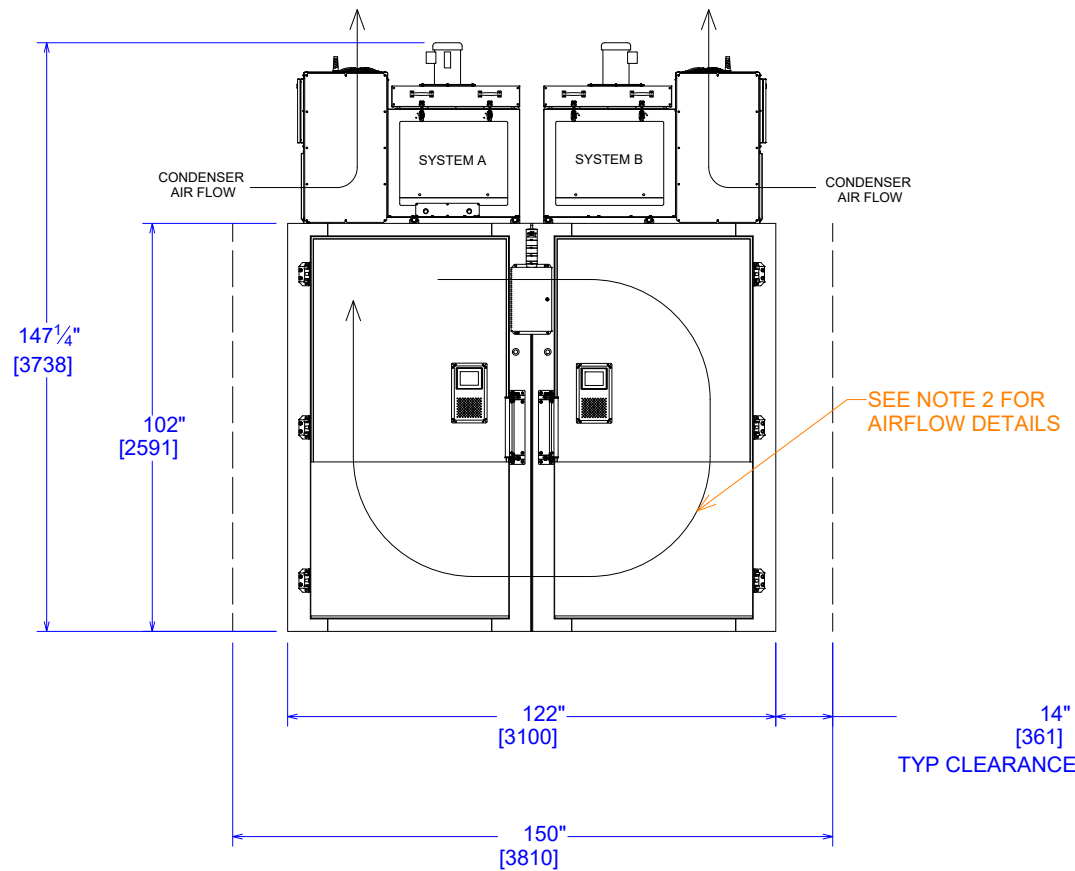
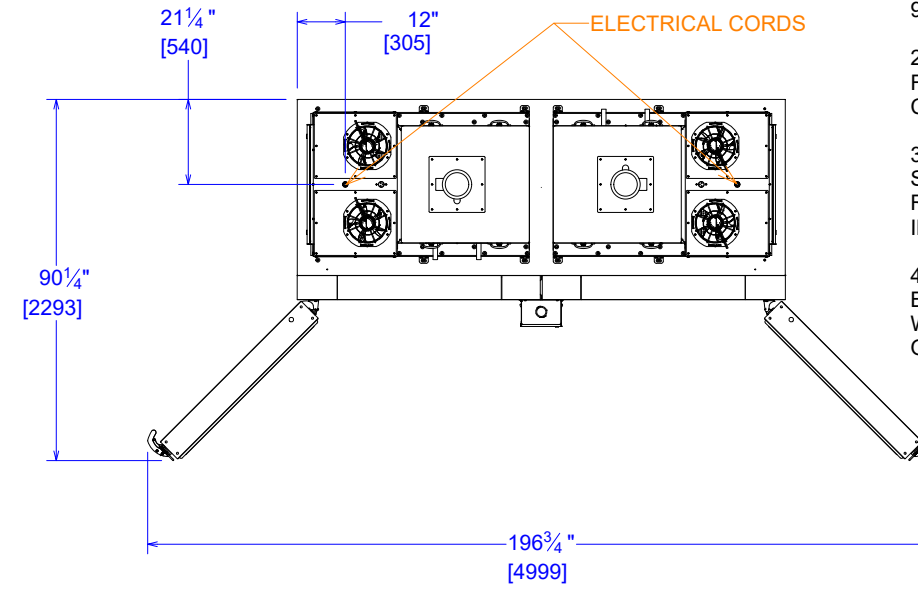
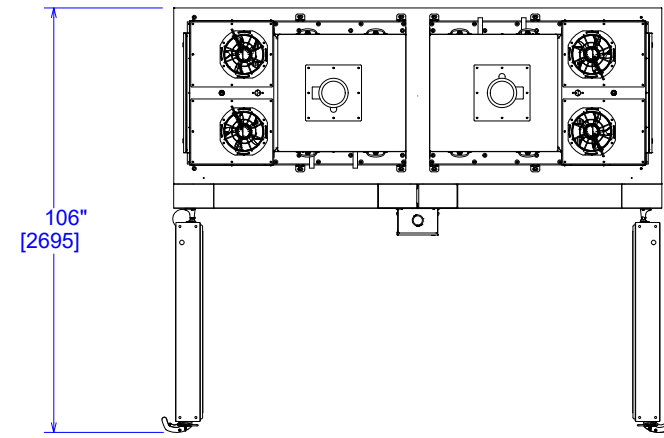
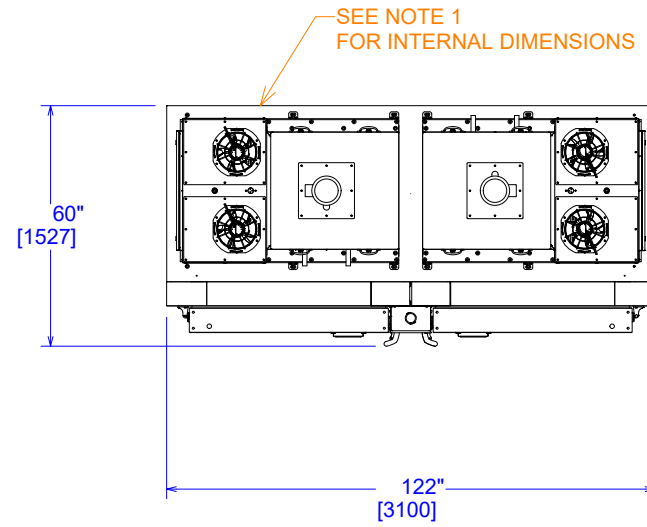


GENERAL NOTES:

- INTERNAL BOX DIMENSIONS: 90" (2286) HEIGHT X 110" (2794) WIDTH X 38" (965) DEPTH
- THE INTERNAL FORCED AIR CIRCULATION SHOWN IS FOR SYSTEM "A" (CLOCKWISE). SYSTEM "B" (COUNTER CLOCKWISE) IS A MIRROR TO SYSTEM "A".
- OPTIONAL SHELVING INCLUDES SIX OPEN WIRE 304 SS SHELVES. SOLID SHELVES ARE ALSO AVAILABLE UPON REQUEST. SHELF HEIGHT IS FIELD ADJUSTABLE IN 1" INCREMENTS.
- THREE STANDARD INNER DOORS ARE PROVIDED BEHIND EACH MAIN DOOR TO MINIMIZE AIR EXCHANGE WHEN ACCESSING SHELVES. A FOUR AND SIX DOOR OPTION ARE ALSO AVAILABLE UPON REQUEST.



REVISION HISTORY				
REV	DESCRIPTION	BY	DATE	APPROVED
1	INCREASED BOX DEPTH	SJM	4/14/2020	TAL
0	INITIAL RELEASE	SJM	10/21/2019	DSF

POWER REQUIREMENTS

UNIT	ELECTRICAL REQUIREMENTS	BREAKER SIZE	PLUG SPEC	RECEPTACLE SPEC
ULC (DOMESTIC)	230 VAC - 1 PHASE - 60 HZ 24 FLA: 2 WIRES + GND	30A	NEMA L6-30P, LOCKING PLUG	L6-30P FEMALE RECEPTACLE/CONNECTOR, 2 L, 1GND
ULCi (INTERNATIONAL)	230 VAC - 1 PHASE - 50HZ 24 FLA: 2 WIRES + GND	30A	IEC 60309 6 HOUR PLUG, 2P 3W	IEC 60309- 6 HOUR RECEPTACLE/CONNECTOR, 2P 3W (1L, 1N, 1GND)

TOLERANCES

- .x ±.03
- .xx ±.015
- .xxx ±.005
- ANGLE ±1°
- FRACTIONAL ±1/16

UNLESS OTHERWISE SPECIFIED, DIMENSIONS ARE IN INCHES

THIS DOCUMENT CONTAINS PROPRIETARY INFORMATION AND SUCH IS NOT TO BE DISCLOSED TO OTHERS FOR ANY PURPOSE OR USED FOR MANUFACTURING PURPOSES WITHOUT THE WRITTEN PERMISSION OF FARRAR SCIENTIFIC.



30765 ST. RT. 7
MARIETTA, OHIO 45750

ULC OVERALL DIMENSIONS

SIZE	DWG NO	REV
B	INDUSTRIAL ULC	1
DRAWN BY B. IRWIN		DRAWN DATE 3/27/2020
APPROVED BY T. LYDICK		APPROVAL DATE 3/27/2020
REFERENCE	SCALE 1/48	SHEET 1 OF 1