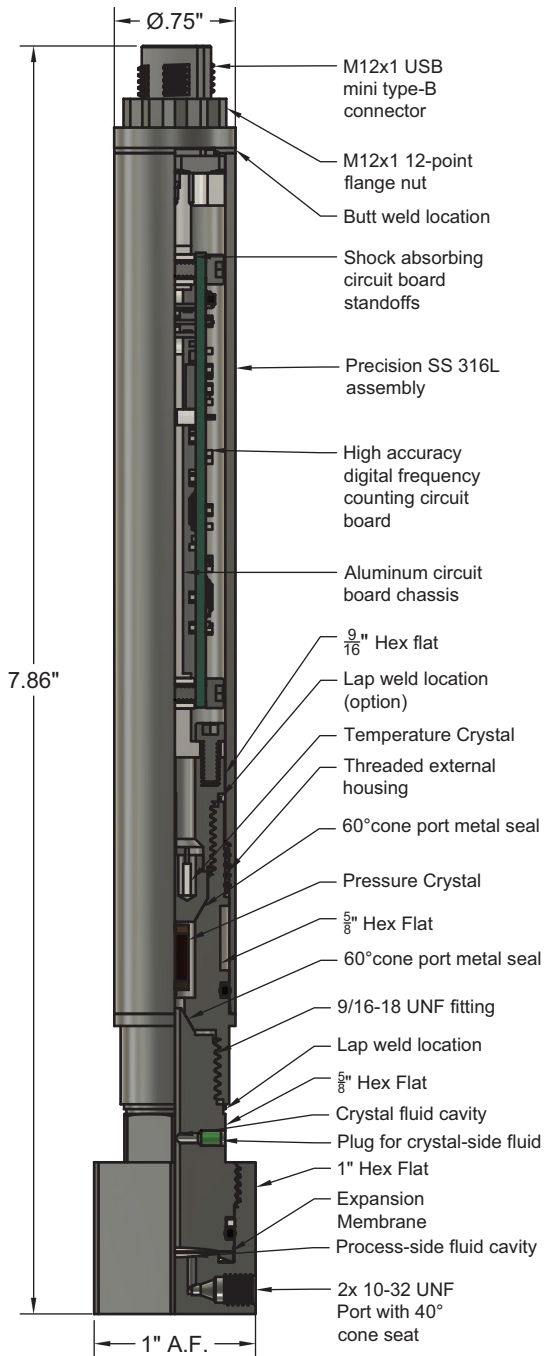


**PHASE ADVANCED SENSOR SYSTEMS
PASSION REFLECTED THROUGH DESIGN**



**MICROFLUIDIC XTALX PRESSURE SENSOR
LUQS1-0000-1111
0000: PRESSURE RATING
1111: TEMPERATURE RATING**



SPECIFICATION HIGHLIGHTS

CALIBRATED RANGE-----50 TO 10000 PSI(3.5 TO 690 BAR)
 CALIBRATED TEMPERATURE RANGE ----- 10° TO 60°C
 PRESSURE ACCURACY ----- 0.02 %FS
 DRIFT @ MAX TEMPERATURE & PRESSURE ----- 0.1%FS/YEAR
 TEMPERATURE ACCURACY ----- 0.05°C
 DRIFT @ MAX TEMPERATURE & PRESSURE ----- 0.01°C/YEAR

MECHANICAL SPECIFICATIONS

WEIGHT: 325 GRAMS
 HEIGHT: 200MM (7.86")
 MAXIMUM WIDTH: 25.4MM (1.0")
 PROOF PRESSURE: 103MPA (15,000PSI)
 DEADVOLUME: 0.1ML

ELECTRICAL SPECIFICATIONS

MAXIMUM VOLTAGE RATINGS ----- -0.3 TO 24V DC
 VOLTAGE SUPPLY RANGE ----- 2.7 TO 20V DC
 CURRENT DRAW @ 25°C ----- 24MA
 CURRENT DRAW @ FS TEMP ----- 25MA
 OUTPUT ----- USB 2.0
 ESD ----- IEC 61000-4-2 ±15KV

OSCILLATOR SPECIFICATIONS

NOMINAL REFERENCE FREQUENCY ----- 170MHZ ± 10PPM
 NOMINAL PRESSURE FREQUENCY ----- 52KHZ ± 500HZ
 NOMINAL TEMPERATURE FREQUENCY ----- 262KHZ ± 200HZ

ADDITIONAL SPECIFICATIONS

STORAGE TEMPERATURE ----- -65° TO 85°C
 ACHIEVABLE RESOLUTION ----- 0.002 PSI
 REPEATABILITY ----- 0.01 %FS
 NOMINAL SENSITIVITY ----- 3 PSI/HZ
 RESPONSE TIME ----- 0.1S
 GRAVITATIONAL EFFECTS ----- NEGLIGIBLE
 ORIENTATIONAL EFFECTS ----- NEGLIGIBLE
 ACCELERATION SENSITIVITY ----- NEGLIGIBLE
 STARTUP TIME @ 25°C ----- <1SECOND
 PEAK INRUSH CURRENT @ 25°C ----- 25MA
 STARTUP TIME @ FS TEMP ----- <1S
 PEAK INRUSH CURRENT @ FS TEMP ----- 26MA