

**A:** 0.68" (17.25mm)  
**B:** 0.50" (12.59mm)  
**C:** 0.98" (25.00mm)  
**D:** 0.34" (8.60mm)

## SPECIFICATION

SERIES	DIMENSIONS	CHANNEL TYPE	LENGTH	LENS TYPE
AMC = Aluminum Channel	1707 = 17mm W x 7mm H	R = Recessed Channel	1M = 39" 2M = 78"	C = Clear Lens O = Opal Lens G = Grazer Lens

### PHYSICAL

Material	Anodized Aluminum
Lens Cover	Polycarbonate
Width	A:0.66"(17.00mm)
Inner Width	B:0.48"(12.40mm)
Flange Length	C:0.98"(25.00mm)
Height	D:0.28"(7.19mm)
Length	1 meter (39") or 2 meters (78")

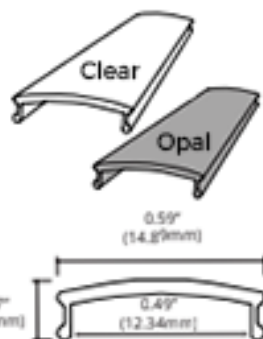
### ACCESSORIES

### PART#

Plastic End Cap	AMC-1707-R-EC
Plastic End Cap w/holes	AMC-1707-R-ECL

### ACCESSORY PHOTOS

**Clear**

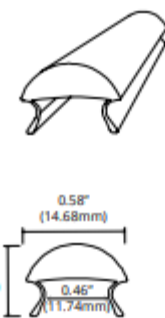


0.59" (14.81mm)

0.17" (4.39mm)

0.49" (12.34mm)

**Opal**

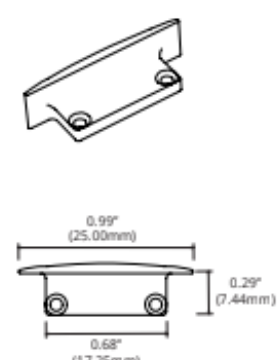


0.58" (14.68mm)

0.39" (10.01mm)

0.46" (11.74mm)

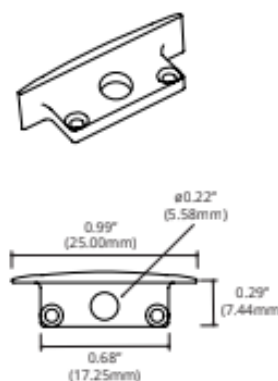
**Grazer Lens**



0.99" (25.00mm)

0.29" (7.44mm)

0.68" (17.25mm)




0.22" (5.58mm)

0.99" (25.00mm)

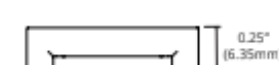
0.29" (7.44mm)

0.68" (17.25mm)

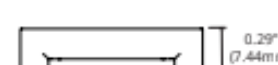
**Beam Spread**



90°



0.25" (6.35mm)



0.29" (7.44mm)

