

SPECIFICATION

| SERIES | DIMENSIONS | CHANNEL TYPE | LENGTH | LENS TYPE |
|------------------------|------------------------|----------------------|----------------------|---------------------------------|
| AMC = Aluminum Channel | 3535 = 35mm W x 35mm H | R = Recessed Channel | 1M = 39" 2M = 78" | C = Clear Lens O = Opal Lens |

PHYSICAL

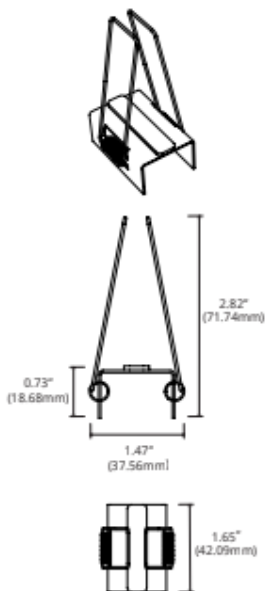
| | |
|-------------------|---------------------------------|
| Material | Anodized Aluminum |
| Lens Cover | Polycarbonate |
| Width | A:1.38"(35.0mm) |
| Inner Width | B:1.02"(25.9mm) |
| Height | C:1.38"(35.0mm) |
| Width with Flange | D:1.97"(50.0mm) |
| Length | 1 meter (39") or 2 meters (78") |

ACCESSORIES

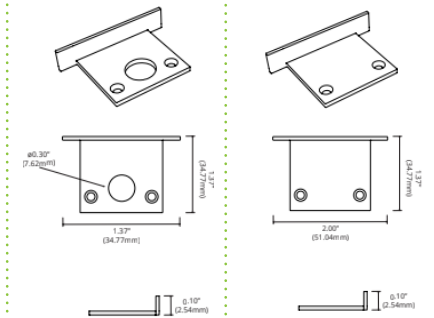
| ACCESSORIES | PART# |
|-------------------------------------|----------------|
| Plastic End Cap | AMC-3535-R-EC |
| Plastic End Cap with wire lead hole | AMC-3535-R-ECL |
| 90 Degree Horizontal Bracket | AMC-3535-B90H |
| 90 Degree Vertical Bracket | AMC-3535-B90V |
| Straight Bracket | AMC-3535-BS |
| Spring Mounting Clip | PL-MC-3535 |

ACCESSORY PHOTOS

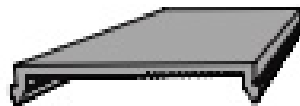
PL-MC-3535



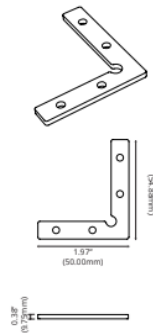
ENDCAPS



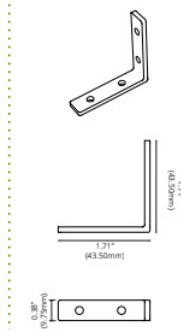
LENS



AMC-3535-B90H



AMC-3535-B90V



AMC-3535-BS

