

Amazon Yard Truck

Front Lower Leg Replacement Procedure



1. Pull front leg out until it stops.
2. Locate the pull safety latch hardware under the body. (View A)
3. Remove hardware & carefully pull the leg out. (View B)
4. Place leg on the ground & remove hardware from top leg. (View C)
5. Unlock locking handle and pull gravity lock out. (View D)
6. Remove the lower leg and place on the ground. (View E)
7. Remove spring inside of the damaged lower leg. (View F)
8. Insert spring inside of new lower leg. (View G)
9. Place the lower leg inside of the top leg. (View H)
10. Insert the bolt in the top hole and fish the spring hook. (View H)
11. Make sure bolt goes all the way through the top leg with the spring attached.
12. Install washer with lock nut.

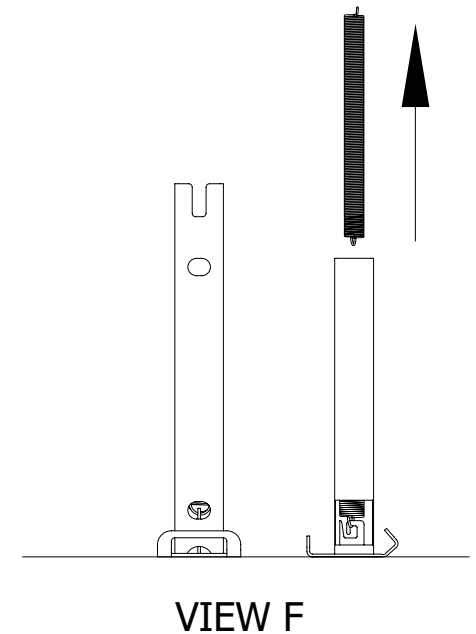
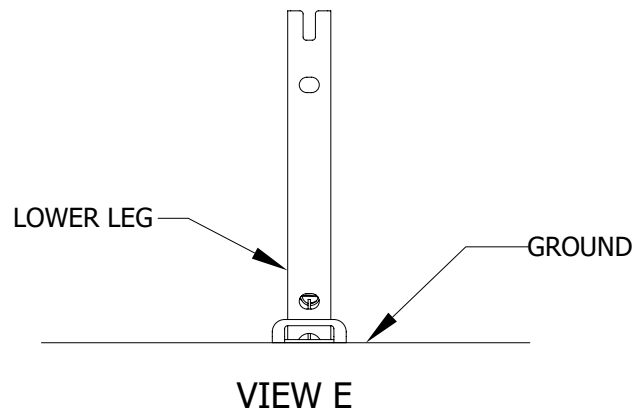
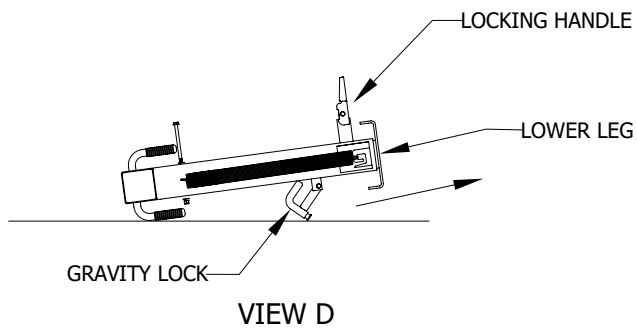
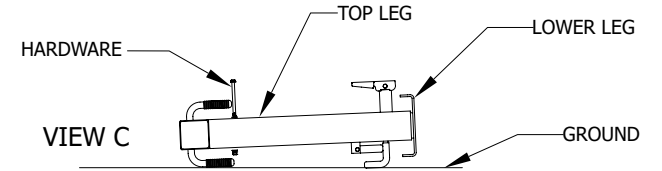
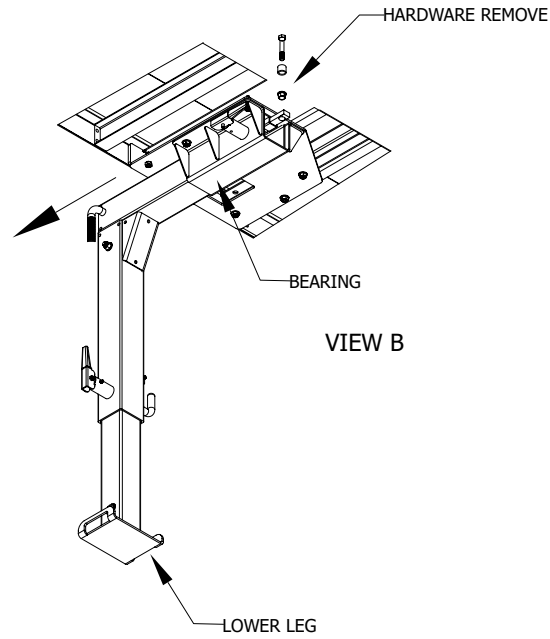
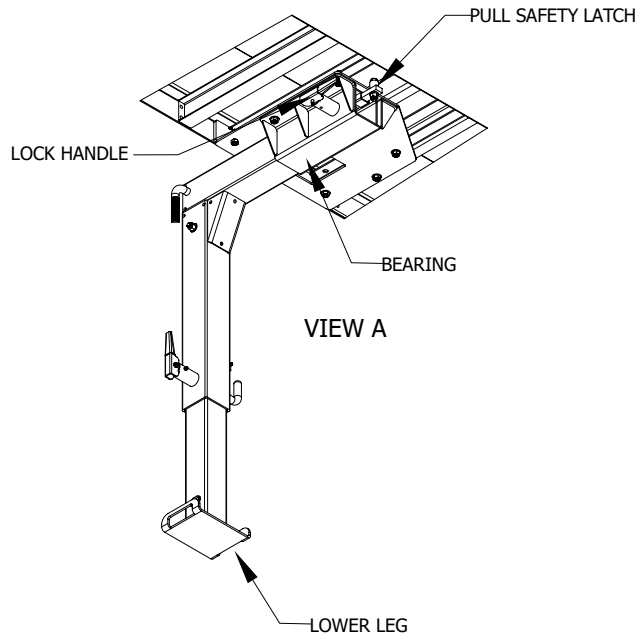
13. *To verify the leg has been properly repaired, perform the following steps:*

14. Pull lower leg by hand slightly.
15. You should feel the spring tension holding the lower leg.
16. If not repeat step 8-14.
17. Lock the locking handle and push gravity lock in. (View I)
18. Place leg into bearing under the body and install hardware from Step 3. (View J)
19. Push leg in and push lock handle to secure leg.

SEE FOLLOWING PAGES FOR DRAWINGS

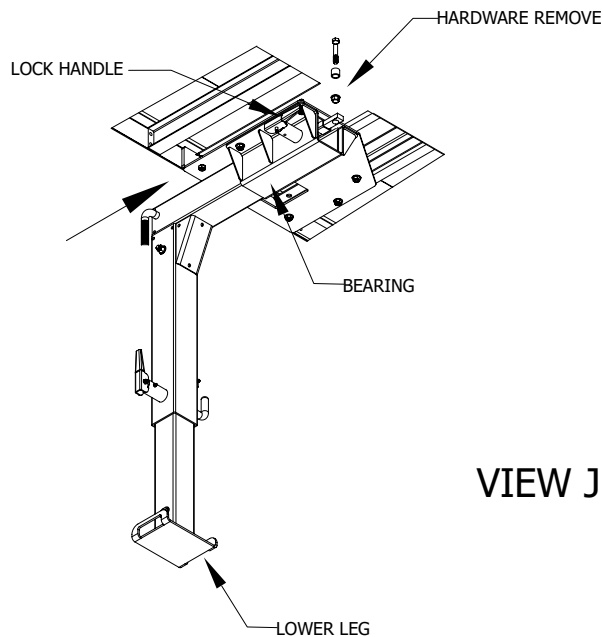
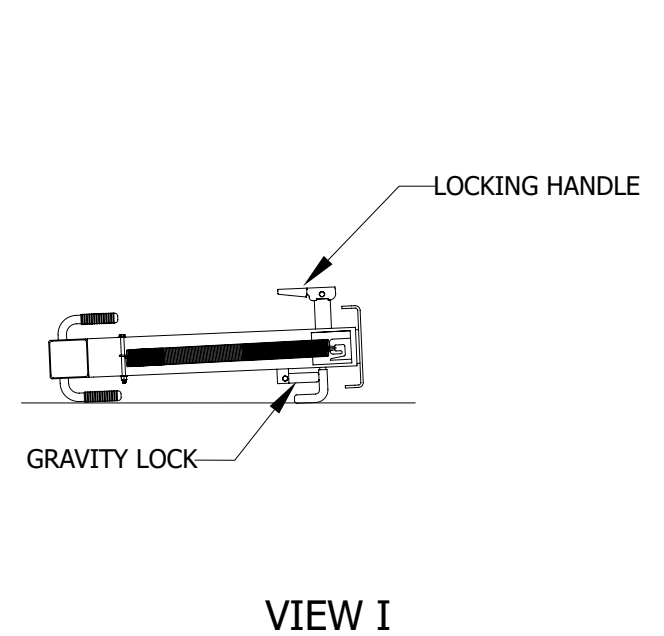
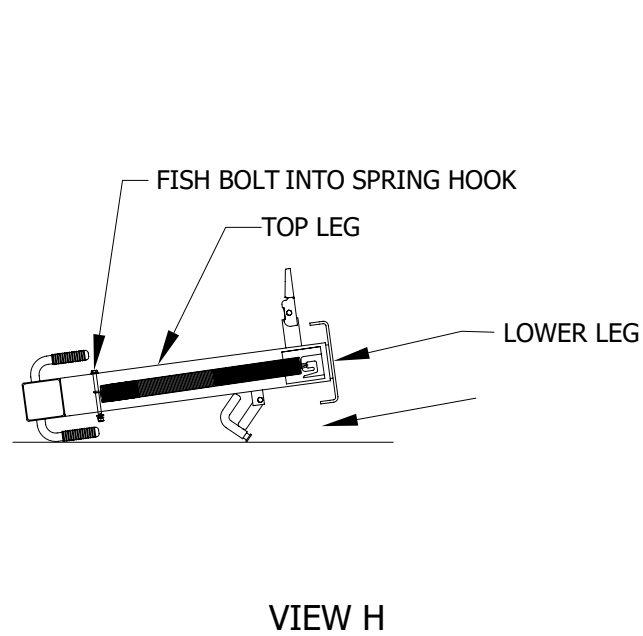
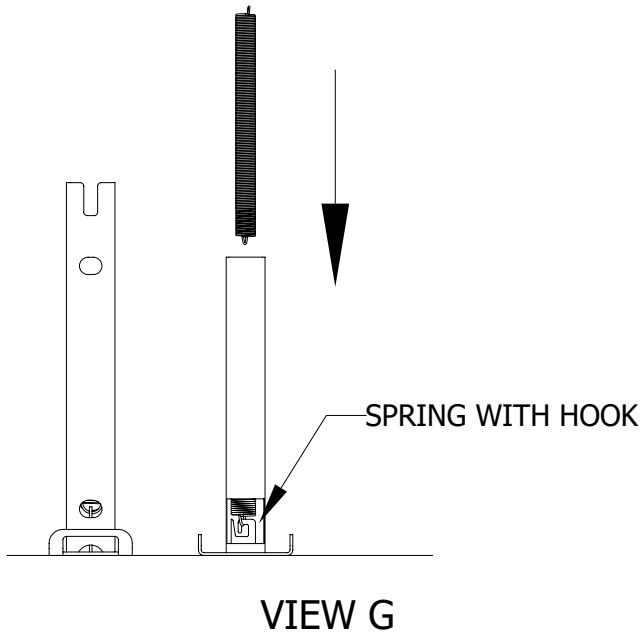
Amazon Yard Truck

Front Lower Leg Replacement Procedure



Amazon Yard Truck

Front Lower Leg Replacement Procedure



For Service and Parts:

Phone: 1-844-364-4021

E-mail: sales@demount.com

Web: demount.com

Demountable Concepts
200 Dr. Leo J. McCabe Blvd.
Glassboro, NJ 08028 USA