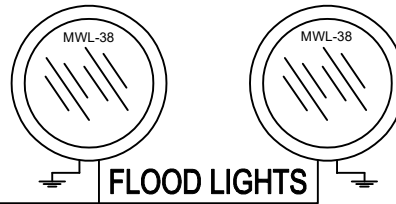
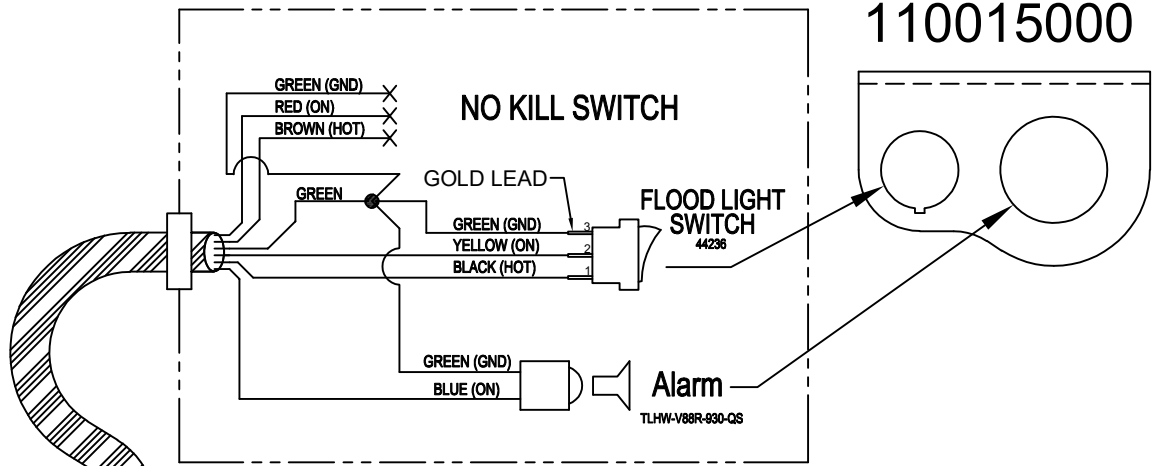
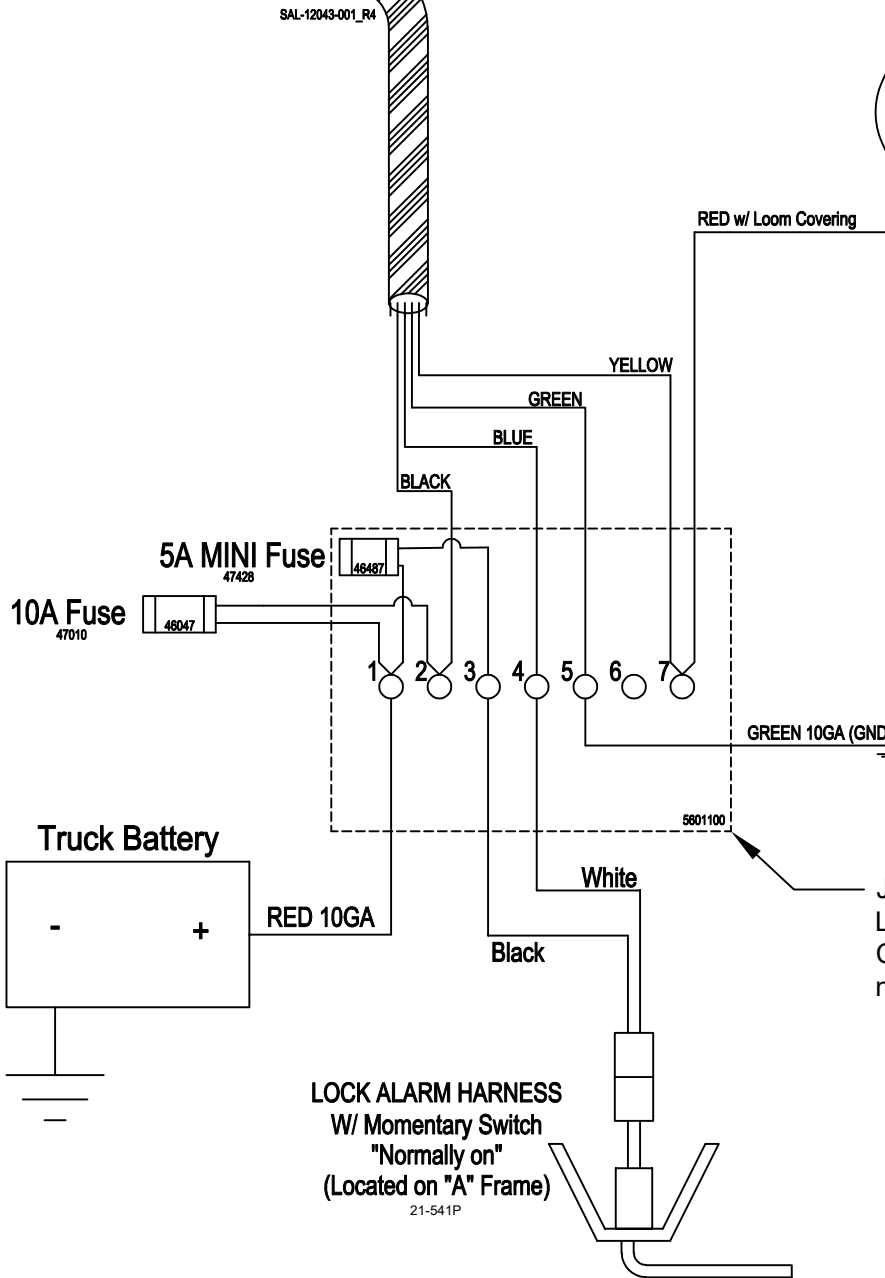
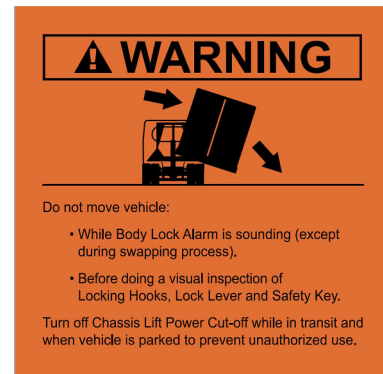


TRUCK CAB / ALARM BRACKET

110015000



WARNING LABEL MUST BE APPLIED TO DASH IN VISIBLE LOCATION.



LOCK ALARM HARNESS  
W/ Momentary Switch  
"Normally on"  
(Located on "A" Frame)  
21-541P

COPYRIGHT 2019 DEMOUNTABLE CONCEPTS, INC.

THIS DRAWING AND THE DATA SHOWN IS PROPRIETARY AND CONFIDENTIAL. DO NOT USE OR REPRODUCE FOR ANY PURPOSE WITHOUT THE WRITTEN CONSENT OF DEMOUNTABLE CONCEPTS, INC.



FINAL ALARM & FLOOD LIGHT WIRING CONNECTIONS  
AIR LIFT SYSTEM  
SINGLE HARNESS ALARM

SIZE <b>A</b>	REV. NO. 7	PART NO. <b>DCI-1000440</b>
DRAWN JPO	DATE 6/27/19	JOB NO.
SCALE		SHEET 1 OF 1