

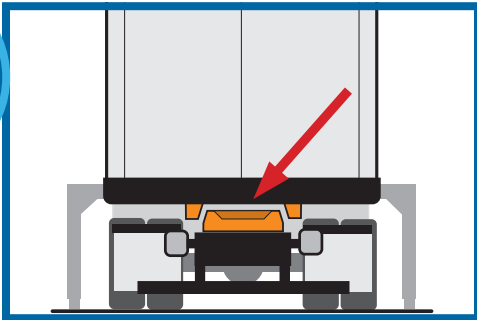
## Frito Lay Winter Weather Bulletin

1



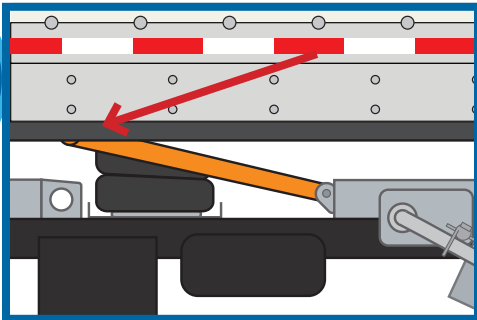
Clear snow from mounting area.

2



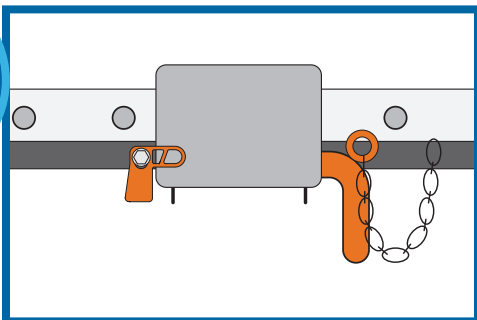
Double double check alignment **BEFORE** mounting.

3



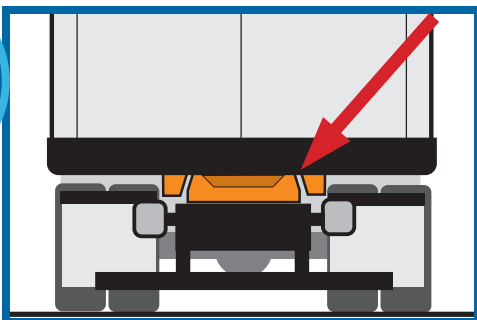
Raise front and be sure air lift device is in the guide rails.

4



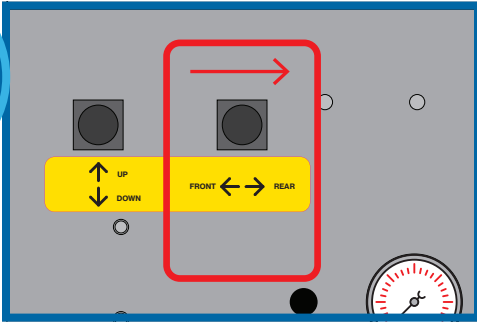
Store Front Legs.

5



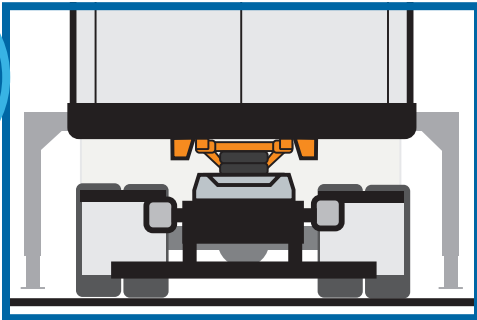
**LOWER** front air lifting device and be sure container is nested **OVER** the chassis.

6



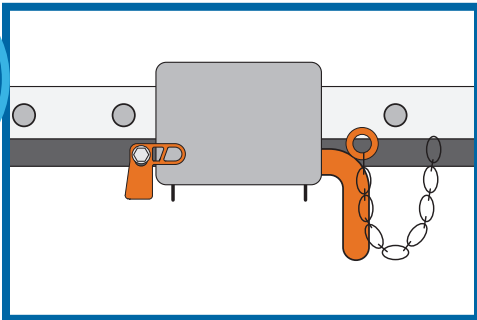
Switch to REAR controls.

7



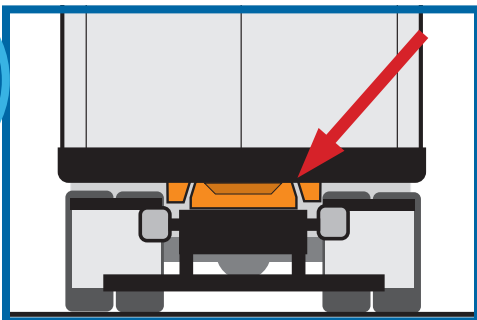
Raise REAR and be sure air lift device is in the guide rails.

8



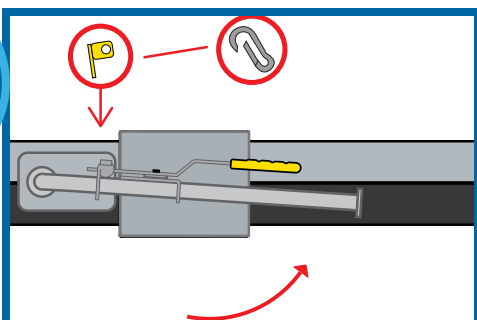
Store Rear Legs.

9



LOWER rear air lifting device and be sure container is nested OVER the chassis.

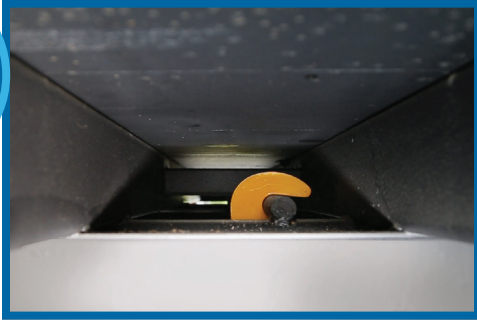
10



Lock on container.

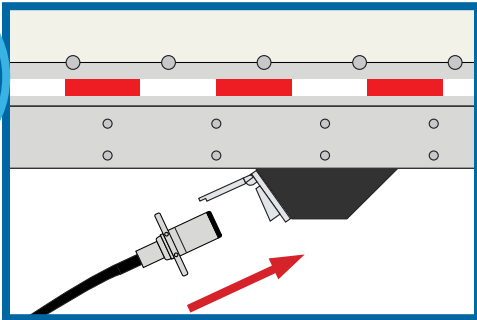
## Frito Lay Winter Weather Bulletin

11



Double check hooks.

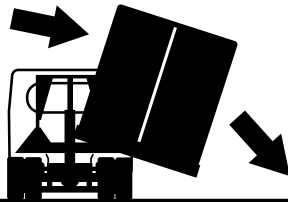
12



Connect lights.



# WARNING



An improperly secured container that falls off a chassis can result in injury or death. It is the driver's responsibility to make sure that the container is properly locked onto the chassis before each trip.

For Service and Parts:

**Phone:** 1-844-364-4021

**E-mail:** sales@demount.com

**Web:** demount.com

Demountable Concepts  
200 Dr. Leo J. McCabe Blvd.  
Glassboro, NJ 08028 USA