

- Maximize Profits
- Save Time
- Increase Productivity
- Reduce Costs



1-800-254-3643

www.demount.com

sales@demount.com

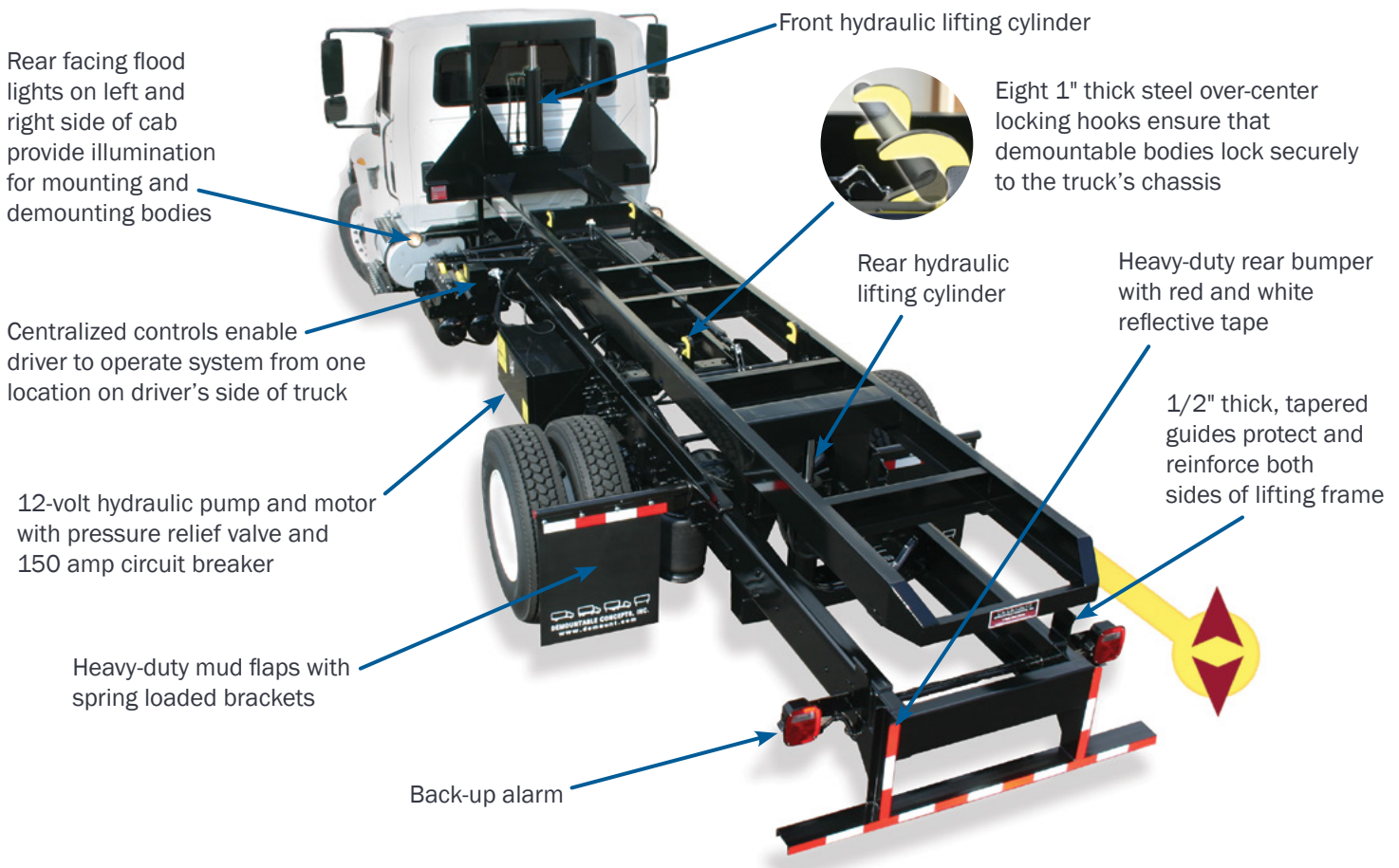
## Chassis Lift for Straight-Truck

- Utilized to mount and demount truck bodies modified to stand independently on retractable legs.
- Reduces costs and increases efficiency by eliminating worker/driver downtime. Also enables bodies to be loaded and unloaded independent of the truck.



Demountable Concepts installs Chassis Lift into new or existing straight-trucks. Also available as a kit for local installation.

- Utilize with:
- Van
  - Curtain-Side
  - Refrigerated
  - Flatbed
  - Container

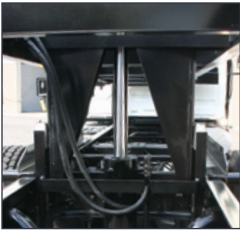


## Additional Features

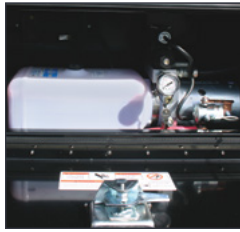
- Designed and manufactured for longevity - can be moved to newer vehicles as older vehicles are retired
- Installed onto chassis with simple mounts and strong grade 8 hardware
- Cut-off switch and lock warning light/buzzer mounted to truck's dash
- Spring loaded body locking pins
- 4- or 7-way connector to power interior/exterior lights on body
- Frame extension when necessary
- Optional power take-off unit for increased lifting capacity

• America's Swap Body •

## Chassis Lift for Straight-Truck Details



Front and rear (shown) 18" stroke hydraulic lifting cylinders - 2-1/2 year limited warranty.



Hydraulic pump and motor assembly inside steel box - 2-1/2 year limited warranty.



Rear-facing flood lights wired to dash or toggle switch.



Dash mounted safety cut-off switch and lock warning light/buzzer.



Lock lever and pad-lockable safety key keep body lock-down lever in correct position.



Body lock-down lever for securing and releasing body locking hooks.



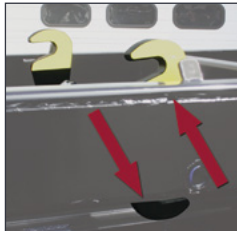
Lifting and lowering control buttons inside steel box.



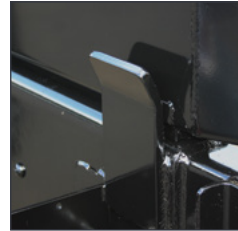
4- or 7-way connector to power interior and exterior lights on body.



Four top and four bottom steel over-center body locking hooks secure body to the Chassis Lift Frame and Lift Frame to Truck Chassis.



Detail: 1" thick steel top and bottom body locking hooks.

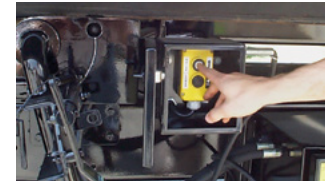


1/2" thick tapered guides protect sides of lifting frame.

## Demounting and Mounting Bodies



Upon arriving at the loading dock, the driver sets the parking brake, turns the safety cut-off switch to on and exits the cab.



Electrical connections are unplugged. The locking lever is utilized to unlock the body. The Chassis Lift is activated to raise the body higher than the chassis.



Reinforced steel, independently adjustable legs are slid out of the body by the driver. The legs are adjusted to compensate for uneven terrain and locked into place.

## Demountable Straight-Truck System Options



Heavy-duty, full-coverage rear step bumper with LED lights and white and red reflective tape.



Tuck-under hydraulic lift gate mounted to truck chassis in lieu of a bumper. Utilize with all demountable truck bodies.



Piggy back option for transporting forklift with truck. Also shown: rear tandem axle/wheel option for heavy payloads.



Patented, retractable self-storing Walkramp glides smoothly in and out of Chassis Lift on a heavy-duty monorail track.



The Chassis Lift is activated and lowered, leaving the body to stand independently on four legs. The driver drives the truck chassis out from under the body.

*To mount a body, the procedure is reversed.*



[www.demount.com](http://www.demount.com)  
[sales@demount.com](mailto:sales@demount.com)

*America's Swap Body*

- We work with your truck dealer, body builder & leasing company
- Installation and service centers throughout North America
- For new and existing vehicles

**Free Fleet Savings Analysis & Price Quote**  
**CALL TOLL FREE 1-800-254-3643**