

# HVBD SERIES

## High Voltage Battery Disconnect

**PRELIMINARY**



### APPLICATIONS



### FEATURES

HVBD is the next level in battery disconnect technology

- Robust metal-ceramic seal
- Industry leading dielectric withstand voltage
- High temperature performance
- Ultra-low contact resistance over life
- Ready for harsh environments
- Lock-out / tag-out ready for OSHA compliance
- Drop-in replacement for GIGAVAC<sup>1</sup> HBD Series battery disconnect switches
- Optional integrated auxiliary contacts
- Patent pending

### PERFORMANCE

TABLE 1. SPECIFICATIONS	
CHARACTERISTIC	MEASURE
Contact Arrangement	Form X, SPST
Operating Voltage <sup>2</sup>	Up to 1,000VDC (no switching under load)
Dielectric Withstand Voltage	5,000VDC, 1 minute
Continuous Current (107mm <sup>2</sup> conductor)	400A, continuous
Overload Current	2,000A, 1 minute
Make and Break <sup>2</sup> (400A @ 24VDC)	5,000 cycles
Voltage Drop (Max at nominal load)	40mV
Min Insulation Resistance	100Mohm
Shock, 1/2 Sine, 11ms	25G
Vibration, Sinusoidal (10-500Hz Peak)	4G
Vibration, Sinusoidal (500Hz-2000Hz Peak)	20G
Operating Temperature <sup>3</sup>	-55°C to 85°C
Ingress Protection	Exceeds IP69
Weight	400g
Case Material	PA GF
Switch Lever Material	PA GF
Mounting	100mm   C:C, 2X M8
Mounting Position	Any
Auxiliary Contact (SPDT)– Continuous Current	3A

<sup>1</sup> GIGAVAC is a registered trademark of GIGAVAC, LLC.

<sup>2</sup> The HVBD is designed to isolate at voltages up to 1000VDC. The HVBD is not intended for make/break switching above 100V.

<sup>3</sup> 175°C max terminal temperature.

# HVBD SERIES

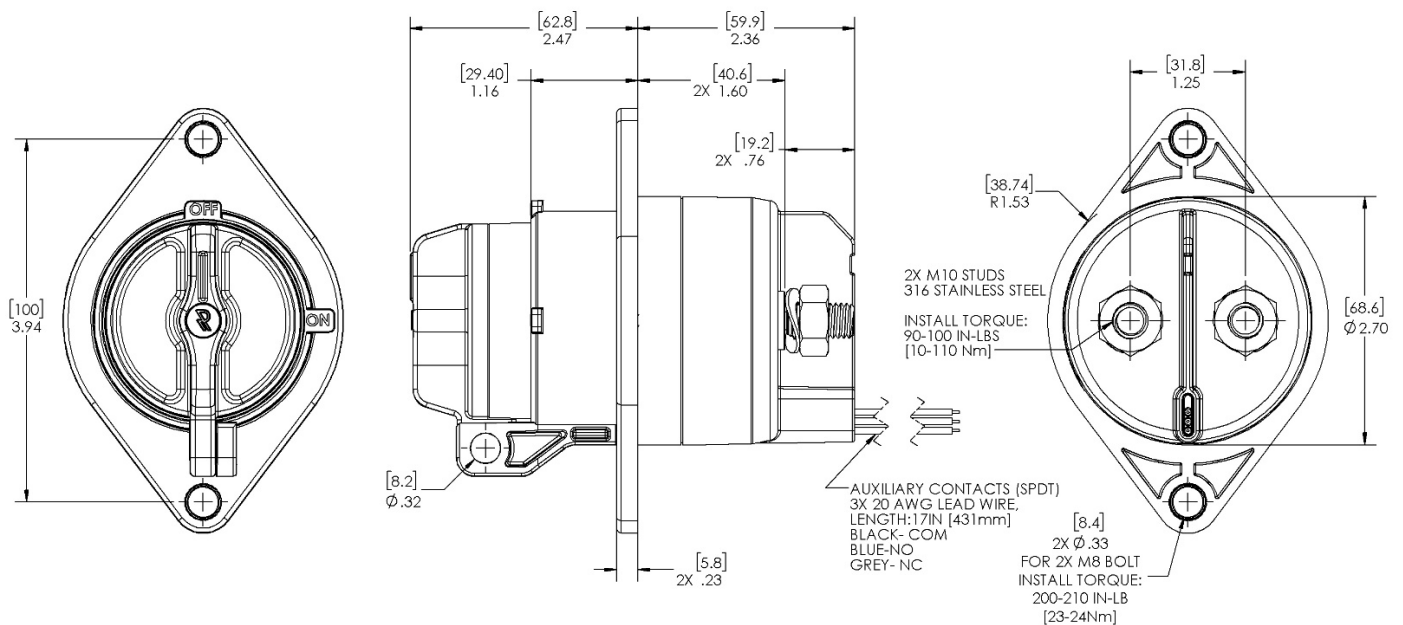
## High Voltage Battery Disconnect

**PRELIMINARY**

### OPTIONS

TABLE 2. PRODUCT NOMENCLATURE				
	CURRENT RATING	MOUNTING	AUXILIARY CONTACTS	HANDLE COLOR
HVBD	4 400 Amp	A 100 mm	A Included	R Red
	3 300 Amp	C:C	X None	

### PACKAGE DIMENSIONS IN. [mm]



### NOTES

- Contact Rincon Power for optional mounting gasket.
- Contact Rincon Power for optional OSHA certified lockout tagout padlock
- Lockout Tagout Padlock Requirements:  
Shackle DIA: 9/32", Vertical Clearance: 3/4", Horizontal Clearance: 5/8"

### OPTIONAL SPDT AUXILIARY SWITCH DETAILS:

- Main contacts close before auxiliary contacts when switching from ON to OFF
- Auxiliary contacts open before main contacts when switching from OFF to ON
- IP67 sealed
- Auxiliary contacts rated to (3A, 12VDC 100k cycles)

