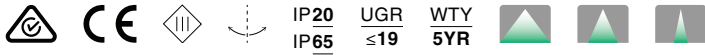


TIO-M / MODULAR DOWNLIGHT LUMINAIRE



TECHNICAL DATA

• Luminaire source	LED COB, Cree
• Luminaire system wattage*	8W ~ 12W
• Luminaire luminous flux*	800lm ~ 1200lm
• Luminaire efficacy (avg.)	100lm/W (4000K)
• Correlated colour temperature*	3000K, 4000K
• Colour rendering index	Ra≥85
• Chromaticity tolerance	3 MacAdam, initial
• Unified glare rating	UGR ≤19 ¹
• Beam	60° standard; 20°, 40° optional
• Service lifetime*	>60,000h L70/B10
• Ingress protection/resistance	IP20 (IP65 optional) / IK05
• Power factor	≥0.9
• Operating voltage	220-240V AC, 50/60Hz
• Operating temperature	-20°~40°C
• Protection class	III
• Finish	White trim (RAL9016)
• Construction	Aluminium
• Mounting / Cutout	Ceiling recessed, cutout Ø75~100mm
• Warranty*	5 years
• Luminaire termination	Pre-wired flex and plug
• Lighting control	Phase-cut dimming standard; TRIDONIC DALI/DSI, dimming on request

ORDER DATA

Order code	Model	System wattage	Colour temperature
16308201	TIO-M-8W-3K	8W	3000K
16308202	TIO-M-8W-4K	8W	4000K
16308205	TIO-M-12W-3K	12W	3000K
16308206	TIO-M-12W-4K	12W	4000K

Specify **-D** for DALI/DSI dimming
Specify **-20D** for 20° beam, **-40D** for 40° beam, **-60D** for 60° beam

ACCESSORIES

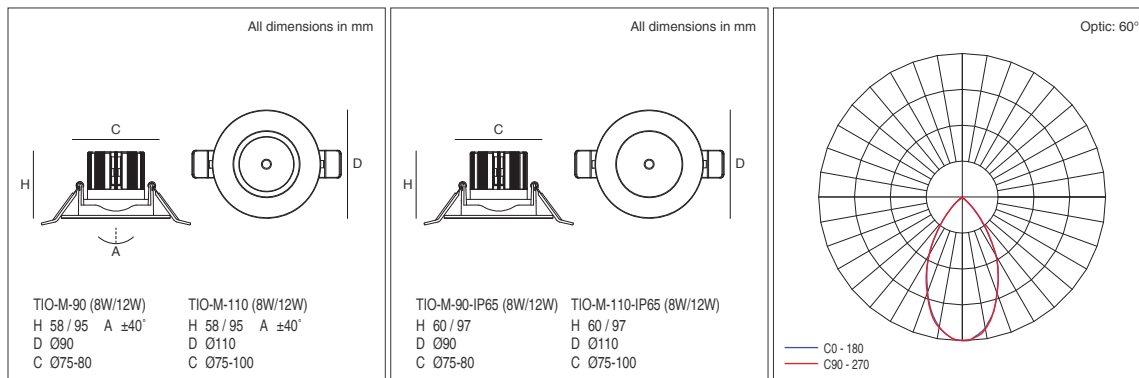
Order code	Model	Description
16308800	TIO-M-90	Ø90mm (c/o Ø75-80mm), IP20 adjustable, white
16308801	TIO-M-90-IP65	Ø90mm (c/o Ø75-80mm), IP65 fixed, white
16308802	TIO-M-110	Ø110mm (c/o Ø75-100mm), IP20 adjustable, white
16308803	TIO-M-110-IP65	Ø110mm (c/o Ø75-100mm), IP65 fixed, white

FEATURES

- High efficacy, deepset faceted low glare lensing, ideal halogen replacement
- Tilt adjustable with multiple beam options, IP65 trim (fixed) option
- Modular design, interchangeable downlight engine with various trim options
- IPART and VEU accepted

OPTIONS/ACCESSORIES

- 60° beam standard, 20°, 40° options
- IP20 and IP65 trim options
- Trim options to suit Ø75~100mm cutouts
- TRIDONIC DALI/DSI dimming on request



¹Design parameters: 8H/4H, reflectances 70/50/20, maintenance factor 0.8.

*Stated power consumption and luminous flux luminaire specification subject to tolerance of ±10%, correlated colour temperature tolerance of ±150K. All values based on ambient temperature of 25°C unless otherwise stated. Warranted against faulty workmanship and/or performance deficiencies for duration of stated warranty period, subject to terms and conditions. LOWA Lighting reserve the right to make specification changes without prior notice.