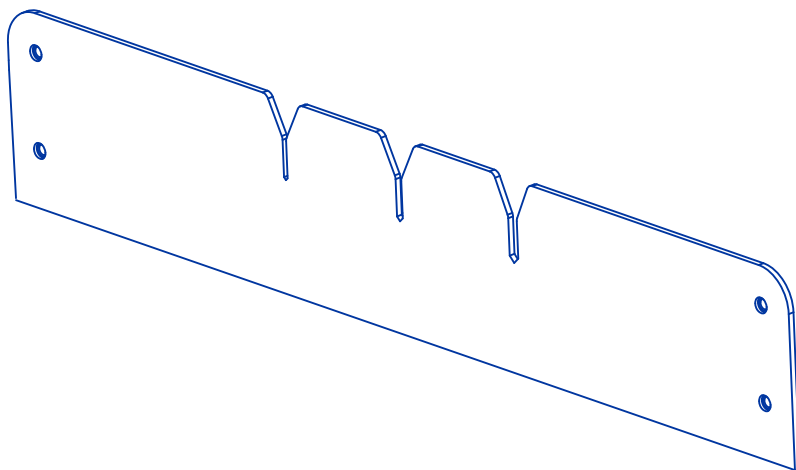




DB-6

Blade assembly instructions





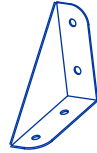
1x Blade



4xM6 Mounting nuts



4x M6 15 Mounting bolts



2x Triangle brackets

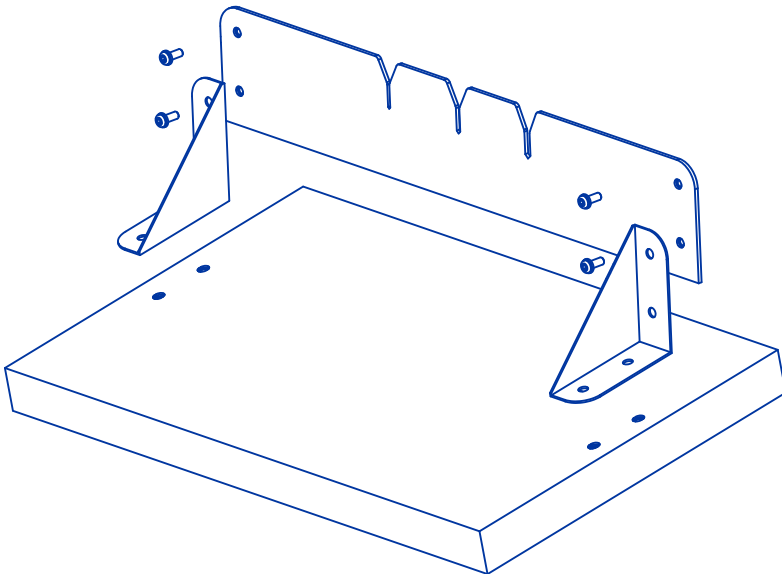


Diagram
Blade

Mount the blade to the top of any flat surface.