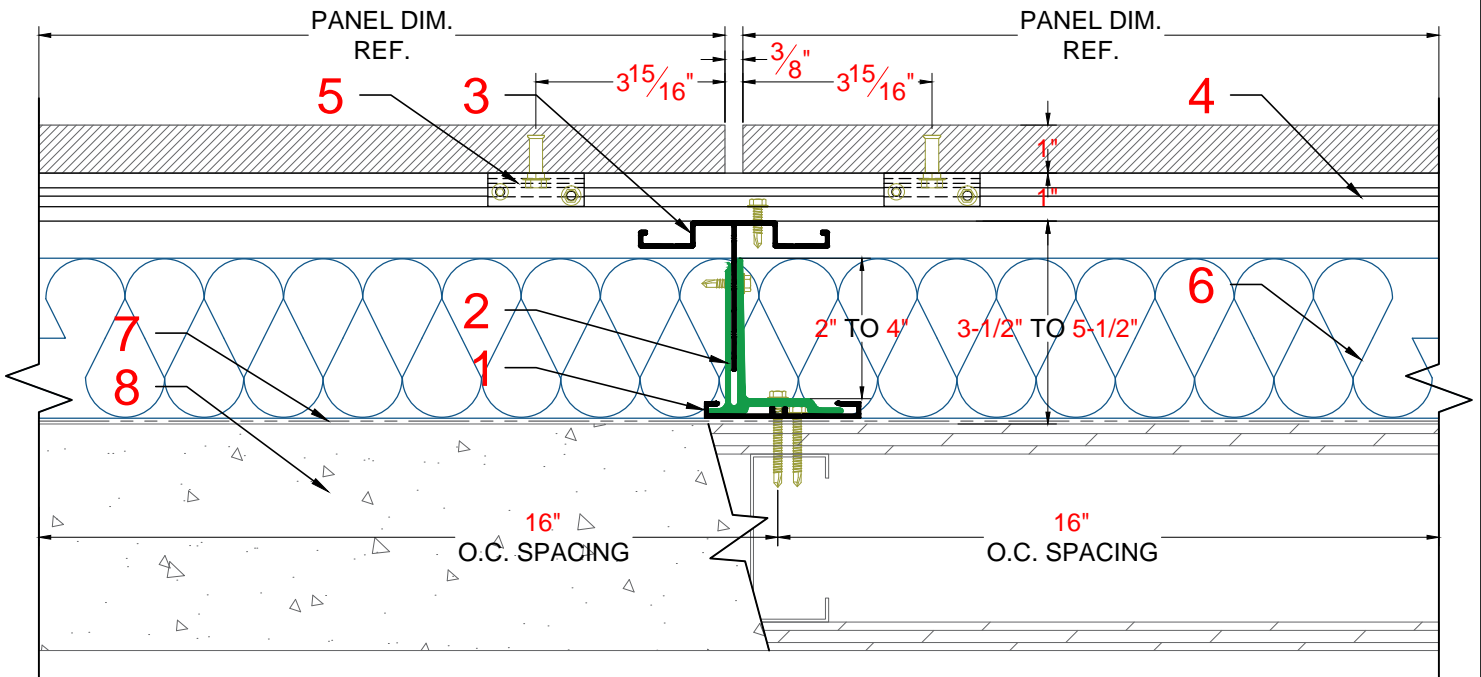


# CL TALON - 300

## THERMALLY ISOLATED ADJUSTABLE SYSTEM



SYSTEM CAN BE INSTALLED HORIZONTALLY, VERTICALLY, OR BOTH

ANY PRODUCT MAY BE APPLIED OVER CL-TALON SYSTEMS

### LEGEND:

BY: CL TALON		BY: OTHERS
#1 CL TALON 300 BASE TRACK	#5 CL TALON STONE PANEL CLIP	#6 INSULATION
#2 CL TALON 300 THERME CLIP		#7 MOISTURE BARRIER
#3 CL TALON 300 ADJUSTABLE FLAT TRACK		#8 MASONRY/STUD WALL
#4 CL TALON RAISCREEN		

### FASTENER TYPES:

STUD WALL  
#10 HWH SDS TEK3



FASTENER SIZE ADJUSTED BY STRUCTURAL ENGINEER

CL TALON - STONE PANEL  
PLAN DETAIL  
SCALE: 3" = 1' - 0"

SYSTEM SHOWN:  
300

DATE: 08-14-2020

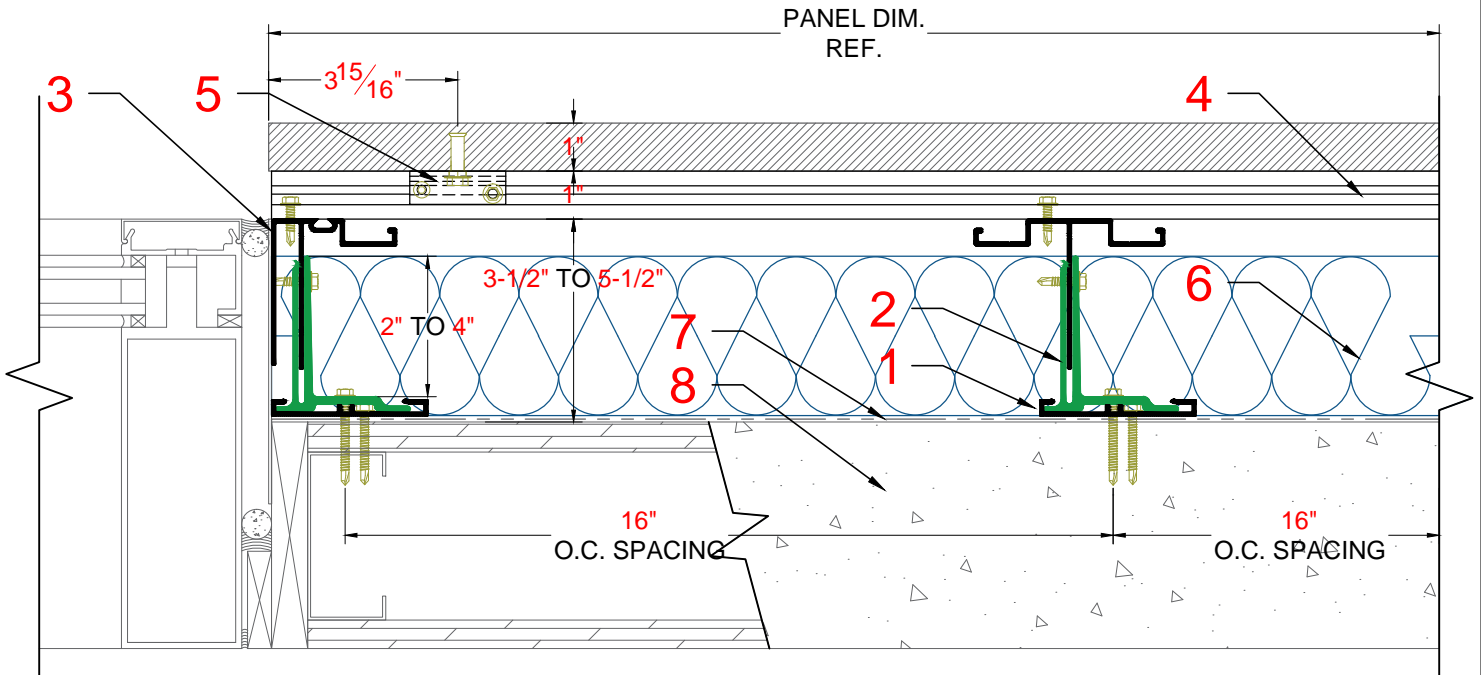


**CL-TALON**®  
Universal Thermally Isolated Cladding Support Systems

Confidential Document: Property of CL-TALON. Any transfer of this document without the express written permission of CL-TALON is unlawful. This document includes: Originals, duplicates, and electronic versions. All are exclusive. Information contained herein or related hereto is intended only for evaluation by technically skilled persons, with any use thereof to be at their independent discretion and risk. Such information is believed to be reliable, but CL-TALON shall have no responsibility or liability for results obtained or damages resulting from such use. CL-TALON grants no license under, and shall have no responsibility or liability for infringement of, any patent proprietary right. Sales of CL-TALON products shall be independent and subject exclusively to warranties set forth in CL-TALON acknowledgment. The foregoing may be waived or modified only in writing by an CL-TALON officer.

# CL TALON - 300

## THERMALLY ISOLATED ADJUSTABLE SYSTEM



SYSTEM CAN BE INSTALLED HORIZONTALLY, VERTICALLY, OR BOTH

ANY PRODUCT MAY BE APPLIED OVER CL-TALON SYSTEMS

### LEGEND:

BY: CL TALON		BY: OTHERS
#1 CL TALON 300 BASE TRACK	#5 CL TALON STONE PANEL CLIP	#6 INSULATION
#2 CL TALON 300 THERME CLIP		#7 MOISTURE BARRIER
#3 CL TALON 300 PERIMETER TRACK		#8 MASONRY/STUD WALL
#4 CL TALON RAINSCREEN		

### FASTENER TYPES:

STUD WALL  
#10 HWH SDS TEK3



FASTENER SIZE ADJUSTED BY STRUCTURAL ENGINEER

### CL TALON - STONE PANEL

JAMB DETAIL  
SCALE: 3" = 1' - 0"

SYSTEM SHOWN:  
300

DATE: 08-14-2020

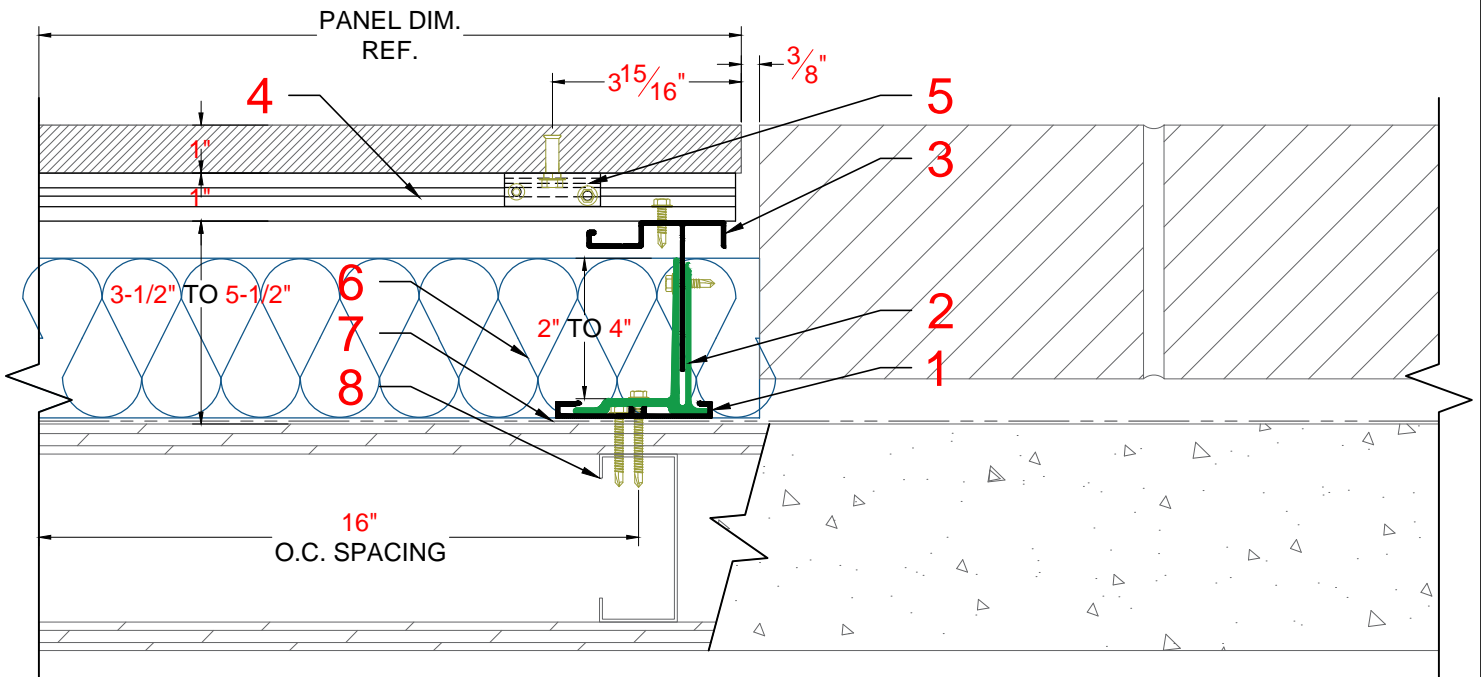


**CL-TALON**®  
Universal Thermally Isolated Cladding Support Systems

Confidential Document: Property of CL-TALON. Any transfer of this document without the express written permission of CL-TALON is unlawful. This document includes: Originals, duplicates, and electronic versions. All are exclusive. Information contained herein or related hereto is intended only for evaluation by technically skilled persons, with any use thereof to be at their independent discretion and risk. Such information is believed to be reliable, but CL-TALON shall have no responsibility or liability for results obtained or damages resulting from such use. CL-TALON grants no license under, and shall have no responsibility or liability for infringement of, any patent proprietary right. Sales of CL-TALON products shall be independent and subject exclusively to warranties set forth in CL-TALON acknowledgment. The foregoing may be waived or modified only in writing by an CL-TALON officer.

# CL TALON - 300

## THERMALLY ISOLATED ADJUSTABLE SYSTEM



SYSTEM CAN BE INSTALLED HORIZONTALLY, VERTICALLY, OR BOTH

ANY PRODUCT MAY BE APPLIED OVER CL-TALON SYSTEMS

### LEGEND:

BY: CL TALON		BY: OTHERS
#1 CL TALON 300 BASE TRACK	#5 CL TALON STONE PANEL CLIP	#6 INSULATION
#2 CL TALON 300 THERME CLIP		#7 MOISTURE BARRIER
#3 CL TALON 300 ADJUSTABLE FLAT TRACK		#8 MASONRY/STUD WALL
#4 CL TALON RAISCREEN		

### FASTENER TYPES:

STUD WALL  
#10 HWH SDS TEK3



FASTENER SIZE ADJUSTED BY STRUCTURAL ENGINEER

### CL TALON - STONE PANEL TERMINATION DETAIL

SCALE: 3" = 1' - 0"

SYSTEM SHOWN:  
300

DATE: 08-14-2020

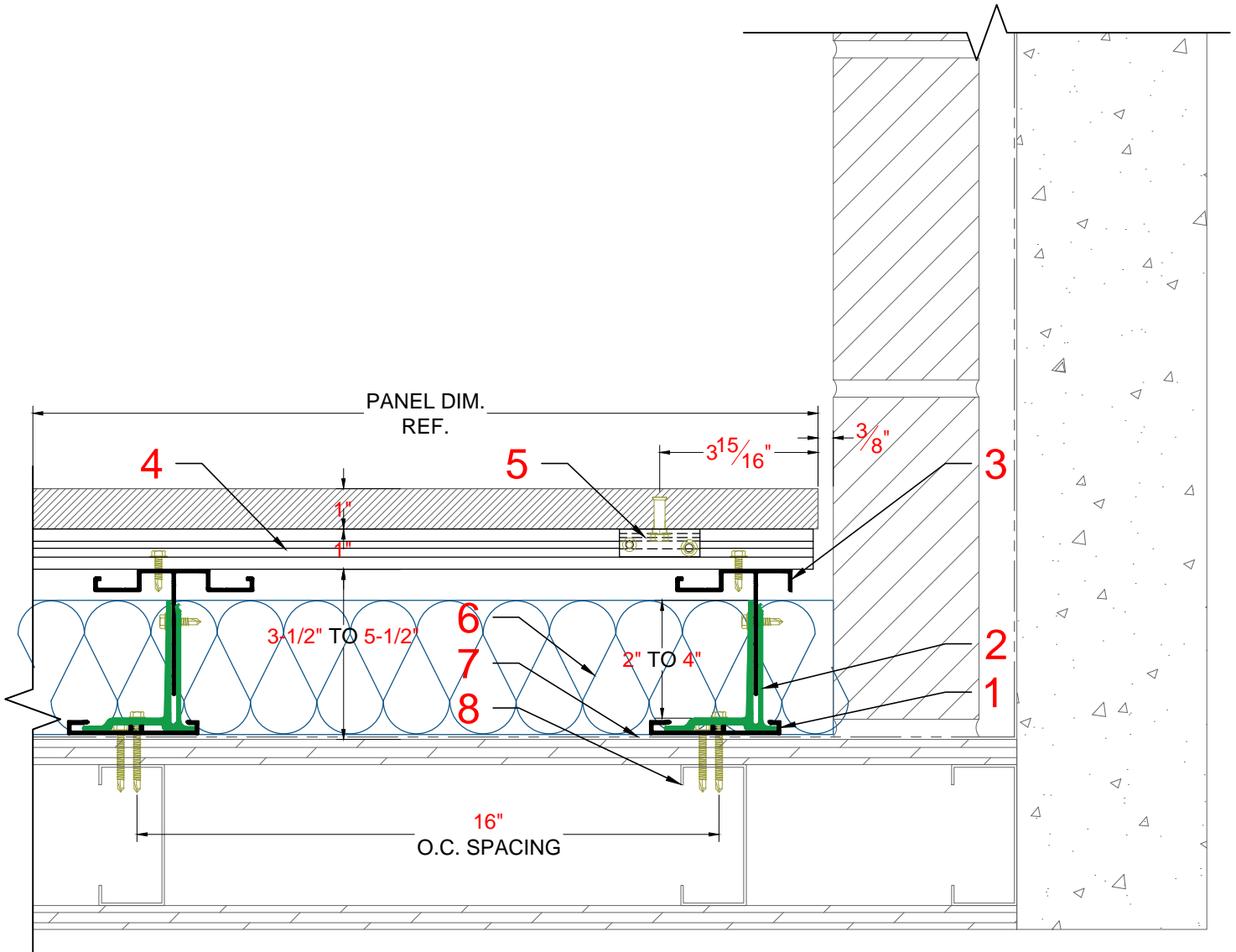


**CL-TALON**®  
Universal Thermally Isolated Cladding Support Systems

Confidential Document: Property of CL-TALON. Any transfer of this document without the express written permission of CL-TALON is unlawful. This document includes: Originals, duplicates, and electronic versions. All are exclusive. Information contained herein or related hereto is intended only for evaluation by technically skilled persons, with any use thereof to be at their independent discretion and risk. Such information is believed to be reliable, but CL-TALON shall have no responsibility or liability for results obtained or damages resulting from such use. CL-TALON grants no license under, and shall have no responsibility or liability for infringement of, any patent proprietary right. Sales of CL-TALON products shall be independent and subject exclusively to warranties set forth in CL-TALON acknowledgment. The foregoing may be waived or modified only in writing by an CL-TALON officer.

# CL TALON - 300

## THERMALLY ISOLATED ADJUSTABLE SYSTEM



SYSTEM CAN BE INSTALLED HORIZONTALLY, VERTICALLY, OR BOTH

ANY PRODUCT MAY BE APPLIED OVER CL-TALON SYSTEMS

### LEGEND:

BY: CL TALON		BY: OTHERS
#1 CL TALON 300 BASE TRACK	#5 CL TALON STONE PANEL CLIP	#6 INSULATION
#2 CL TALON 300 THERME CLIP		#7 MOISTURE BARRIER
#3 CL TALON 300 ADJUSTABLE FLAT TRACK		#8 MASONRY/STUD WALL
#4 CL TALON RAINSCREEN		

### FASTENER TYPES:

STUD WALL  
#10 HWH SDS TEK3



FASTENER SIZE ADJUSTED BY STRUCTURAL ENGINEER

CL TALON - STONE PANEL  
INSIDE CORNER TERMINATION DETAIL  
SCALE: 3" = 1' - 0"

SYSTEM SHOWN:  
300

DATE: 08-14-2020

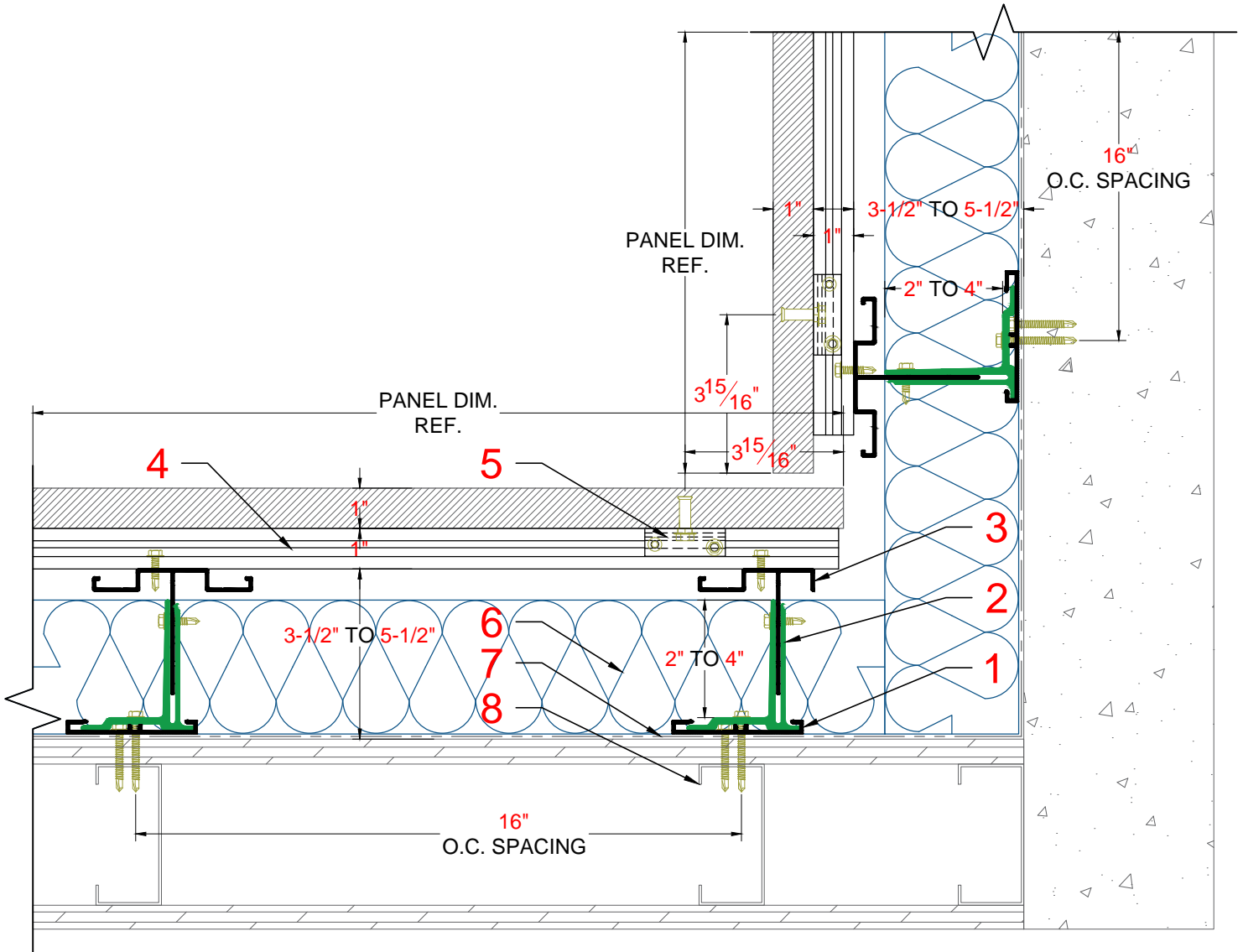


**CL-TALON**®  
Universal Thermally Isolated Cladding Support Systems

Confidential Document: Property of CL-TALON. Any transfer of this document without the express written permission of CL-TALON is unlawful. This document includes: Originals, duplicates, and electronic versions. All are exclusive. Information contained herein or related hereto is intended only for evaluation by technically skilled persons, with any use thereof to be at their independent discretion and risk. Such information is believed to be reliable, but CL-TALON shall have no responsibility or liability for results obtained or damages resulting from such use. CL-TALON grants no license under, and shall have no responsibility or liability for infringement of, any patent proprietary right. Sales of CL-TALON products shall be independent and subject exclusively to warranties set forth in CL-TALON acknowledgment. The foregoing may be waived or modified only in writing by an CL-TALON officer.

# CL TALON - 300

## THERMALLY ISOLATED ADJUSTABLE SYSTEM



SYSTEM CAN BE INSTALLED HORIZONTALLY, VERTICALLY, OR BOTH

ANY PRODUCT MAY BE APPLIED OVER CL-TALON SYSTEMS

### LEGEND:

BY: CL TALON		BY: OTHERS
#1 CL TALON 300 BASE TRACK	#5 CL TALON STONE PANEL CLIP	#6 INSULATION
#2 CL TALON 300 THERME CLIP		#7 MOISTURE BARRIER
#3 CL TALON 300 ADJUSTABLE FLAT TRACK		#8 MASONRY/STUD WALL
#4 CL TALON RAINSCREEN		

### FASTENER TYPES:

STUD WALL  
#10 HWH SDS TEK3



FASTENER SIZE ADJUSTED BY STRUCTURAL ENGINEER

### CL TALON - STONE PANEL

INSIDE CORNER DETAIL

SCALE: 3" = 1' - 0"

SYSTEM SHOWN:  
300

DATE: 08-14-2020

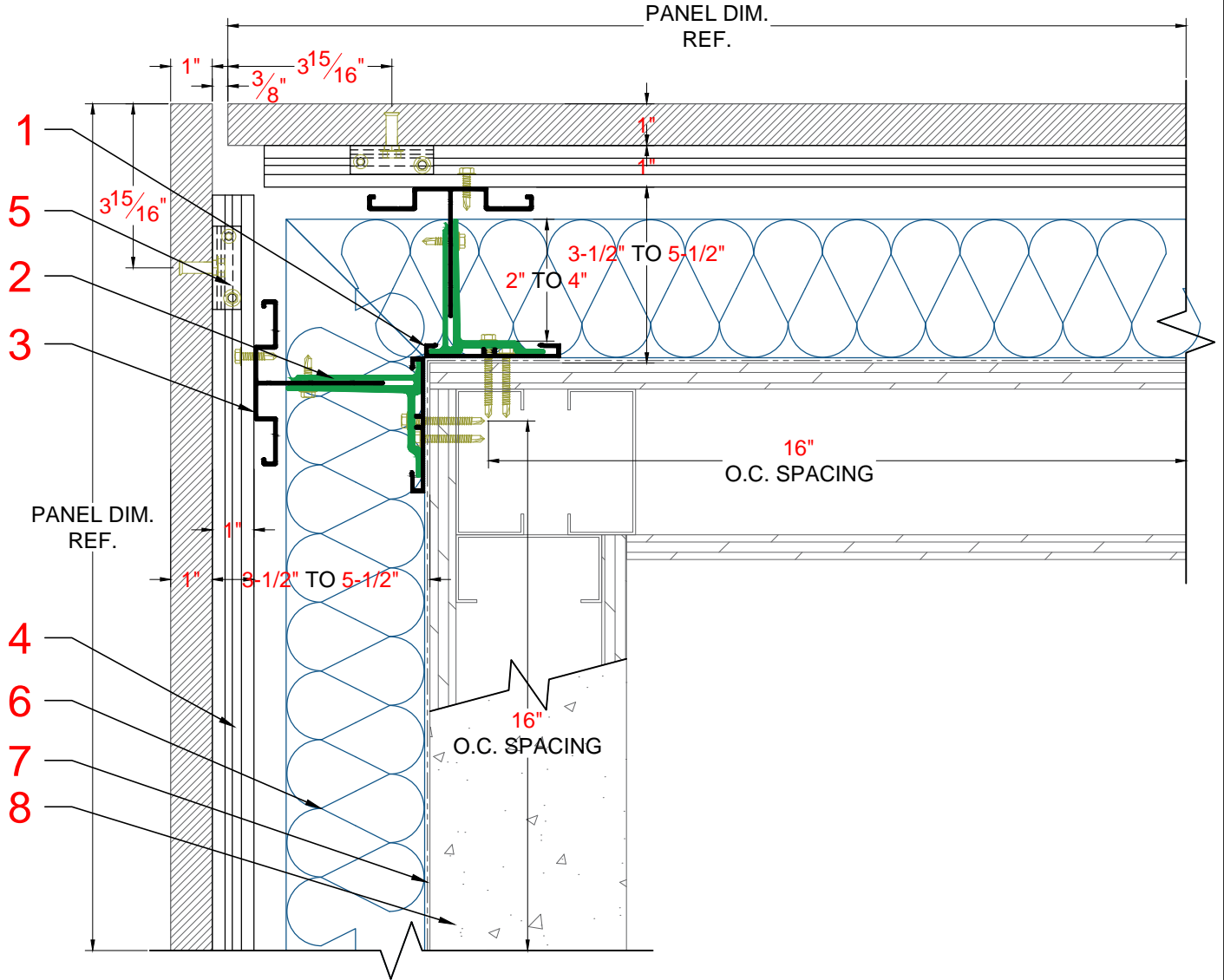


**CL-TALON**®  
Universal Thermally Isolated Cladding Support Systems

Confidential Document: Property of CL-TALON. Any transfer of this document without the express written permission of CL-TALON is unlawful. This document includes: Originals, duplicates, and electronic versions. All are exclusive. Information contained herein or related hereto is intended only for evaluation by technically skilled persons, with any use thereof to be at their independent discretion and risk. Such information is believed to be reliable, but CL-TALON shall have no responsibility or liability for results obtained or damages resulting from such use. CL-TALON grants no license under, and shall have no responsibility or liability for infringement of, any patent proprietary right. Sales of CL-TALON products shall be independent and subject exclusively to warranties set forth in CL-TALON acknowledgment. The foregoing may be waived or modified only in writing by an CL-TALON officer.

# CL TALON - 300

## THERMALLY ISOLATED ADJUSTABLE SYSTEM



SYSTEM CAN BE INSTALLED HORIZONTALLY, VERTICALLY, OR BOTH

ANY PRODUCT MAY BE APPLIED OVER CL-TALON SYSTEMS

### LEGEND:

BY: CL TALON		BY: OTHERS
#1 CL TALON 300 BASE TRACK	#5 CL TALON STONE PANEL CLIP	#6 INSULATION
#2 CL TALON 300 THERME CLIP		#7 MOISTURE BARRIER
#3 CL TALON 300 ADJUSTABLE FLAT TRACK		#8 MASONRY/STUD WALL
#4 CL TALON RAINSCREEN		

### FASTENER TYPES:

STUD WALL  
#10 HWH SDS TEK3



FASTENER SIZE ADJUSTED BY STRUCTURAL ENGINEER

### CL TALON - STONE PANEL OUTSIDE CORNER DETAIL

SCALE: 3" = 1' - 0"

SYSTEM SHOWN:  
300

DATE: 08-14-2020



**CL-TALON**®  
Universal Thermally Isolated Cladding Support Systems

Confidential Document: Property of CL-TALON. Any transfer of this document without the express written permission of CL-TALON is unlawful. This document includes: Originals, duplicates, and electronic versions. All are exclusive. Information contained herein or related hereto is intended only for evaluation by technically skilled persons, with any use thereof to be at their independent discretion and risk. Such information is believed to be reliable, but CL-TALON shall have no responsibility or liability for results obtained or damages resulting from such use. CL-TALON grants no license under, and shall have no responsibility or liability for infringement of, any patent proprietary right. Sales of CL-TALON products shall be independent and subject exclusively to warranties set forth in CL-TALON acknowledgment. The foregoing may be waived or modified only in writing by an CL-TALON officer.