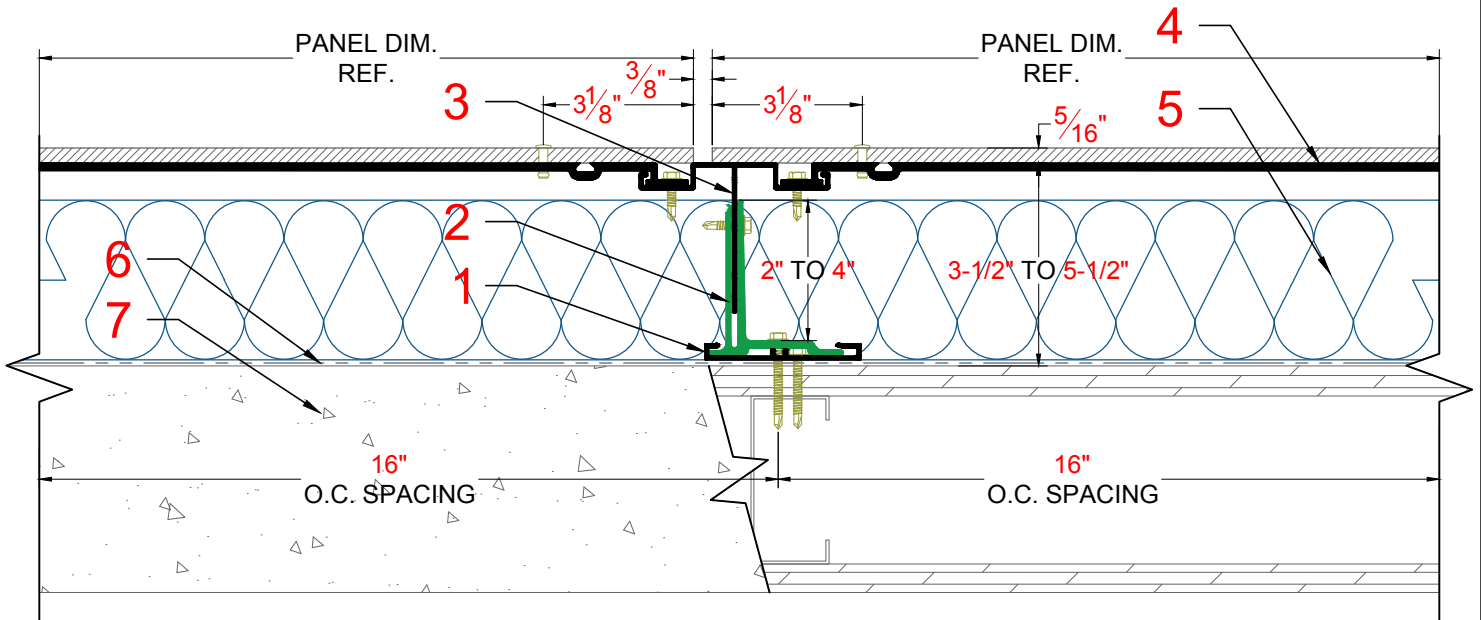


CL TALON - 300

THERMALLY ISOLATED ADJUSTABLE SYSTEM



SYSTEM CAN BE INSTALLED HORIZONTALLY, VERTICALLY, OR BOTH

ANY PRODUCT MAY BE APPLIED OVER CL-TALON SYSTEMS

LEGEND:

BY: CL TALON	BY: OTHERS
#1 CL TALON 300 BASE TRACK	#5 INSULATION
#2 CL TALON 300 THERME CLIP	#6 MOISTURE BARRIER
#3 CL TALON 300 ADJUSTABLE FLAT TRACK	#7 MASONRY/STUD WALL
#4 CL TALON MOUNTING SUPPORT (ALT.)	

FASTENER TYPES:

STUD WALL
#10 HWH SDS TEK3



FASTENER SIZE ADJUSTED BY STRUCTURAL ENGINEER

CL TALON - EQUITONE PANEL

PLAN DETAIL
SCALE: 3" = 1' - 0"

SYSTEM SHOWN:
300

DATE: 08-13-2020

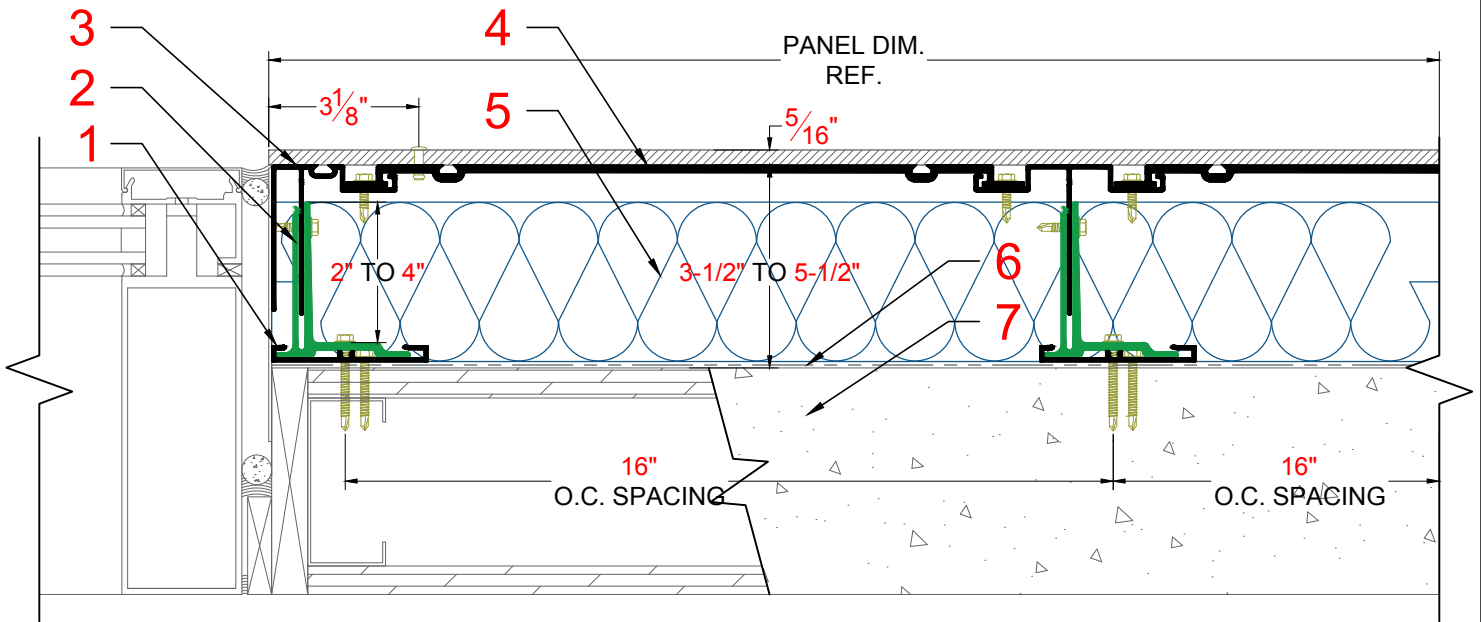


CL-TALON®
Universal Thermally Isolated Cladding Support Systems

Confidential Document: Property of CL-TALON. Any transfer of this document without the express written permission of CL-TALON is unlawful. This document includes: Originals, duplicates, and electronic versions. All are exclusive. Information contained herein or related hereto is intended only for evaluation by technically skilled persons, with any use thereof to be at their independent discretion and risk. Such information is believed to be reliable, but CL-TALON shall have no responsibility or liability for results obtained or damages resulting from such use. CL-TALON grants no license under, and shall have no responsibility or liability for, infringement of, any patent proprietary right. Sales of CL-TALON products shall be independent and subject exclusively to warranties set forth in CL-TALON acknowledgment. The foregoing may be waived or modified only in writing by an CL-TALON officer.

CL TALON - 300

THERMALLY ISOLATED ADJUSTABLE SYSTEM



SYSTEM CAN BE INSTALLED HORIZONTALLY, VERTICALLY, OR BOTH

ANY PRODUCT MAY BE APPLIED OVER CL-TALON SYSTEMS

LEGEND:

BY: CL TALON	BY: OTHERS
#1 CL TALON 300 BASE TRACK	#5 INSULATION
#2 CL TALON 300 THERME CLIP	#6 MOISTURE BARRIER
#3 CL TALON 300 PERIMETER TRACK	#7 MASONRY/STUD WALL
#4 CL TALON MOUNTING SUPPORT (ALT.)	

FASTENER TYPES:

STUD WALL
#10 HWH SDS TEK3



FASTENER SIZE ADJUSTED BY STRUCTURAL ENGINEER

CL TALON - EQUITONE PANEL

JAMB DETAIL
SCALE: 3" = 1' - 0"

SYSTEM SHOWN:
300

DATE: 08-13-2020

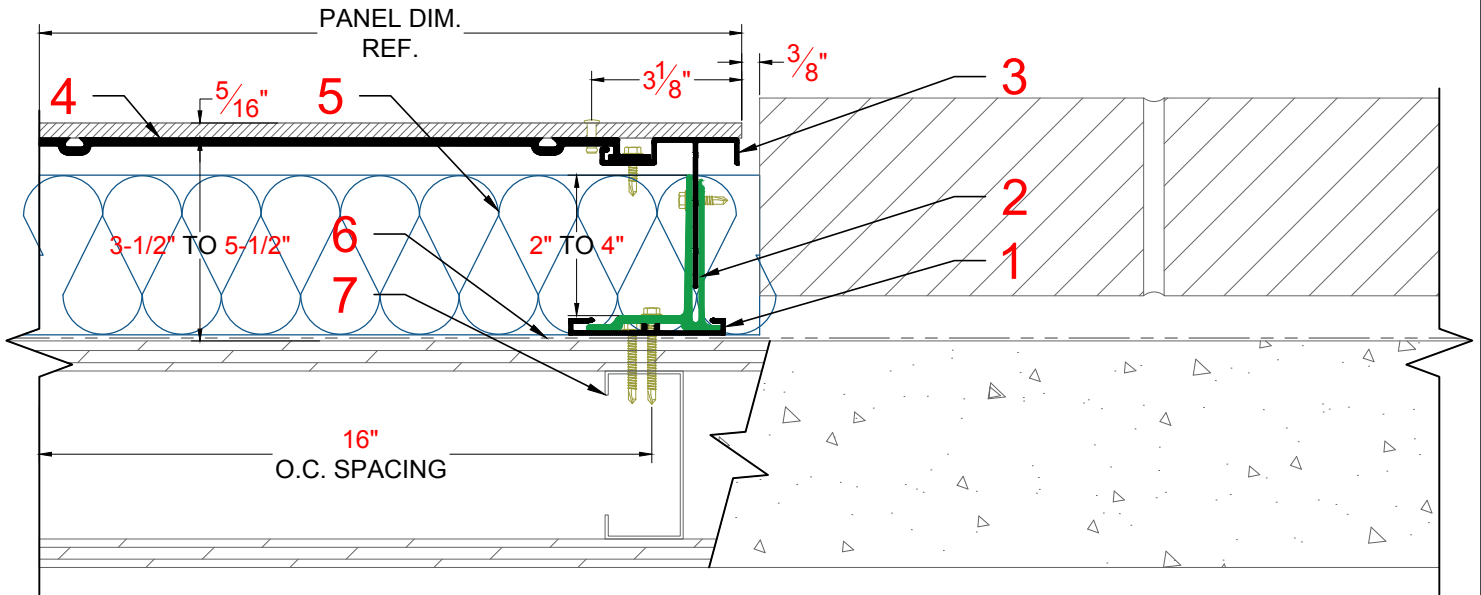


CL-TALON®
Universal Thermally Isolated Cladding Support Systems

Confidential Document: Property of CL-TALON. Any transfer of this document without the express written permission of CL-TALON is unlawful. This document includes: Originals, duplicates, and electronic versions. All are exclusive. Information contained herein or related hereto is intended only for evaluation by technically skilled persons, with any use thereof to be at their independent discretion and risk. Such information is believed to be reliable, but CL-TALON shall have no responsibility or liability for results obtained or damages resulting from such use. CL-TALON grants no license under, and shall have no responsibility or liability for, infringement of, any patent proprietary right. Sales of CL-TALON products shall be independent and subject exclusively to warranties set forth in CL-TALON acknowledgment. The foregoing may be waived or modified only in writing by an CL-TALON officer.

CL TALON - 300

THERMALLY ISOLATED ADJUSTABLE SYSTEM



SYSTEM CAN BE INSTALLED HORIZONTALLY, VERTICALLY, OR BOTH

ANY PRODUCT MAY BE APPLIED OVER CL-TALON SYSTEMS

LEGEND:

BY: CL TALON	BY: OTHERS
#1 CL TALON 300 BASE TRACK	#5 INSULATION
#2 CL TALON 300 THERME CLIP	#6 MOISTURE BARRIER
#3 CL TALON 300 ADJUSTABLE FLAT TRACK	#7 MASONRY/STUD WALL
#4 CL TALON MOUNTING SUPPORT (ALT.)	

FASTENER TYPES:

STUD WALL
#10 HWH SDS TEK3



FASTENER SIZE ADJUSTED BY STRUCTURAL ENGINEER

CL TALON - EQUITONE PANEL TERMINATION DETAIL

SCALE: 3" = 1' - 0"

SYSTEM SHOWN:
300

DATE: 08-13-2020

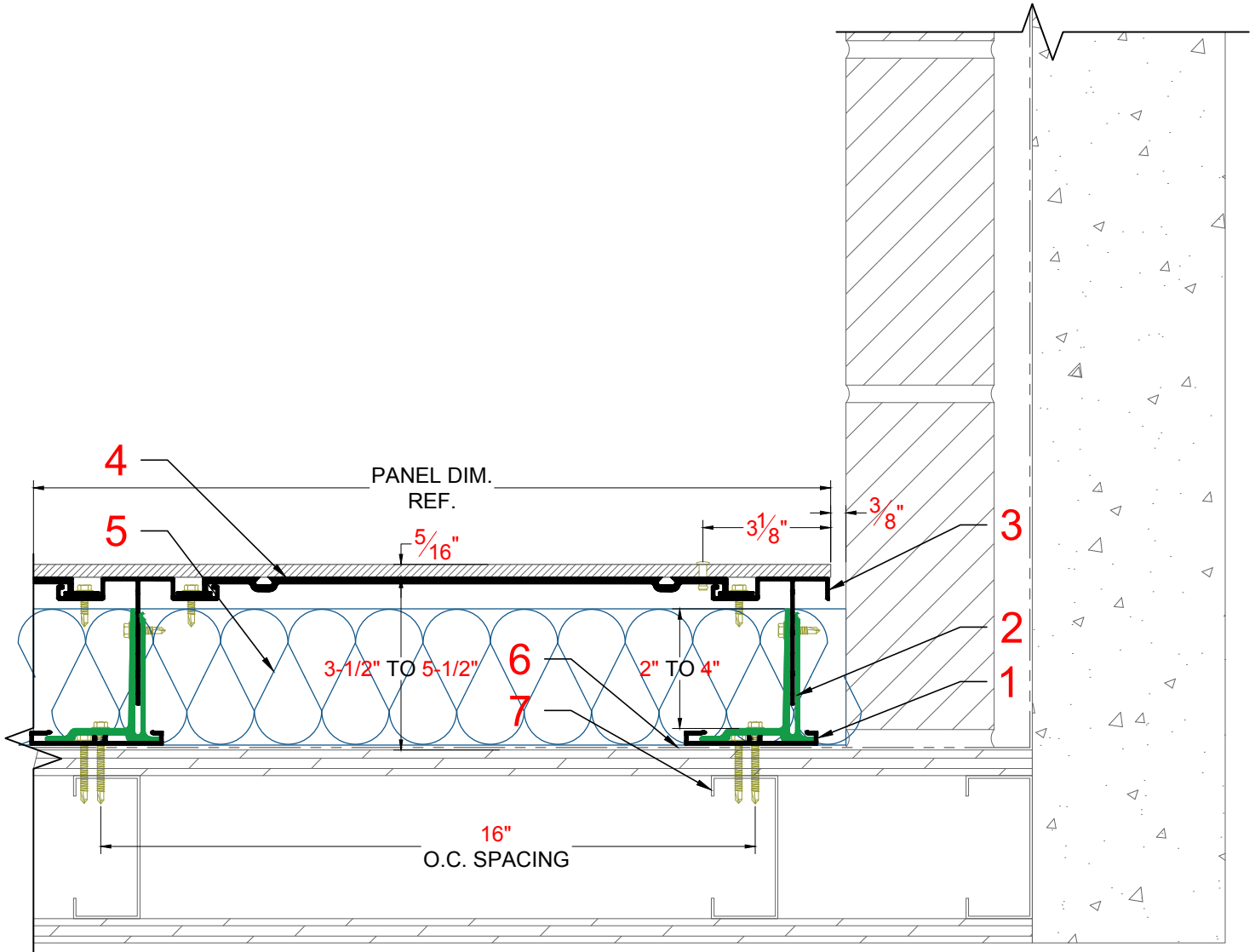


CL-TALON®
Universal Thermally Isolated Cladding Support Systems

Confidential Document: Property of CL-TALON. Any transfer of this document without the express written permission of CL-TALON is unlawful. This document includes: Originals, duplicates, and electronic versions. All are exclusive. Information contained herein or related hereto is intended only for evaluation by technically skilled persons, with any use thereof to be at their independent discretion and risk. Such information is believed to be reliable, but CL-TALON shall have no responsibility or liability for results obtained or damages resulting from such use. CL-TALON grants no license under, and shall have no responsibility or liability for, infringement of, any patent proprietary right. Sales of CL-TALON products shall be independent and subject exclusively to warranties set forth in CL-TALON acknowledgment. The foregoing may be waived or modified only in writing by an CL-TALON officer.

CL TALON - 300

THERMALLY ISOLATED ADJUSTABLE SYSTEM



SYSTEM CAN BE INSTALLED HORIZONTALLY, VERTICALLY, OR BOTH

ANY PRODUCT MAY BE APPLIED OVER CL-TALON SYSTEMS

LEGEND:

BY: CL TALON	BY: OTHERS
#1 CL TALON 300 BASE TRACK	#5 INSULATION
#2 CL TALON 300 THERME CLIP	#6 MOISTURE BARRIER
#3 CL TALON 300 ADJUSTABLE FLAT TRACK	#7 MASONRY/STUD WALL
#4 CL TALON MOUNTING SUPPORT (ALT.)	

FASTENER TYPES:

STUD WALL
#10 HWH SDS TEK3



FASTENER SIZE ADJUSTED BY STRUCTURAL ENGINEER

CL TALON - EQUITONE PANEL
INSIDE CORNER TERMINATION DETAIL
SCALE: 3" = 1' - 0"

SYSTEM SHOWN:
300

DATE: 08-13-2020

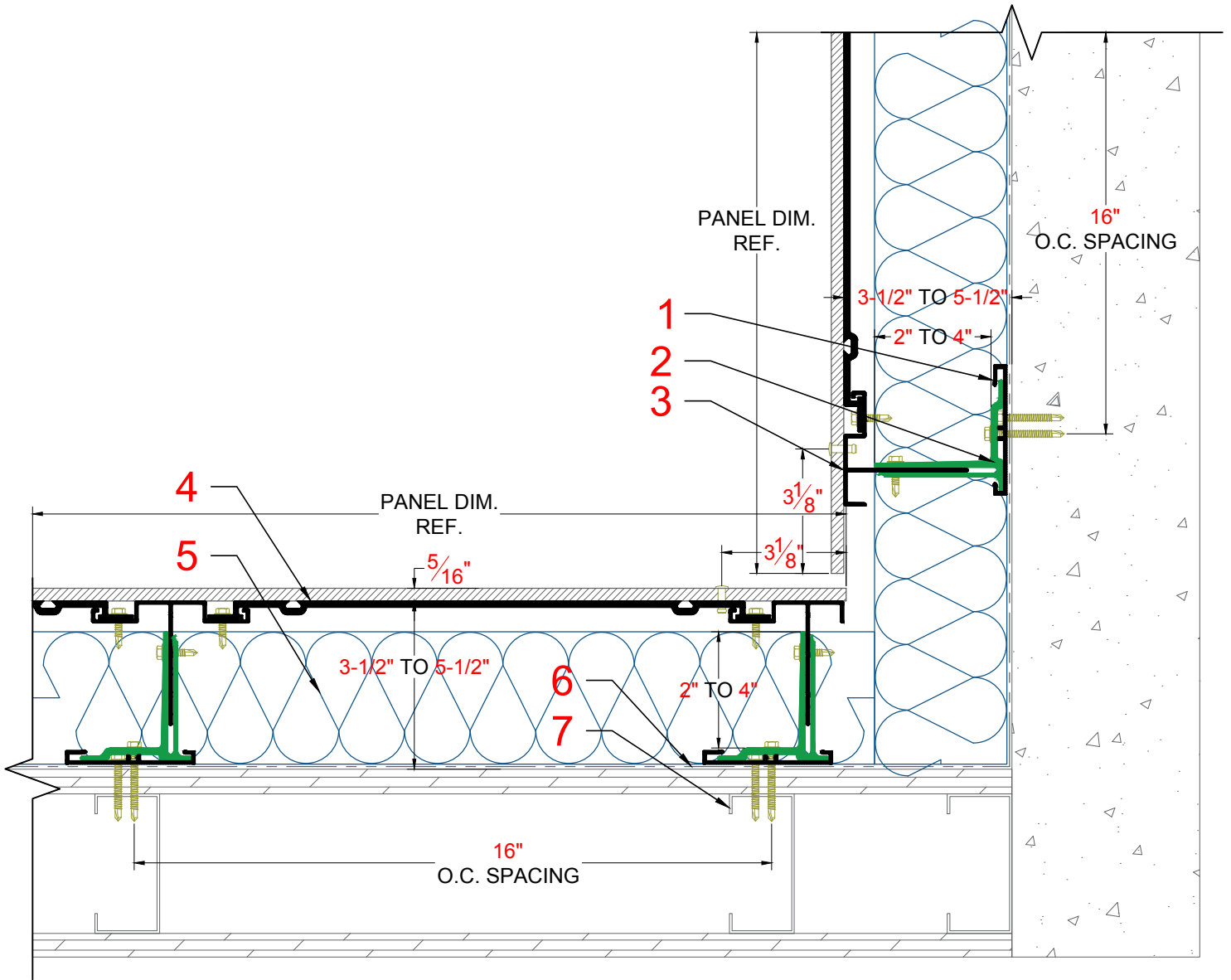


CL-TALON®
Universal Thermally Isolated Cladding Support Systems

Confidential Document: Property of CL-TALON. Any transfer of this document without the express written permission of CL-TALON is unlawful. This document includes: Originals, duplicates, and electronic versions. All are exclusive. Information contained herein or related hereto is intended only for evaluation by technically skilled persons, with any use thereof to be at their independent discretion and risk. Such information is believed to be reliable, but CL-TALON shall have no responsibility or liability for results obtained or damages resulting from such use. CL-TALON grants no license under, and shall have no responsibility or liability for, infringement of, any patent proprietary right. Sales of CL-TALON products shall be independent and subject exclusively to warranties set forth in CL-TALON acknowledgment. The foregoing may be waived or modified only in writing by an CL-TALON officer.

CL TALON - 300

THERMALLY ISOLATED ADJUSTABLE SYSTEM



SYSTEM CAN BE INSTALLED HORIZONTALLY, VERTICALLY, OR BOTH

ANY PRODUCT MAY BE APPLIED OVER CL-TALON SYSTEMS

LEGEND:

BY: CL TALON	BY: OTHERS
#1 CL TALON 300 BASE TRACK	#5 INSULATION
#2 CL TALON 300 THERME CLIP	#6 MOISTURE BARRIER
#3 CL TALON 300 ADJUSTABLE FLAT TRACK	#7 MASONRY/STUD WALL
#4 CL TALON MOUNTING SUPPORT (ALT.)	

FASTENER TYPES:

STUD WALL
#10 HWH SDS TEK3



FASTENER SIZE ADJUSTED BY STRUCTURAL ENGINEER

CL TALON - EQUITONE PANEL
INSIDE CORNER DETAIL
SCALE: 3" = 1' - 0"

SYSTEM SHOWN:
300

DATE: 08-13-2020

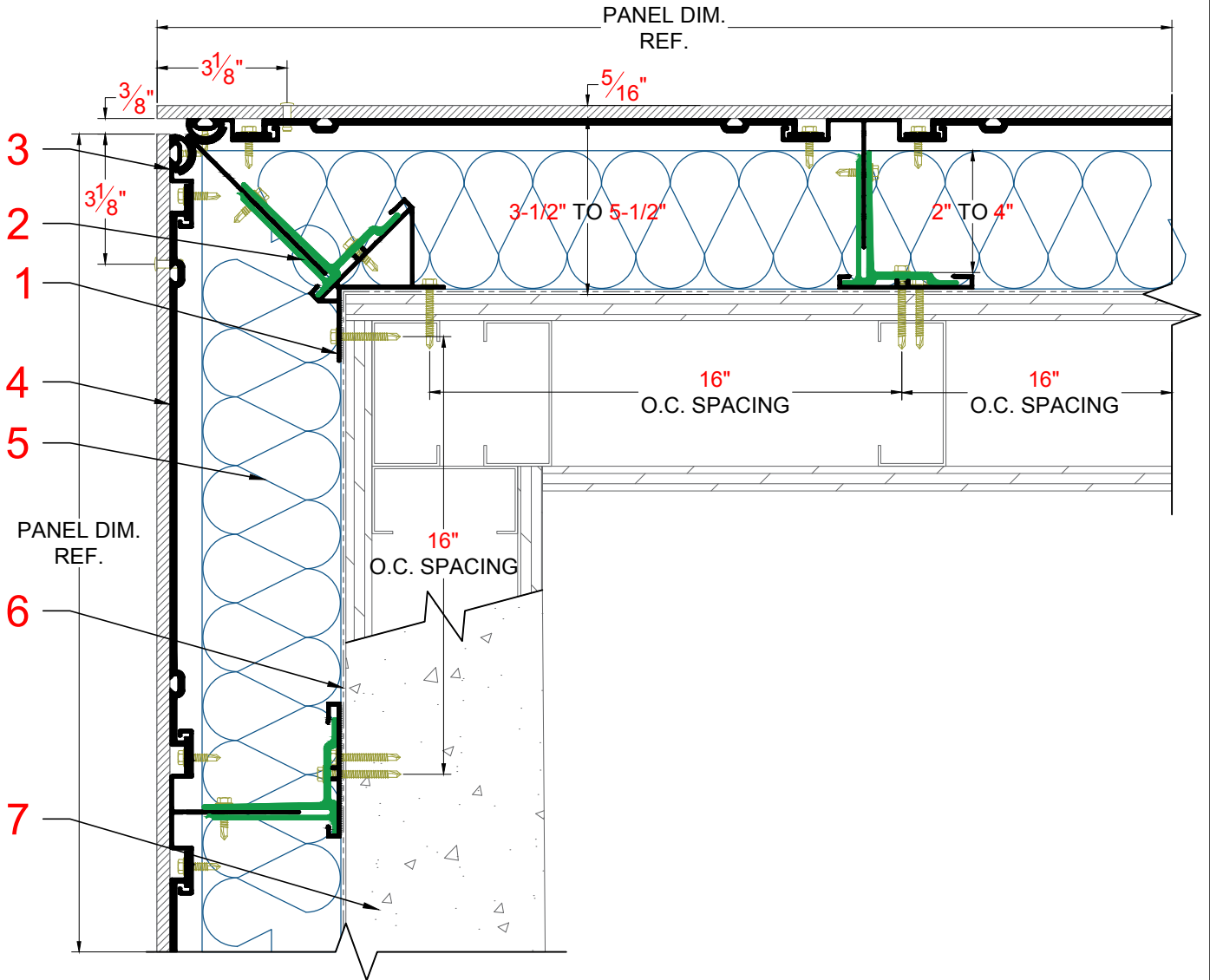


CL-TALON®
Universal Thermally Isolated Cladding Support Systems

Confidential Document: Property of CL-TALON. Any transfer of this document without the express written permission of CL-TALON is unlawful. This document includes: Originals, duplicates, and electronic versions. All are exclusive. Information contained herein or related hereto is intended only for evaluation by technically skilled persons, with any use thereof to be at their independent discretion and risk. Such information is believed to be reliable, but CL-TALON shall have no responsibility or liability for results obtained or damages resulting from such use. CL-TALON grants no license under, and shall have no responsibility or liability for, infringement of, any patent proprietary right. Sales of CL-TALON products shall be independent and subject exclusively to warranties set forth in CL-TALON acknowledgment. The foregoing may be waived or modified only in writing by an CL-TALON officer.

CL TALON - 300

THERMALLY ISOLATED ADJUSTABLE SYSTEM



SYSTEM CAN BE INSTALLED HORIZONTALLY, VERTICALLY, OR BOTH

ANY PRODUCT MAY BE APPLIED OVER CL-TALON SYSTEMS

LEGEND:

BY: CL TALON	BY: OTHERS
#1 CL TALON 300 CORNER BASE TRACK	#5 INSULATION
#2 CL TALON 300 THERME CLIP	#6 MOISTURE BARRIER
#3 CL TALON 300 CORNER	#7 MASONRY/STUD WALL
#4 CL TALON MOUNTING SUPPORT (ALT.)	

FASTENER TYPES:

STUD WALL
#10 HWH SDS TEK3



FASTENER SIZE ADJUSTED BY STRUCTURAL ENGINEER

CL TALON - EQUITONE PANEL
OUTSIDE CORNER DETAIL
SCALE: 3" = 1' - 0"

SYSTEM SHOWN:
300

DATE: 08-13-2020

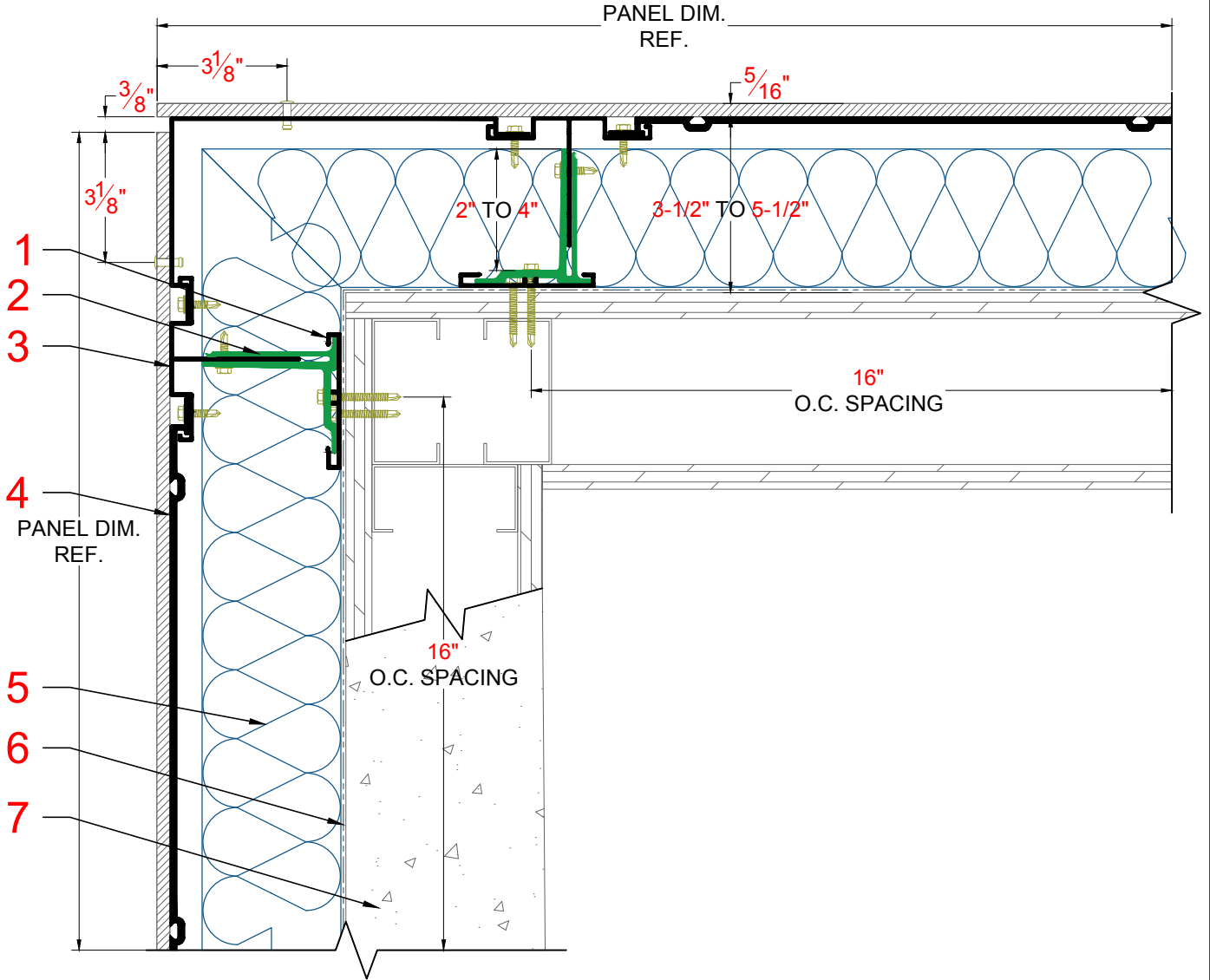


CL-TALON®
Universal Thermally Isolated Cladding Support Systems

Confidential Document. Property of CL-TALON. Any transfer of this document without the express written permission of CL-TALON is unlawful. This document includes: Originals, duplicates, and electronic versions. All are exclusive. Information contained herein or related hereto is intended only for evaluation by technically skilled persons, with any use thereof to be at their independent discretion and risk. Such information is believed to be reliable, but CL-TALON shall have no responsibility or liability for results obtained or damages resulting from such use. CL-TALON grants no license under, and shall have no responsibility or liability for, infringement of, any patent proprietary right. Sales of CL-TALON products shall be independent and subject exclusively to warranties set forth in CL-TALON acknowledgment. The foregoing may be waived or modified only in writing by an CL-TALON officer.

CL TALON - 300

THERMALLY ISOLATED ADJUSTABLE SYSTEM



SYSTEM CAN BE INSTALLED HORIZONTALLY, VERTICALLY, OR BOTH

ANY PRODUCT MAY BE APPLIED OVER CL-TALON SYSTEMS

LEGEND:

BY: CL TALON	BY: OTHERS
#1 CL TALON 300 BASE TRACK	#5 INSULATION
#2 CL TALON 300 THERME CLIP	#6 MOISTURE BARRIER
#3 CL TALON 300 ADJUSTABLE FLAT TRACK	#7 MASONRY/STUD WALL
#4 CL TALON MOUNTING SUPPORT (ALT.)	

FASTENER TYPES:

STUD WALL
#10 HWH SDS TEK3



FASTENER SIZE ADJUSTED BY STRUCTURAL ENGINEER

CL TALON - EQUITONE PANEL
OUTSIDE CORNER DETAIL
SCALE: 3" = 1' - 0"

SYSTEM SHOWN:
300

DATE: 08-13-2020



CL-TALON®
Universal Thermally Isolated Cladding Support Systems

Confidential Document: Property of CL-TALON. Any transfer of this document without the express written permission of CL-TALON is unlawful. This document includes: Originals, duplicates, and electronic versions. All are exclusive. Information contained herein or related hereto is intended only for evaluation by technically skilled persons, with any use thereof to be at their independent discretion and risk. Such information is believed to be reliable, but CL-TALON shall have no responsibility or liability for results obtained or damages resulting from such use. CL-TALON grants no license under, and shall have no responsibility or liability for, infringement of, any patent proprietary right. Sales of CL-TALON products shall be independent and subject exclusively to warranties set forth in CL-TALON acknowledgment. The foregoing may be waived or modified only in writing by an CL-TALON officer.