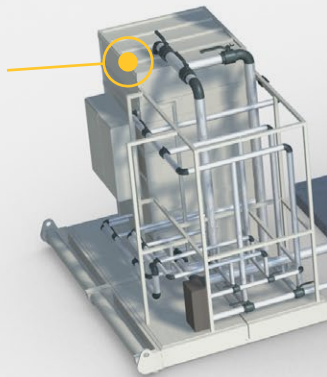


EcoVolt®

The **EcoVolt** is a bioelectrically-enhanced anaerobic treatment solution that eliminates biochemical oxygen demand (BOD) and generates renewable biogas from high-strength wastewater streams, producing clean water and clean energy.

Bioelectrically enhanced "Booster Skid" improves process efficiency, creates more higher quality biogas



State-of-the-art anaerobic treatment tanks provide affordable design flexibility, process efficacy and standardized designs provide faster delivery and lower cost

EcoVolt Specifications:

- Ideally suited to facilities generating wastewater flows between 15,000 and 300,000 gallons per day
- Produces a biogas (between 11.5 and 46 scfm, depending on size) at a higher methane fraction for optimal conversion into heat and electricity
- Can be used independently or with the BlueCycle MBR (membrane bioreactor) for further polishing
- Modular, prefabricated design allows for minimal footprint impact and flexible capacity increase
- Generates continuous feedback on system performance and automates organic loading and flow throughput to optimize treatment performance.

| | EVR1 | EVR2 | EVR3 |
|--|-------------------------------|--------------|--------------|
| EcoVolt Process Volume (gal) | 25,000 | 50,000 | 100,000 |
| Average Flow (gal/day) | 25,000 | 50,000 | 100,000 |
| Maximum Daily Flow (gal/day) | 50,000 | 100,000 | 200,000 |
| Average BOD Treatment (lb/day) | 1,045 | 2,090 | 4,180 |
| Maximum BOD Removal Efficiency | 80% | | |
| Dimensions, ø (ft) x H (ft) | 15.4 x 20.95 | 21.5 x 20.95 | 41.6 x 20.95 |
| Potential Biogas Generation (scfm) | 11.5 | 23.0 | 46.0 |
| Potential Biogas Energy Content (MMBTU/hr) | 0.5 | 1.0 | 2.0 |
| Production Location | USA — off-site, field-erected | | |
| Automated Control | Yes | | |
| Energy Efficiency Credits | Yes | | |
| Remote Monitoring Service | Optional | | |
| Sustainability Dashboard Package | Optional | | |
| Reuse Package Option | Yes — with EcoVolt MBR | | |

All EcoVolt Solutions are managed by the C3 Hub (command, control, communication), a 20- or 40-foot standard ISO container that houses:

- A Human Machine Interface (HMI) used to monitor process equipment
- A Programmable Logic Controller (PLC) that receives data from transmitters and digital inputs
- An Ethernet port to connect the system to the facility SCADA
- A small operator work station with space for sample testing and shelves for tool storage.



The C3 Hub provides:

- All necessary power distribution, panels, and drivers in a simple user interface
- Simple, low cost electrical installation, capacity expansion, and addition of packages, including our reuse package
- Space for testing and other day-to-day operational needs
- Remote communication with and control of your treatment system.

For peace of mind, leave wastewater management to Cambrian so you can focus on your core competencies.

Cambrian offers its entire product platform as a service. Under the WEPA (Water Energy Purchase Agreement®), Cambrian designs, builds, installs, owns, and operates your wastewater treatment system at no upfront cost. You simply pay for performance, on a per gallon basis, and focus your effort and equity on your core business.

Our Clients









