

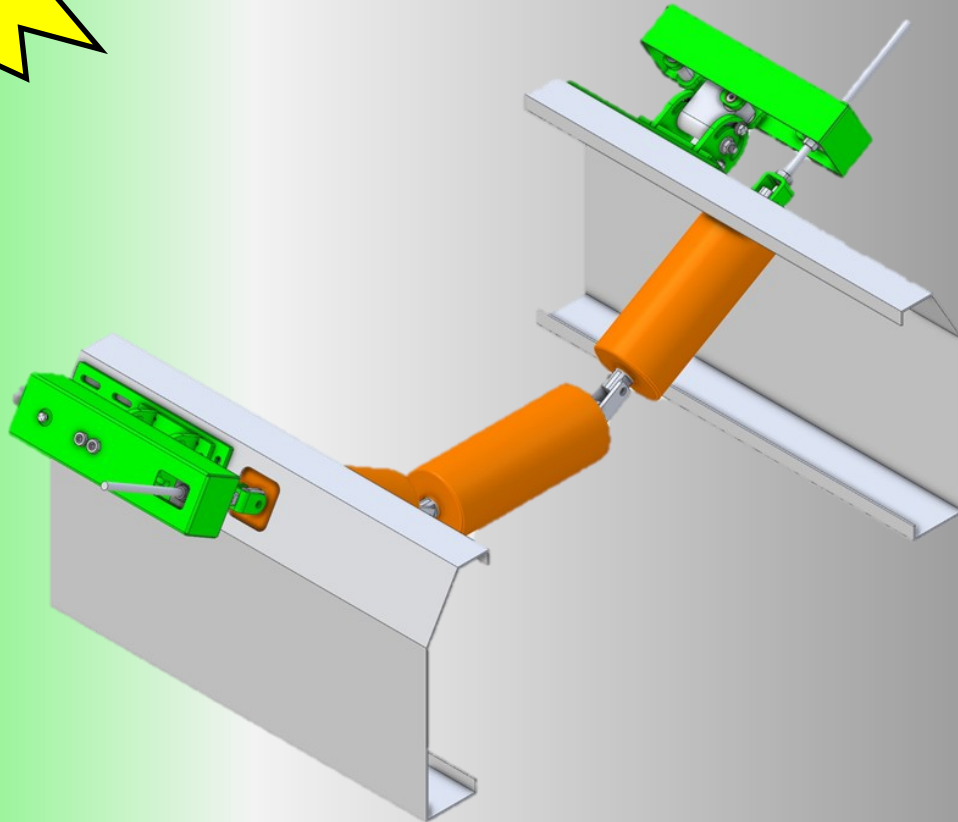
# **MCR Technologies Group, Inc.**

Home of the *Weigh Shark*, not just another scale company!



**NEW**

## ***Garland Scale***



### **Standard Features for Garland Scale**

- 1-Weigh Shark Control Box
- 1-Pair custom weigh bridge assembly with 500 Lb. load cells
- 1-Magnetic Speed Encoder
- 1-Automatic Angle Compensator
- 1-ON/OFF Remote Power Cutoff Breaker in Metal Enclosure
- Also included: Magnetic Mount Angle Indicator
- \* PATENT PENDING

6/26/2020

**MCR Technologies Group, Inc**  
P.O. Box 1016 Sterling, IL 61081  
815.622.3181  
[www.weighshark.com](http://www.weighshark.com)  
[sales@weighshark.com](mailto:sales@weighshark.com)

MCR Technologies Group, Inc is a North American Distributor for the following German Companies

**CASSEL**

Digital Metal Detector

CONVEYOR  
SAFETY SWITCHES

**KIEPE**  
ELEKTRIK

**EAB**  
AGGREGATE  
METAL DETECTORS

Analog Metal Detector