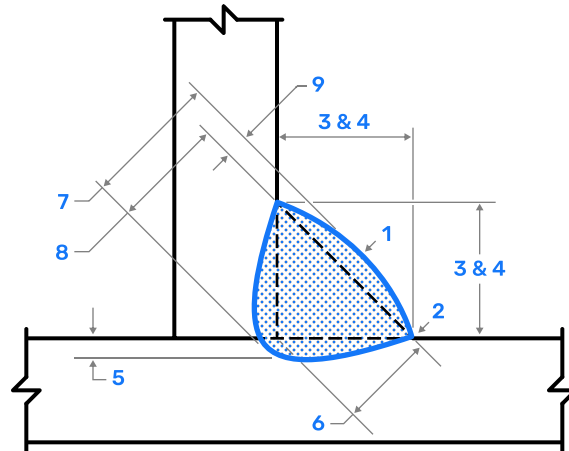


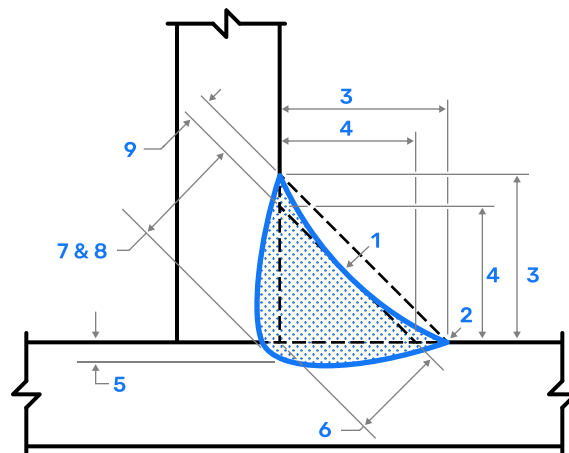
## CONVEX FILLET WELD

- 1 = WELD FACE
- 2 = WELD TOE
- 3 = LEG
- 4 = SIZE
- 5 = DEPTH OF FUSION
- 6 = THEORETICAL THROAT
- 7 = ACTUAL THROAT
- 8 = EFFECTIVE THROAT
- 9 = CONVEXITY



## CONCAVE FILLET WELD

- 1 = WELD FACE
- 2 = WELD TOE
- 3 = LEG
- 4 = SIZE
- 5 = DEPTH OF FUSION
- 6 = THEORETICAL THROAT
- 7 = ACTUAL THROAT
- 8 = EFFECTIVE THROAT
- 9 = CONCAVITY



## GROOVE WELD

- 1 = ROOT
- 2 = ROOT OPENING
- 3 = ROOT REINFORCEMENT
- 4 = ROOT FACE (LAND)
- 5 = DEPTH OF FUSION
- 6 = GROOVE FACE
- 7 = WELD FACE
- 8 = BEVEL ANGLE
- 9 = GROOVE ANGLE OR INCLUDED ANGLE
- 10 = WELD TOE
- 11 = WELD REINFORCEMENT

