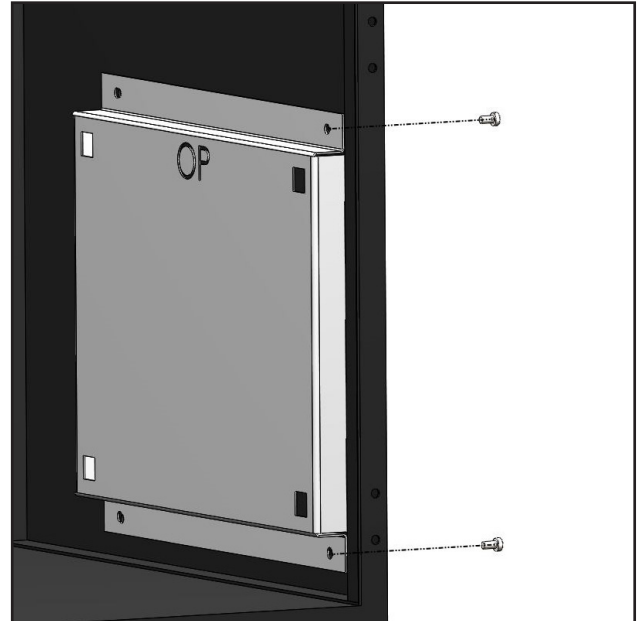


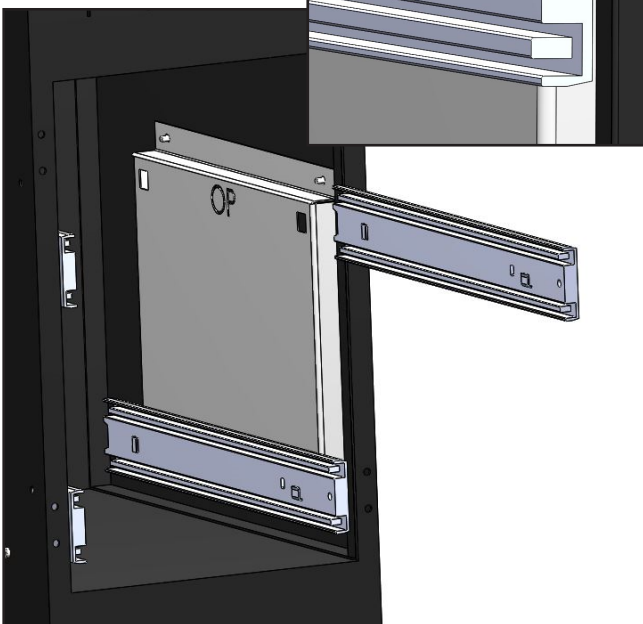


# MOBILE WORK

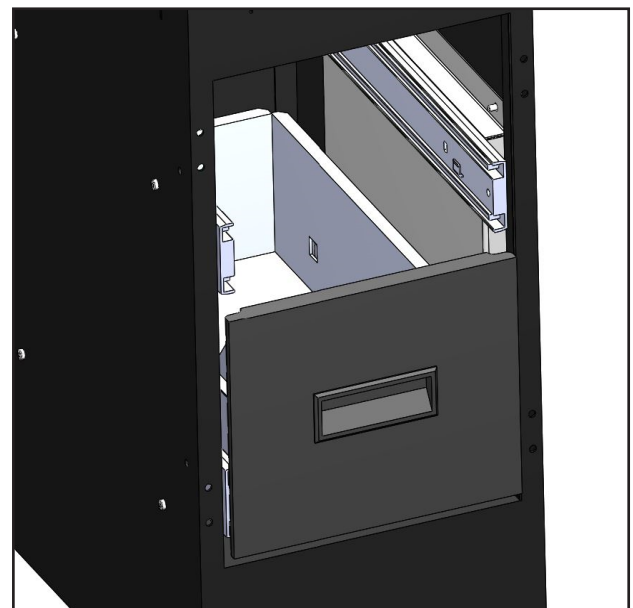
## - Drawers Installation guide



Install the shown plates with the supplied M4 screws. Do this with both plates inside Mobile Work Desk. BE AWARE that 'OP' needs to be at the top.



Install the sliding rails with the 'click system' in the square holes. BE AWARE of the difference in the right and left side rails. Push the rails into the holes as shown and then push them down.



Install the drawers using the 'click-system' in the square holes. The drawers is installed into the sliding rails by pushing them down.