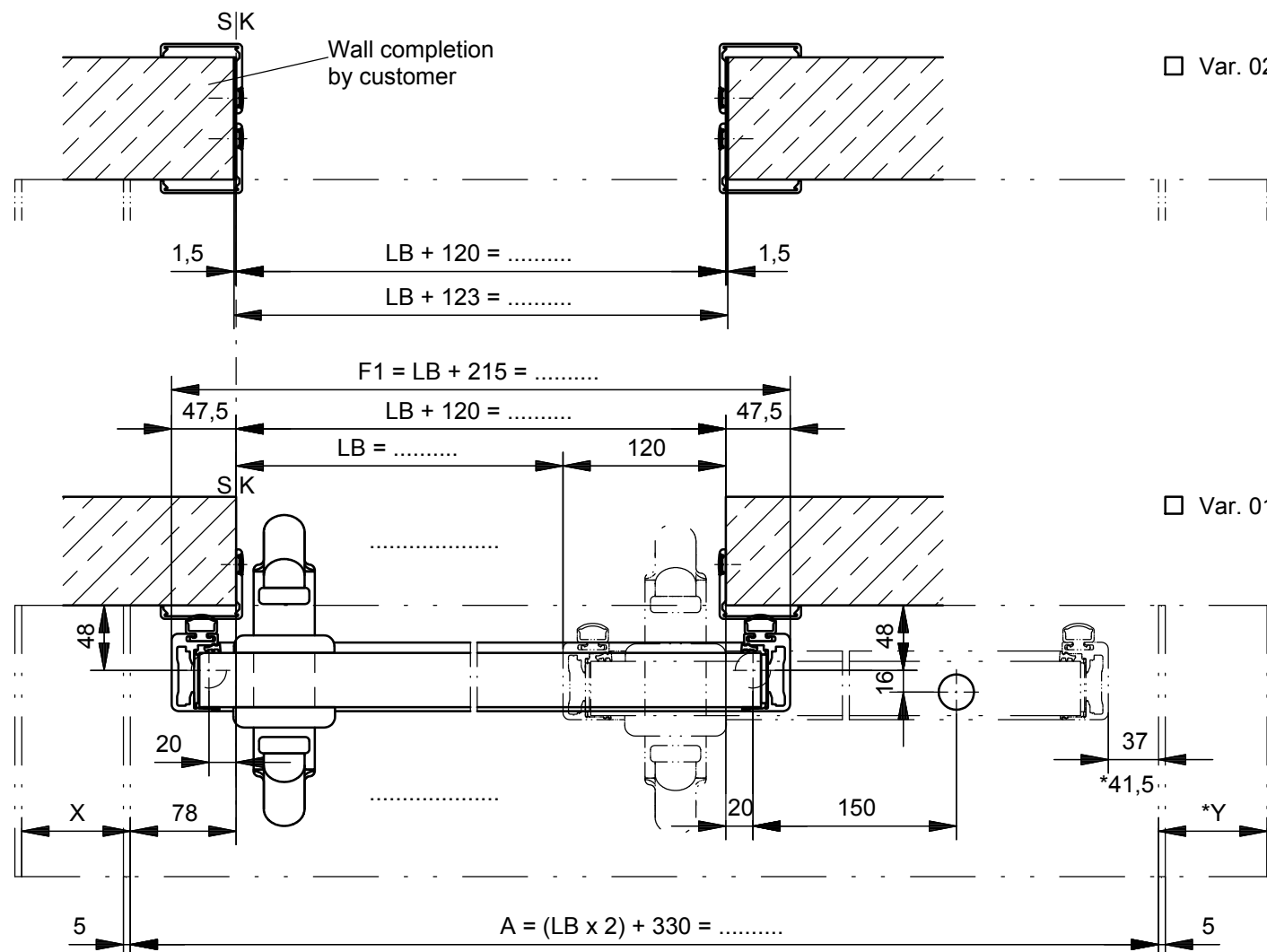
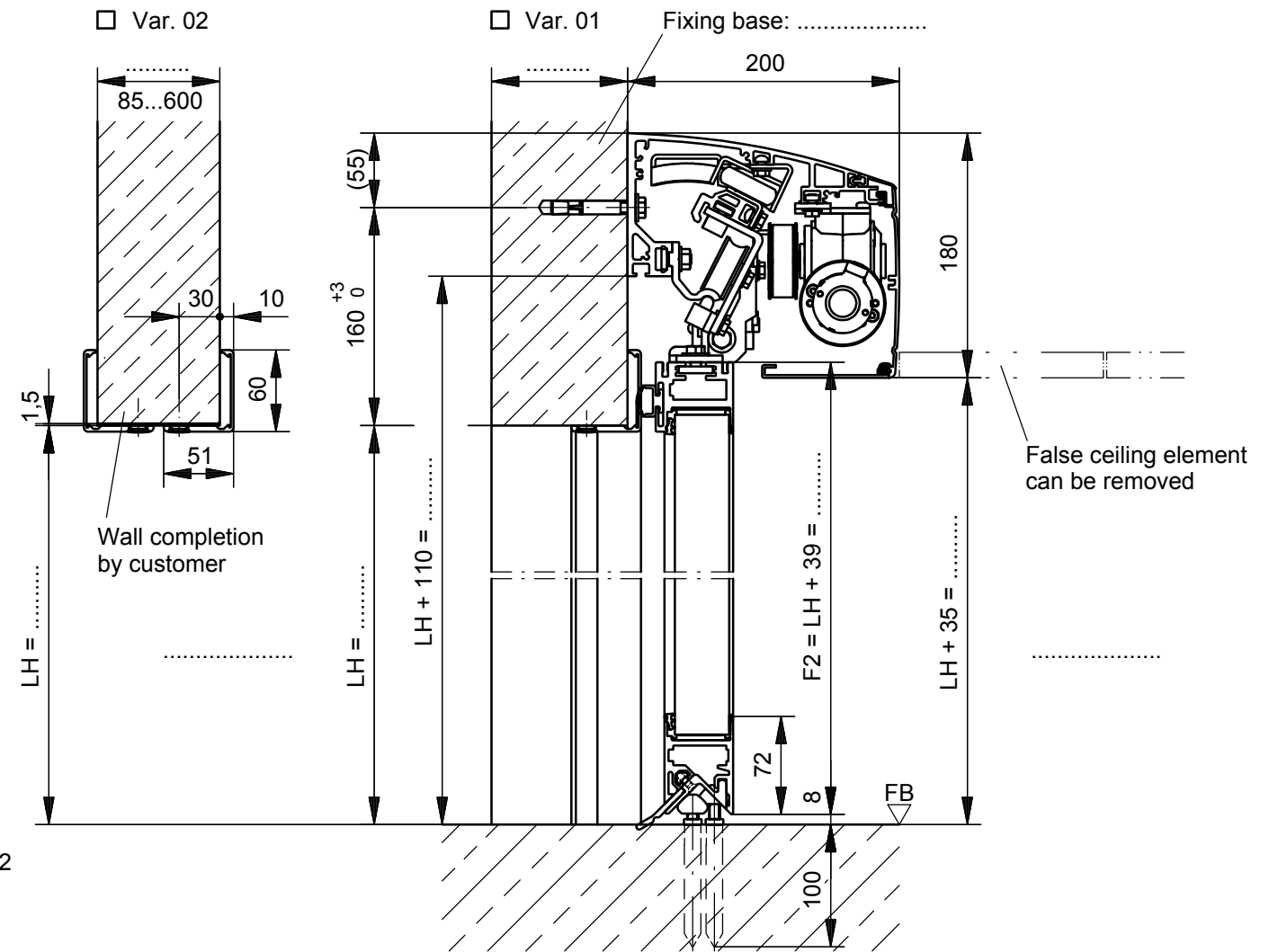
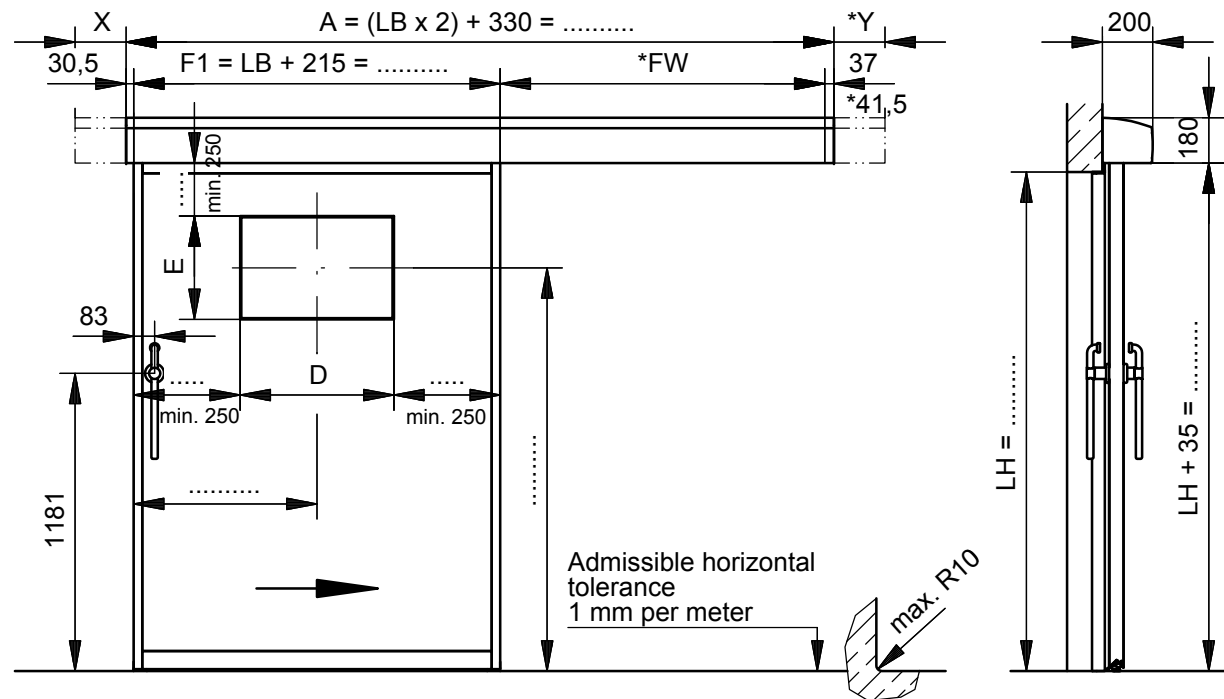


View from drive mechanism side



- A Drive mechanism case
- F1 Wing width
- F2 Wing height
- FB Finished floor
- FW Travel distance of the wing
- LB Clearance width
- LH Clearance height
- SK Closing edge

Opening lever			
<input type="checkbox"/> with opening lever *FW = LB + 47,5	<input type="checkbox"/> without opening lever complete opening *FW = LB + 163 *Y = 120		
Glass leaf: see P 14.06.13			
Window	D	E	
<input type="checkbox"/> IV-VSG flush with surface without frame	200...610		
Plan of cutouts and installations		G3-	

Surface treatment:

Approved (date/visa):

Installation: Com.-no.

Project:

Drawn (date/visa): Checked (date/visa): S3-

	SLX-D PSH Layout drawing Sandwich panel with/without opening lever Glass leaf without opening lever 1-winged opening to the right	P 14.06.11 Modifications reserved Measures in mm 2020.09