

THE ONLY WIRELESS WATER METER SOLUTION BUILT FOR THE FUTURE



Before developing IntelliH₂O® TrueWater, the Capstone Metering design engineering team took a long hard look at all of the strengths and weaknesses of the latest water meters. The result was a breakthrough technology that not only improves on the existing functionality of water meters, but also adds valuable new features and data feedback for a more efficient and cost effective water management system. A patented solution that offers ;

- Integrated Ball Valve for On/Off Control
- Modular 2-Way Wireless Communications Design
- Industry Leading Accuracy
- Integrated Pressure/Temperature Sensing and Alerts
- Integrated Rechargeable Battery System

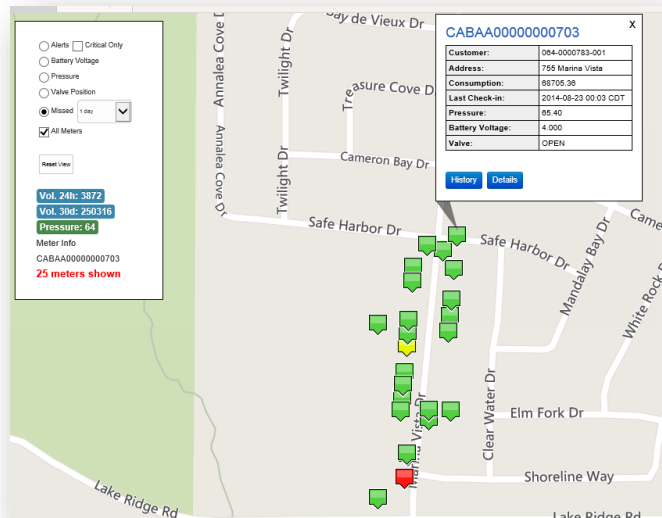
Advantages that effect your bottom line

Accurate volume – providing peace of mind for the utility operator

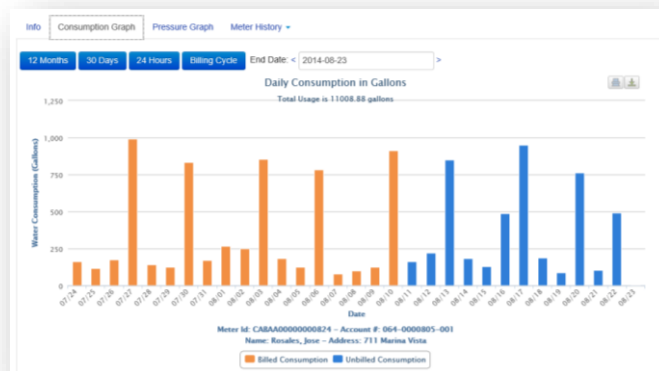
Integrated on-off control - reducing expense for the owner with wireless cloud control to the meter. Reducing costs associated with delinquent accounts.

Easy Wireless communications – no need to send costly maintenance personnel to do monthly billing reads, disconnect a customer or perform maintenance checks.

Automated system monitoring - providing critical data alerts such as constant water flow, freeze notification, critical pressure notification and others all thru a simple web application, email notification or text.

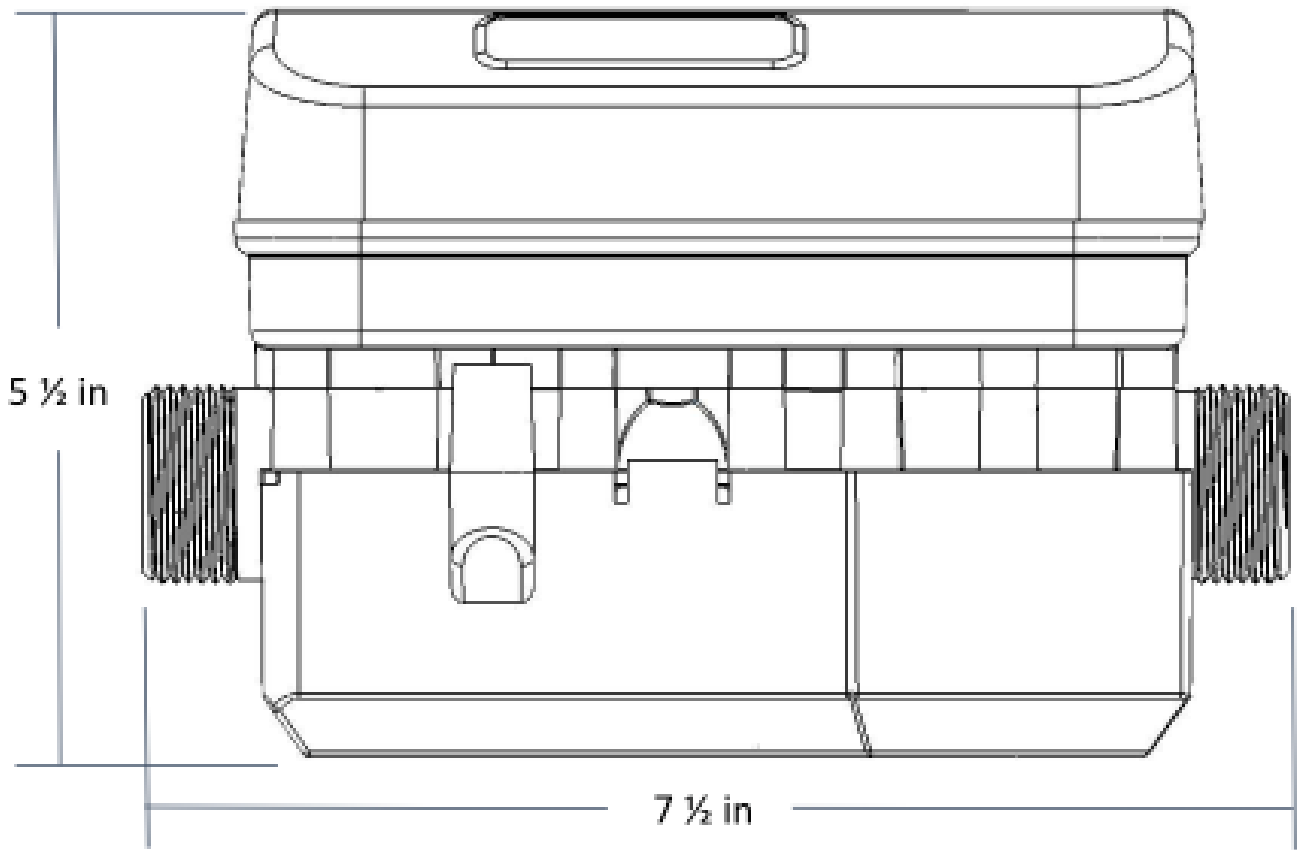


Easy to use WMA dashboard with alerts and usage conditions



Water usage reporting, automated leak notification

Patent Numbers
D666518
D681489
2007247918



<p>5/8 x 3/4 Residential meter</p>	<ul style="list-style-type: none"> Residential domestic water use 7 1/2 inch length
<p>Single Jet</p>	<ul style="list-style-type: none"> Start flow 0.2 GPM 3% Accuracy Normal Flow > .2 gpm to < 20 gpm 1.5% Accuracy Max Flow 25 gpm
<p>Operating Parameters</p>	<ul style="list-style-type: none"> Operating Pressure 150 PSI Max Pressure 300 PSI Operating Temperature -20°C (-4F) to 80°C (176..F) IP68 Rated
<p>Materials</p>	<ul style="list-style-type: none"> Housing Glass filled Noryl Flow components Hostaform Metal components Stainless Steel
<p>Headloss</p>	<ul style="list-style-type: none"> 15 PSI at 15 GPM



214-469-1065

Capstone Metering 3001 Summit Ave Suite 200 Plano, TX 75054