

Section 2.0 SPECIFICATIONS

Specifications for the Geoprobe® Model 7730DT are provided in this section. Refer to Table 2.1 below and Figures 2.1 and 2.2 for unit dimensions, capacities, and performance ratings.

Table 2.1: Selected specifications for the Geoprobe® Model 7730DT.

Unit Weight	9,600 lb	4358 kg
Working Height (to probe cylinder)	177 in.	4496 mm
Working Height (to winch mast)	184 in.	4674 mm
Transport Height	102 in.	2591 mm
Transport Width	78 in.	1981 mm
Transport Length	144 in.	3658 mm
Lateral Movement	39 in.	991 mm
Foot Travel	39 in.	991 mm
Probe Extension	30 in.	762 mm
Oscillation (both directions)	6 degrees from vertical	
Probe Cylinder Stroke	77 in.	1956 mm
Probe Cylinder Diameter	5 in.	127 mm
Down Force (maximum)	35,000 lb	156 kN
Retraction Force	47,000 lb	209 kN
Hydraulic Pressure (system)	2,450 psi	169 bar
Hydraulic Flow Rate (system)	40 gpm	151 L/min
Hammer System	GH60	
Percussion Rate	32 Hz	
Hammer Rotation Rate	0-240 RPM	
Hammer Rotation Torque	560 ft-lb	759 N-m
Engine Type	Kubota 4-Cylinder Turbo Diesel	
Engine Horsepower	75 Hp	56 kW
Engine Cooling System	Liquid	
Fuel Capacity (diesel)	30 gal.	114 L
Travel Speed	0-4.5 mph	0-7.2 kph
Surface Load	4.2 lb/in. ²	0.3 kg/cm ²
Water Transport Capacity	50 gal.	190 L
Pressure Washer Output (pressure)	0-1,700 psi	0-117 bar
Pressure Washer Output (flow)	0-3 gpm	0-11 L/min
Winch Rating	2,350 lb	1,067 kg
Winch Speed	0-75 fpm	0-23 m/min
Augerhead Torque (Low Torque / High Speed)	3,000 ft-lb	4067 N-m
(High Torque / Low Speed)	4,000 ft-lb	5423 N-m
Augerhead Rotation Rate (Low Speed / High Torque)	0-110 RPM	
(High Speed / Low Torque)	0-150 RPM	

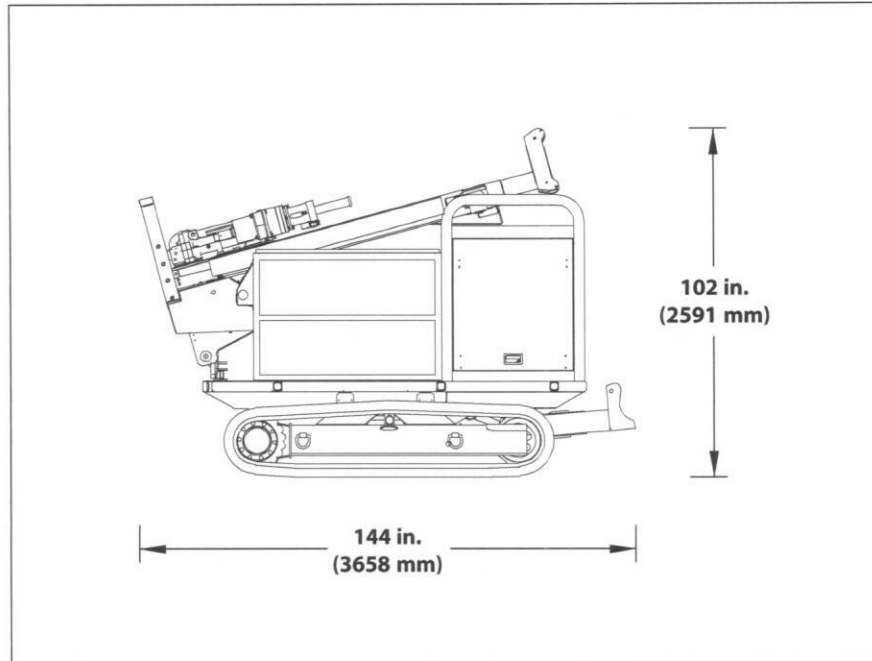


Figure 2.1: Geoprobe® Model 7730DT -- Probe derrick folded for transport, side view.

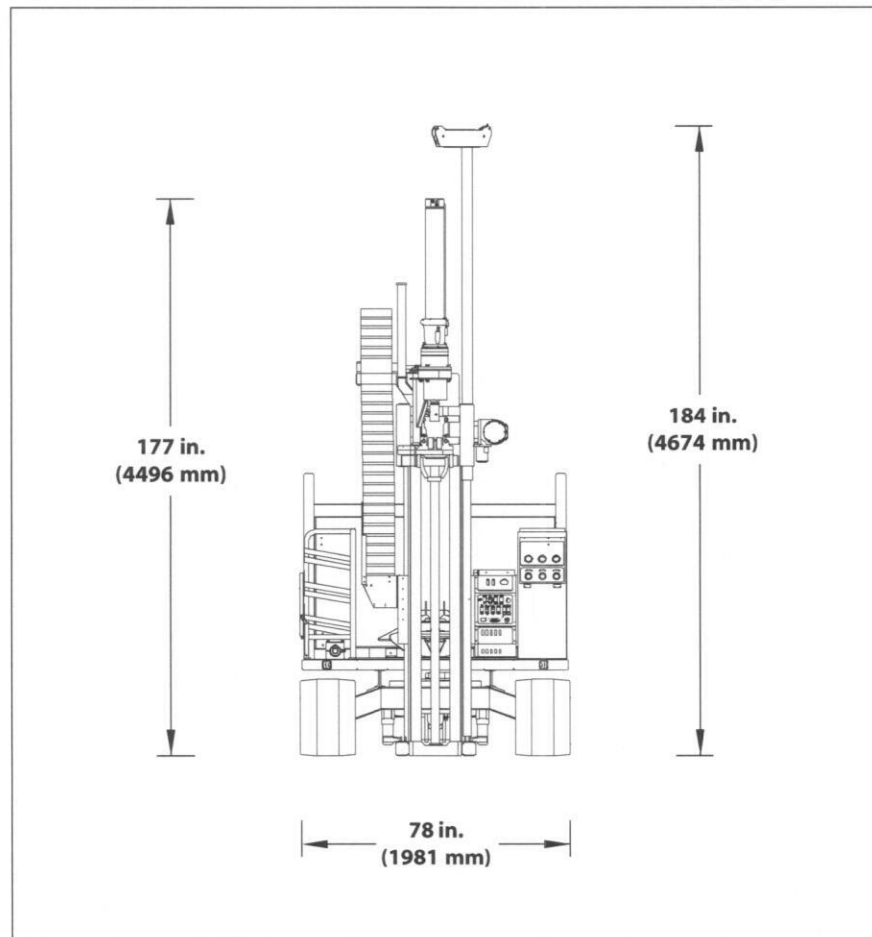


Figure 2.2: Geoprobe® Model 7730DT -- Probe derrick unfolded, front view.