



MINI Couplers

SIMPLE OPERATION

– As easy as 1–2

Easy Install

XEN Coupler

The world's **FIRST** instant latching, dual-locking quick coupler



Available in both **STANDARD** and **TILTING** versions

022 to 070 Weight Classes — **1.5 to 9** tonnes

 **wedgelo**

World Class Engineering | Simple Operation
Unprecedented Reliability | Patented Safety*

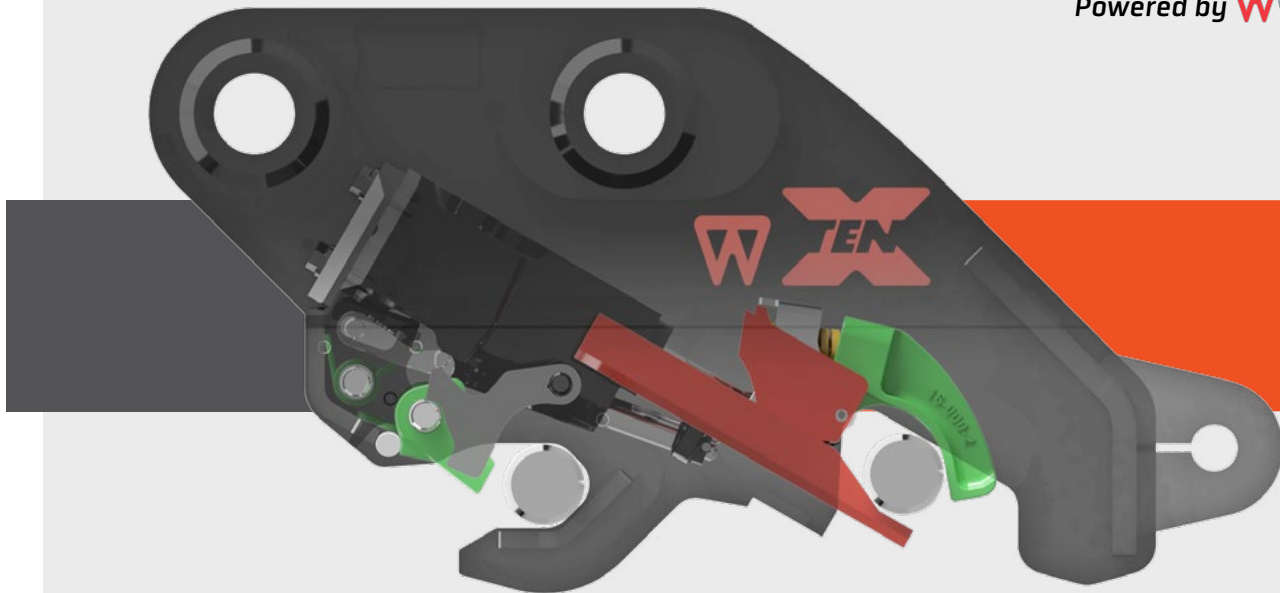
*Worldwide patents / patents pending

SAFE : COMPLIANT
SIMPLE : RELIABLE

The coupler that ticks **ALL** the boxes



Powered by wedgeloK



INSTANT SAFETY KNUCKLE

Coupler is locked to attachment and safe as soon as the first pin is engaged



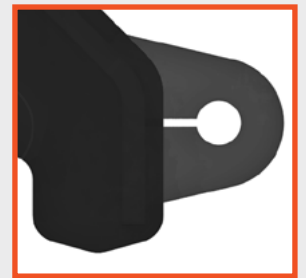
INSTANT RESET TRIGGER

Coupler is ready for re-attachment immediately after disengagement



WEDGE and SAFETY ARM

Safety Arm maintains pin-to-Wedge relationship in the event of loss of engagement force



LIFTING EYE

Increased working load limits allow lifting capability of the carrier machines to be maximised

ATTACHMENT CHANGE OPERATION
as easy as 1-2



Easy Install

Connects directly to factory fit 2-line carrier systems



MULTI-MODEL DESIGN

Easily fits almost all attachments in the weight class

Complies with the following standards/position papers: ISO 13031, AS4772-2008, EN474, NSW Quick Coupler position paper, NZ WorkSafe Best Practices. Specifications are subject to change without notice. All images used are representative only and may differ from actual product.



180° Tilt



WedgeloK Equipment Limited

1800 731 757

aussales@wedgeloK.com | www.wedgeloK.com.au