



US00D839257S

(12) **United States Design Patent**
Polseno, Sr.

(10) **Patent No.:** **US D839,257 S**
(45) **Date of Patent:** **** Jan. 29, 2019**

(54) **CELL PHONE CASE**

(71) Applicant: **Derrick Polseno, Sr.**, Smithfield, RI (US)

(72) Inventor: **Derrick Polseno, Sr.**, Smithfield, RI (US)

(**) Term: **15 Years**

(21) Appl. No.: **29/603,524**

(22) Filed: **May 10, 2017**

(51) **LOC (11) Cl.** **14-03**

(52) **U.S. Cl.**
USPC **D14/250**

(58) **Field of Classification Search**
USPC D14/248, 439, 203.3-203.7, 447, 238.1, D14/440, 251-253, 217, 240, 250; D3/201, 218, 247, 269, 273, 301, 303; D13/103, 107-108, 119
CPC H04B 1/3888; H04M 1/0283; H04M 1/0202; A45C 1/06; A45C 2011/002; A45C 11/00; A45C 13/02; A45F 2005/026; A45F 2200/0525; A45F 2200/0516

See application file for complete search history.

(56) **References Cited**

U.S. PATENT DOCUMENTS

5,833,100	A	11/1998	Kim	
6,249,684	B1	6/2001	Hasegawa	
7,597,225	B2	10/2009	Badillo et al.	
D605,188	S *	12/2009	Martinez	D14/253
D647,085	S *	10/2011	Chung	A45C 11/00 D14/250
8,049,727	B2 *	11/2011	Hanson	G06F 1/1601 345/156
D670,691	S *	11/2012	Novak	D14/253
D687,428	S *	8/2013	Kim	D14/253
8,560,031	B2 *	10/2013	Barnett	F16M 11/10 455/575.8
8,636,183	B1	1/2014	Steiner	

8,763,795	B1	7/2014	Oten et al.	
D715,791	S *	10/2014	Yu	D14/253
8,861,714	B1	10/2014	Leibenhaut et al.	
D718,290	S *	11/2014	Whitten	D14/250
8,960,630	B2 *	2/2015	Fu	F16M 11/10 248/371
8,960,634	B2	2/2015	Le Gette et al.	
D730,887	S *	6/2015	Lindemann	D14/253
D749,069	S *	2/2016	Senoff	D14/251

(Continued)

FOREIGN PATENT DOCUMENTS

WO WO2013019937 A1 2/2013

Primary Examiner — Carla J Wright

(74) *Attorney, Agent, or Firm* — Adler Pollock & Sheehan P.C.; Daniel J. Holmader, Esq.

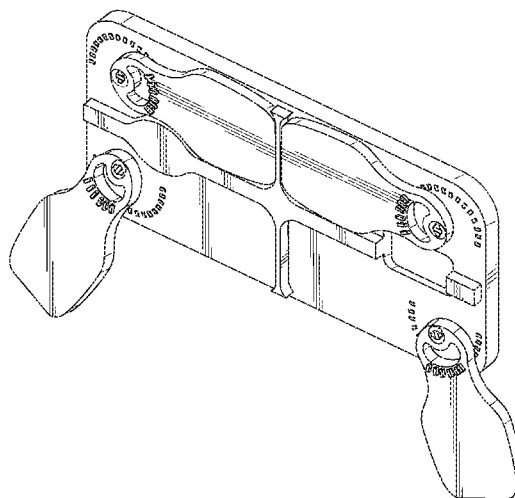
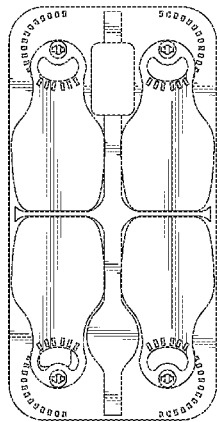
(57) **CLAIM**

The ornamental design for a cell phone case, as shown and described.

DESCRIPTION

FIG. 1 is a front elevation view of a cell phone case showing my new design;
 FIG. 2 is a top view thereof;
 FIG. 3 is a front perspective view thereof;
 FIG. 4 is a front elevation thereof, showing two lower elements of the cell phone case in an alternate configuration;
 FIG. 5 is a front perspective view thereof, showing two lower elements of the cell phone case in an alternate configuration;
 FIG. 6 is a second front perspective view thereof, showing two right-side elements of the cell phone case in an alternate configuration; and,
 FIG. 7 is an exploded front view thereof, showing four elements of the cell phone accessory separated from the underlying rear portion of the cell phone case for clarity of disclosure.

1 Claim, 7 Drawing Sheets



(56)

References Cited

U.S. PATENT DOCUMENTS

D749,558 S * 2/2016 Nielsen D14/251
D750,059 S * 2/2016 Atteridge D14/252
9,301,584 B2 * 4/2016 Butts A45C 11/00
9,423,671 B2 8/2016 O'Neill et al.
9,473,190 B1 10/2016 Sandlofer
D777,154 S * 1/2017 McGowan D14/250
D778,275 S * 2/2017 Gabriel D14/250
D780,739 S * 3/2017 Kalbach D14/250
9,653,934 B2 5/2017 Forristall et al.
D791,759 S * 7/2017 Lin D14/250
9,774,713 B2 9/2017 Guerdum et al.
2013/0079066 A1 3/2013 Chan
2014/0124388 A1 * 5/2014 McGowan G06F 1/1626
206/37
2014/0124521 A1 * 5/2014 Brown H05K 5/023
220/756
2014/0146193 A1 * 5/2014 Yang H04N 5/23203
348/211.4
2014/0167431 A1 6/2014 Enkerlin et al.
2015/0175309 A1 * 6/2015 McGowan B65D 25/2882
224/191
2016/0070156 A1 * 3/2016 Alster G03B 17/563
396/424
2016/0080024 A1 3/2016 Wilson et al.
2016/0262513 A1 * 9/2016 O'Neill A45C 11/00
2017/0214783 A1 * 7/2017 Filser H04M 1/72527

* cited by examiner

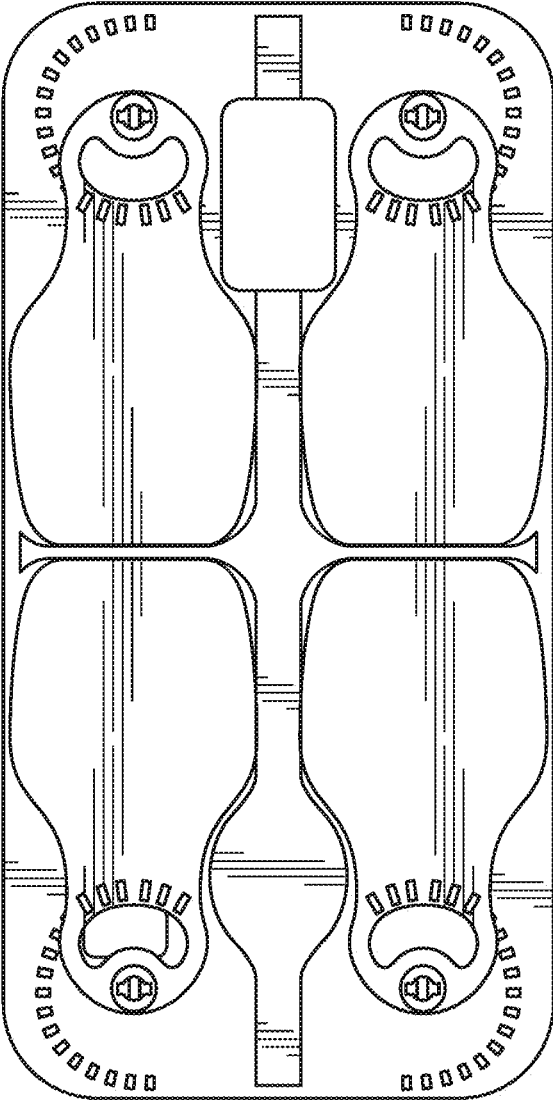


FIG. 1

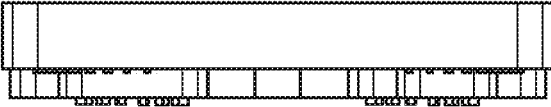


FIG. 2

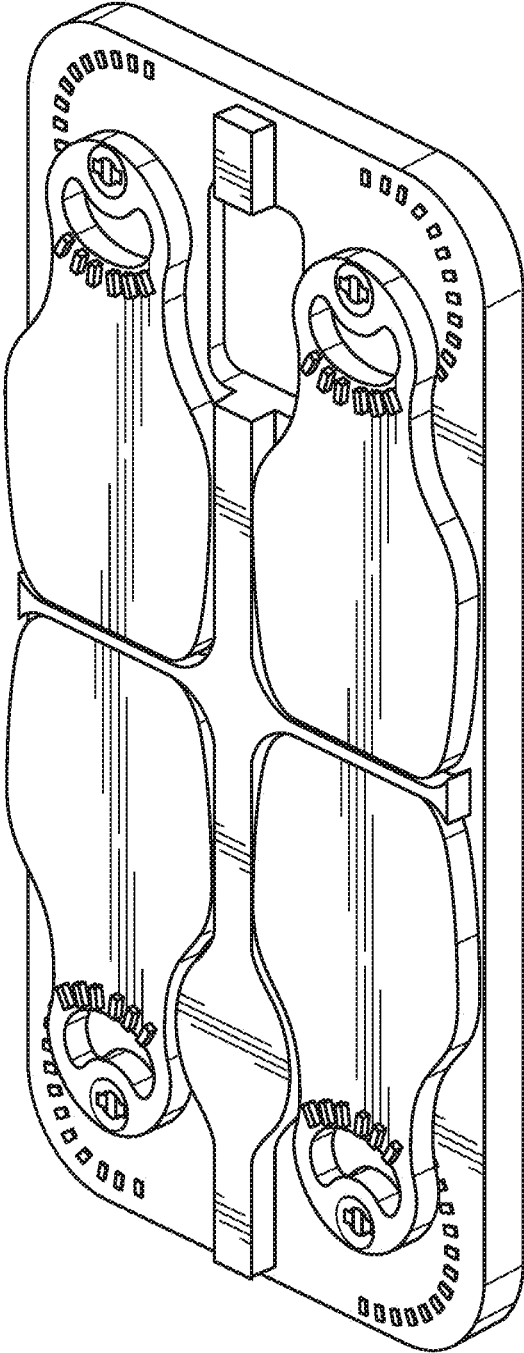


FIG. 3

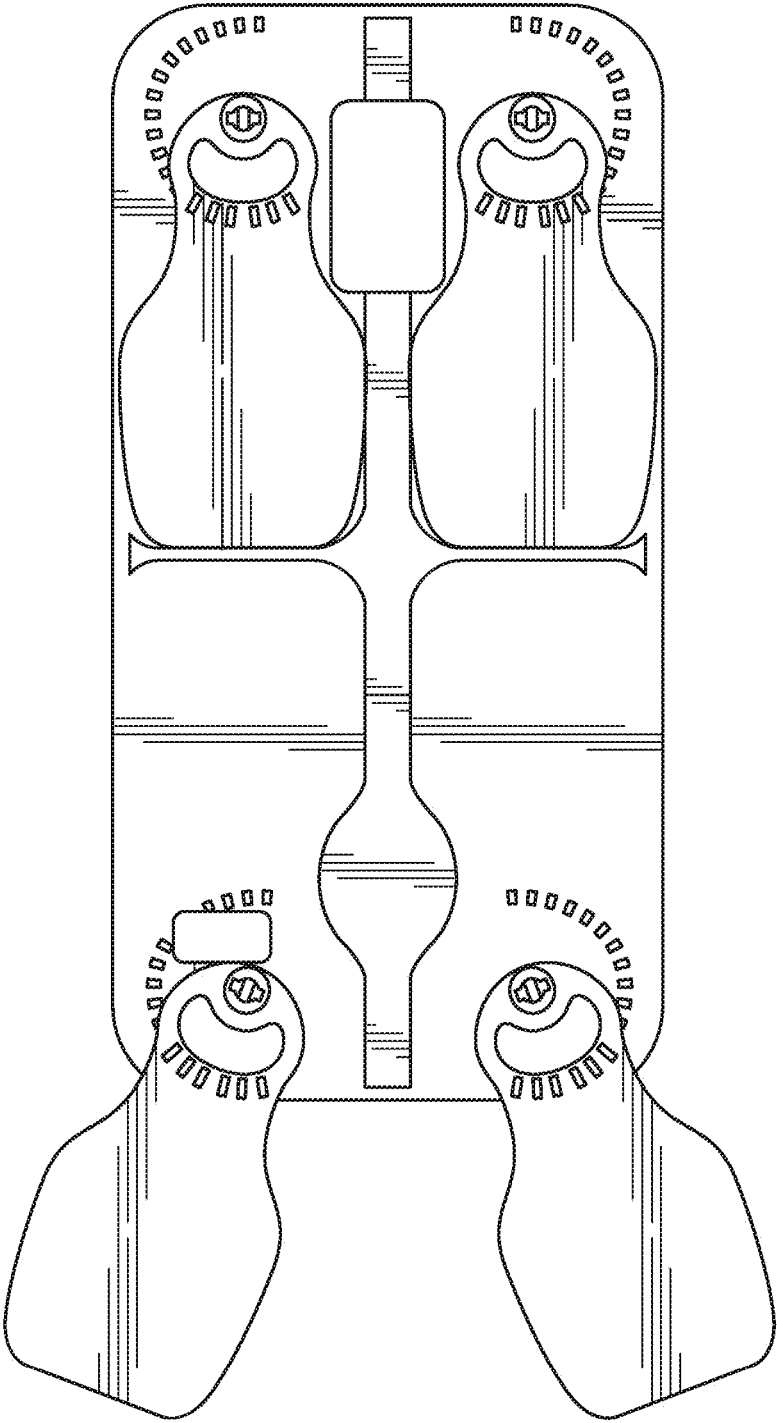


FIG. 4

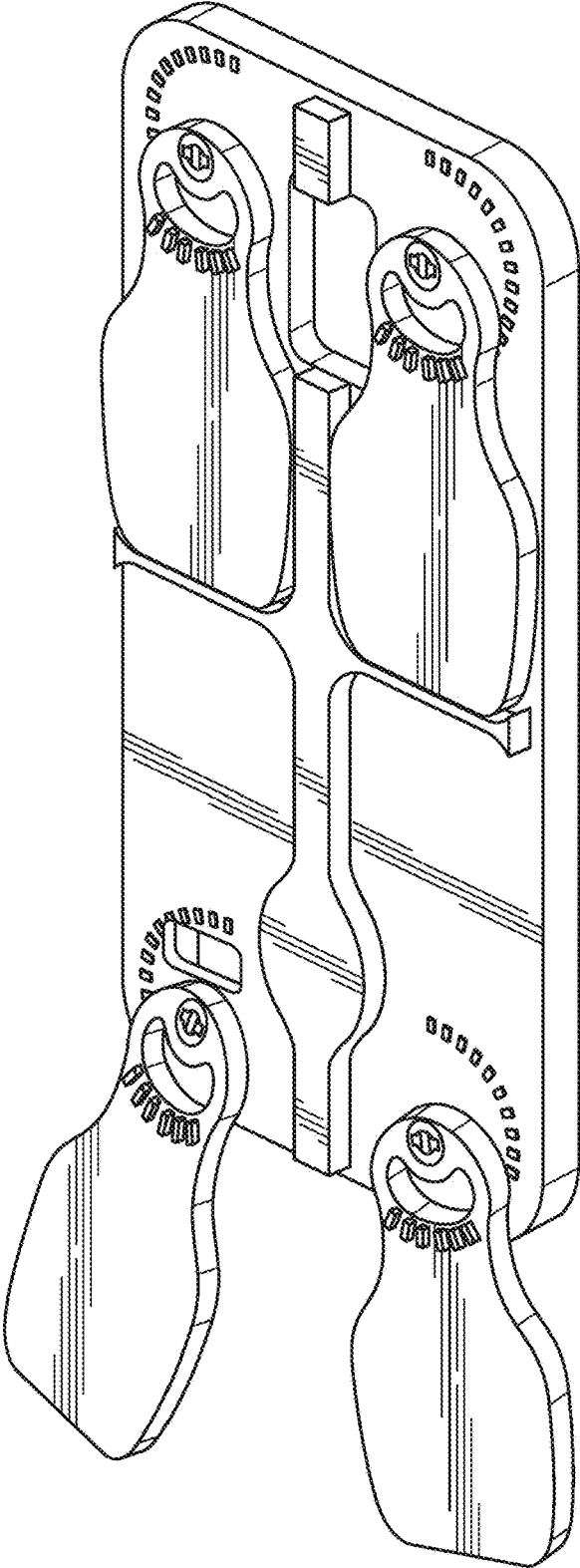


FIG. 5

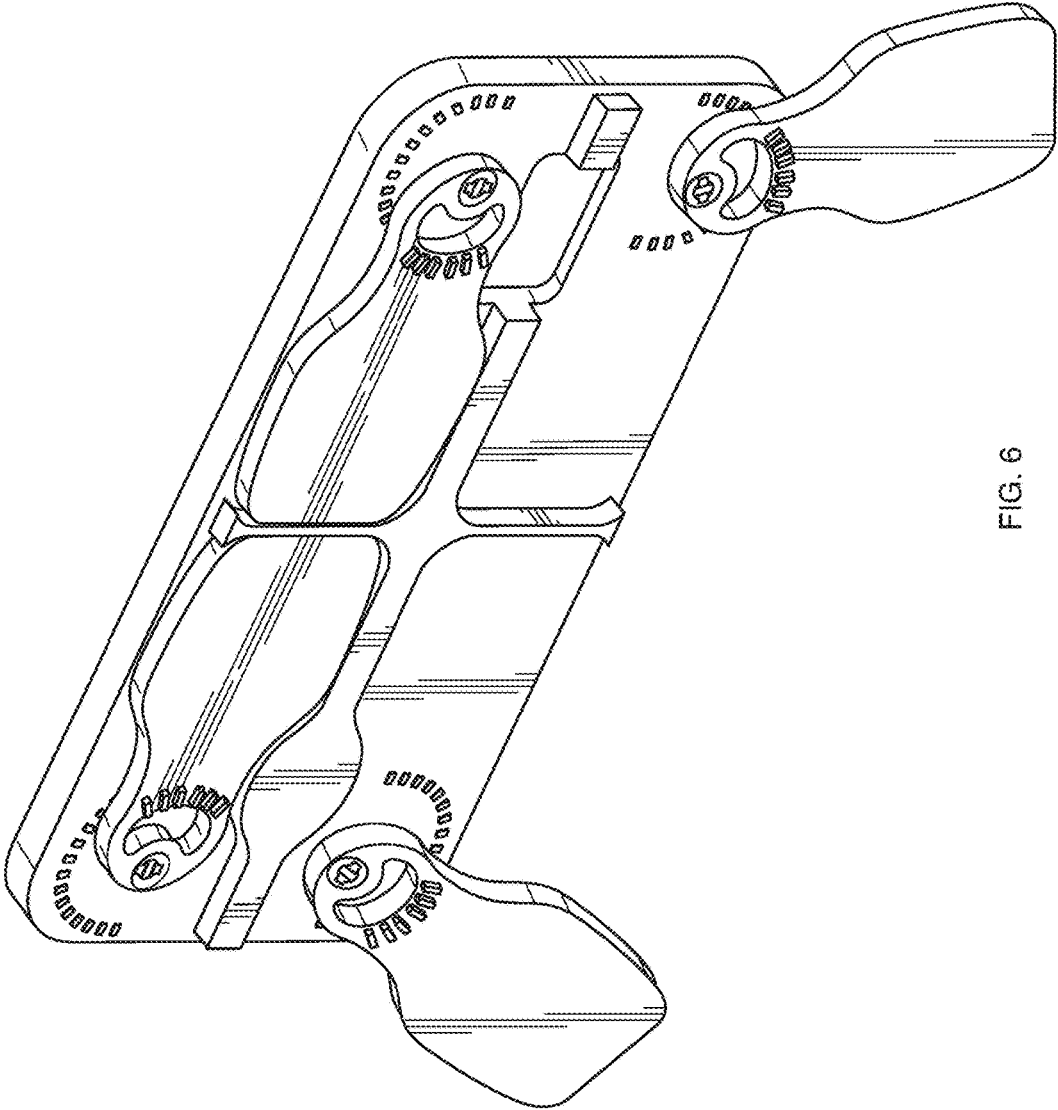


FIG. 6

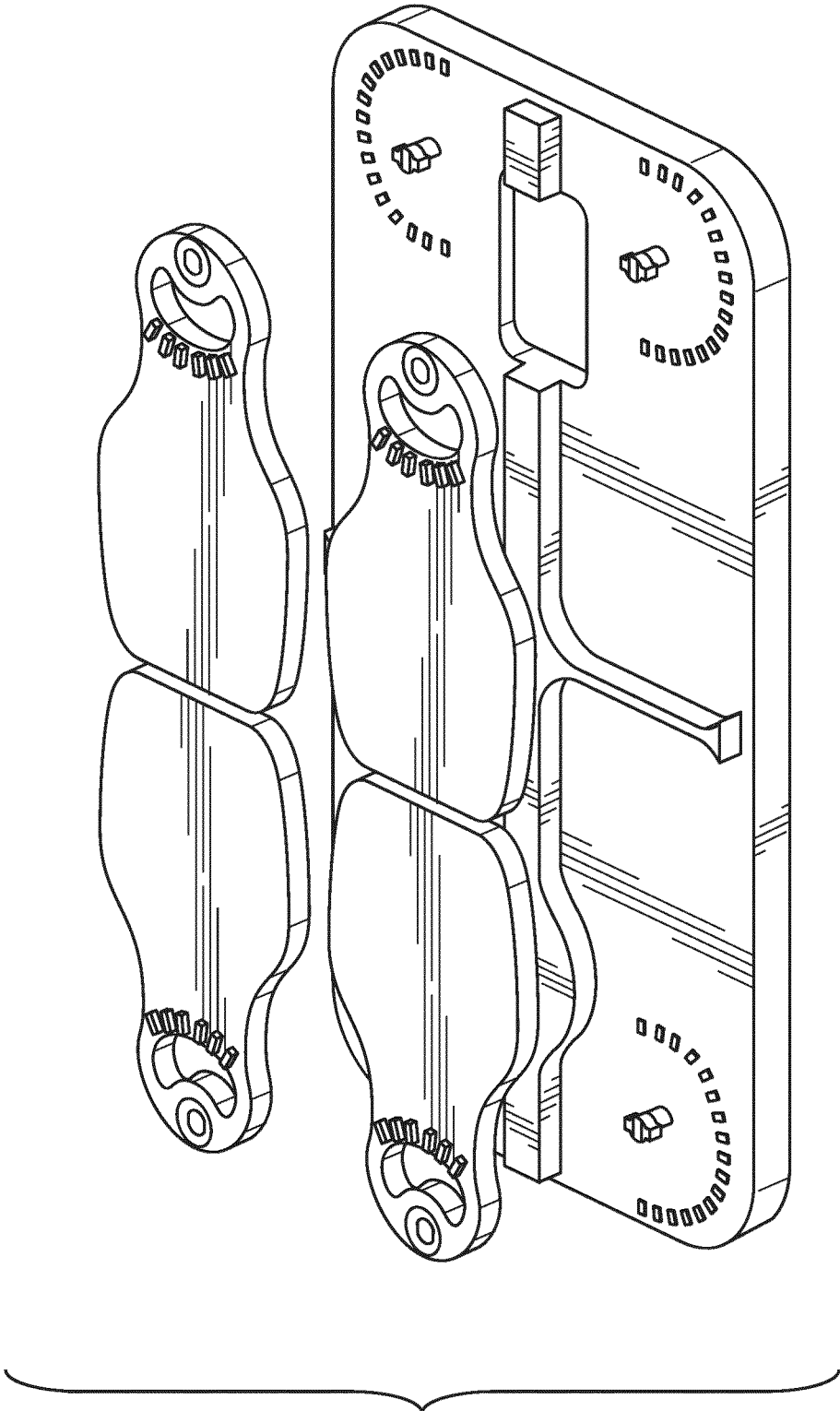


FIG. 7