



# PRORack | TITAN

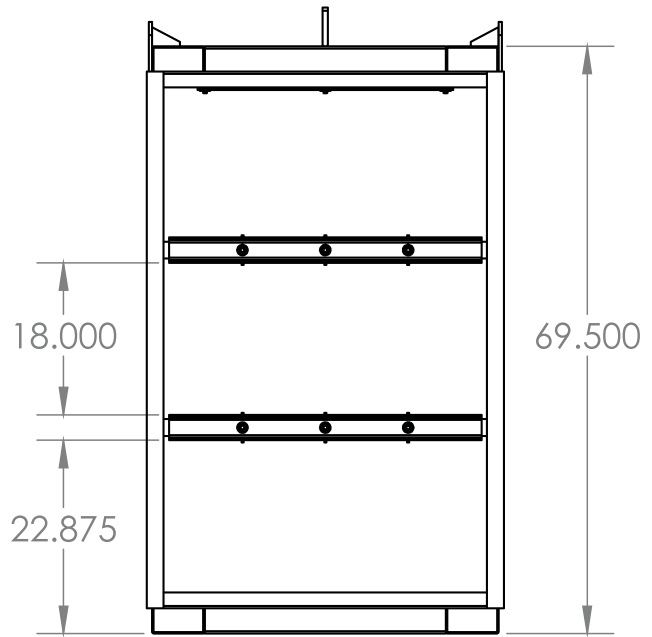
16 Cylinder Pack Cradle System



The ProRack TITAN 16 cylinder cradle is the newest member to the TITAN family of industry proven cradle systems! With over 100,000 units in service over the past 10 years, the TITAN is the ultimate workhorse of CDI's cylinder cradle fleet. The 16 cylinder TITAN system is designed and manufactured from extra robust materials for extreme construction, manufacturing and offshore performance. This TITAN is perfect for your largest gas users and remote customer locations where trips are not practical on a daily schedule. Designed to be moved by lift trucks and perfect for palletized trailers with tomb receivers.

### TITAN 16 Cylinder Cradle System Features

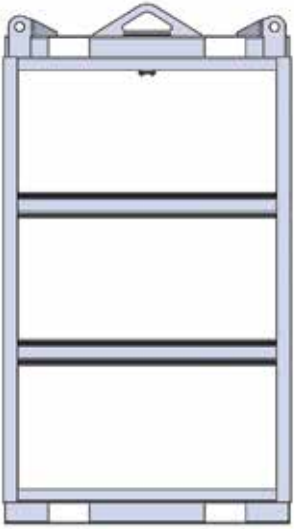
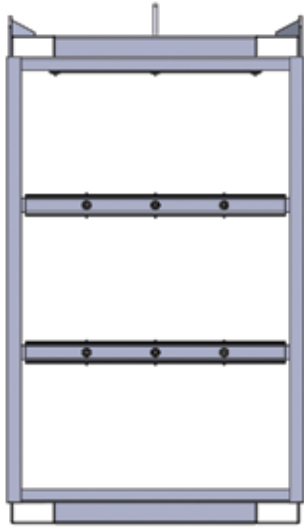
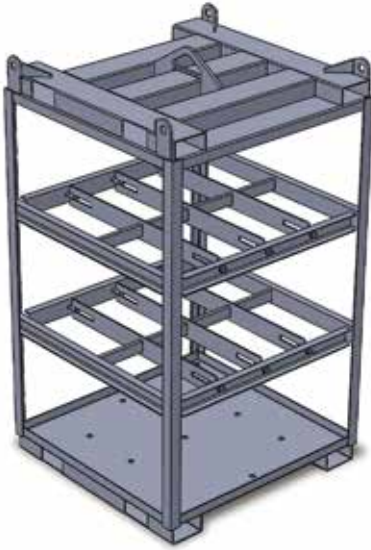
- Extra heavy design and materials for strength
- 8 way pick points, four at the base and two on the cover
- Extra heavy four corner lifting eyes
- Center crane eye
- Double sided cylinder restraints
- Built in protective manifold cover
- Small and large tomb receivers available
- Designed to handle 250-300 cuft cylinders
- Available in powder coat and galvanized finish
- Variety of MEDUSA brass and stainless steel manifolds are available



### TITAN 16 Cylinder Cradle Ordering Chart

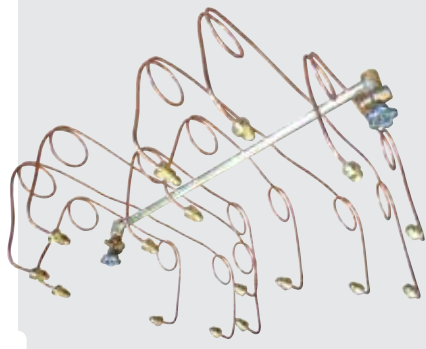
| #             | ''                                   | W    | H  | D  | lbs     |
|---------------|--------------------------------------|------|----|----|---------|
| CPID-16A      | Titan 16 Cylinder Cradle             | 40.5 | 75 | 42 | 550 lbs |
| CPID16AT      | Titan 16 Cylinder Cradle, large tomb | 40.5 | 75 | 42 | 550 lbs |
| CPID16AT-5025 | Titan 16 Cylinder Cradle, small tomb | 40.5 | 75 | 42 | 550 lbs |

**Maximum Design Capacity 4360 lbs**  
**2 to 1 Safety Factor**

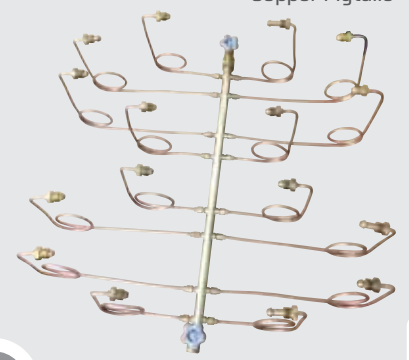


**Manifold Options**

Copper Pigtails



Replaceable Copper Pigtails



Flexible Hose Pigtails



Armor Casing Flexible Hose Upgrade



See pages 29-40 for complete manifold specifications

**Titan Ordering Information**

**ProRack TITAN 16 Cradle and Manifold Systems**

| Part Number                | Cylinder | Pigtail Configuration              | Tomb  |
|----------------------------|----------|------------------------------------|-------|
| #                          | ↑        | #                                  | □     |
| CPID16A-9016-XXX           | 16       | Copper                             | NA    |
| CPID16A-9116-XXX           | 1        | Replaceable Copper                 | NA    |
| CPID16A-9216-XXX           | 16       | 3000PSI Flexible Hoses             | NA    |
| CPID16AT-9016-XXX          | 16       | Copper                             | Large |
| CPID16AT-9116-XXX          | 16       | Replaceable Copper                 | Large |
| CPID16AT-9216-XXX          | 16       | 3000PSI Flexible Hoses             | Large |
| CPID16AT-9216-XXXPS        | 16       | 3600PSI Post Sintered              | Large |
| CPID16AT-9216-XXXPSAR      | 16       | 3600PSI Post Sintered, Armor Hoses | Large |
| CPID16AT-5025-9016-XXX     | 16       | Copper                             | Small |
| CPID16AT-5025-9116-XXX     | 16       | Replaceable Copper                 | Small |
| CPID16AT-5025-9216-XXX     | 16       | 3000PSI Flexible Hoses             | Small |
| CPID16AT-5025-9216-XXXPS   | 16       | 3600PSI Post Sintered              | Small |
| CPID16AT-5025-9216-XXXPSAR | 16       | 3600PSI Post Sintered, Armor Hoses | Small |