



PRORack BRUT

Economic 6 & 12 Cylinder Pack Cradle Systems



The ProRack BRUT cradle systems are the original and most economical option to provide your customers multiple cylinder hook up supplying your large volume gas users uninterrupted supply. The ProRack BRUT is industry proven with more units in service than any other cradle system. The design is very simple and includes a top and bottom secured by four extra strong threaded rods. The top and bottom secure the cylinders by compressing the cylinders with the all threaded rods. BRUT cradle tops are available as standard, and with protective cover and frame guard options giving the user total manifold protection. A wide selection of MEDUSA manifolds are available for use with the BRUT cradle systems.

ProRack BRUT Features

- Compact lightweight simple design.
- Lowest cost cradle available on the market.
- Manifold mounts simply to cradle frame top with 3/4" clamps.
- Two swivel & two rigid casters for easy movement.
- Designed to handle up to 244-300 CuFt cylinders.
- The BRUT is constructed with heavy duty materials for superior strength & durability yet are designed light to be very portable.
- Choose from a variety of brass and stainless steel manifold systems

ProRack BRUT Cradle and Manifold System Combinations		Ordering Chart
#	”	
CT6C-906-XXXST	BRUT 6 pack system, copper pigtails	
CT6C-916-XXXST	BRUT 6 pack system, replaceable copper pigtails	
CT6C-926-XXXST	BRUT 6 pack system, flexible hoses	
CT12C-912-XXXST	BRUT 12 pack system, copper pigtails	
CT12C-922-XXXST	BRUT 12 pack system, replaceable copper pigtails	
CT12C-932-XXXST	BRUT 12 pack system, flexible hoses	



Part Number | Standard BRUT cradle system
CT-6C | (Cylinders not included).



Part Number | Standard BRUT cradle system protective cover
CT-6C-PC | (Cylinders not included).



Part Number | Standard BRUT cradle system protective frame guard
CT-6C-FG | (Cylinders not included).

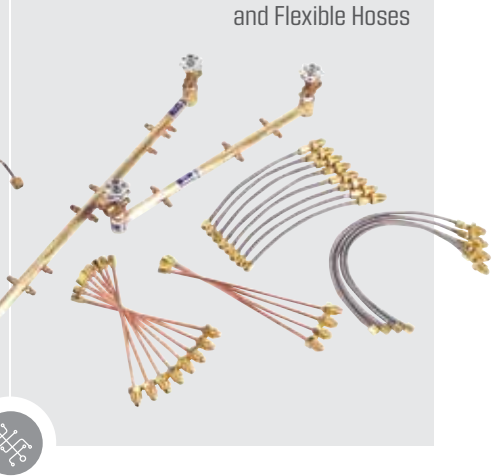


Common Brass Manifold Options

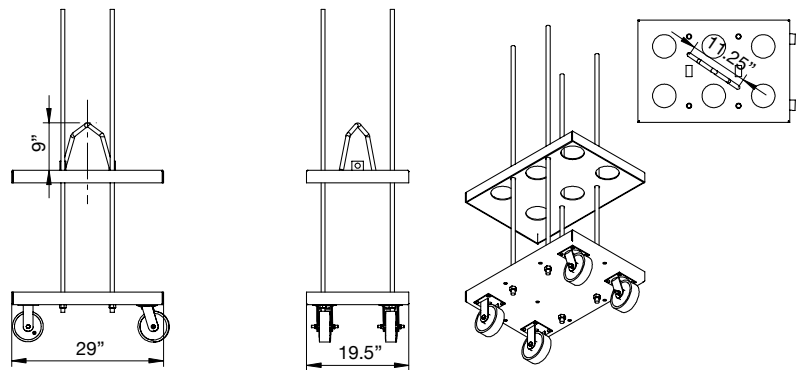
Copper Pigtails



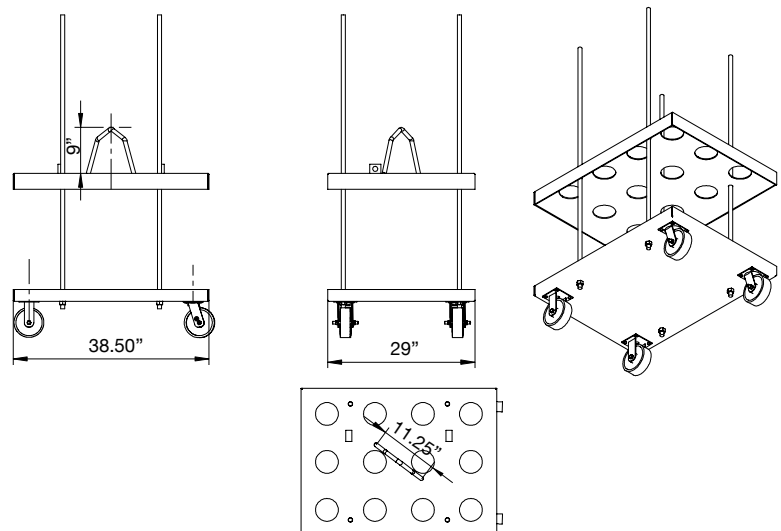
Replaceable Copper and Flexible Hoses



6 Cylinder BRUT Cradle



12 Cylinder BRUT Cradle



Brut Retro-TOP



Simple to install

- Remove original threaded rod nuts
- Disconnect manifold system
- Slide Retro-TOP over threaded rods
- Secure original threaded rod nuts
- Re-install original manifold system



Part Number CT-6RTOP | 6 Pack RetroTOP
Part Number CT-12RTOP | 12 Pack RetroTOP

All ProRack Brut cradles include:

- 1 Cradle bottom with four casters
- 1 Cradle top with crane eye
- 2 sets of manifold clamps
- 4 nuts, 4 washers, 4 threaded rods

ProRack BRUT RETRO-TOP additions

Ordering Chart

#	''
CT-6RTOP	BRUT 6 pack cradle Retro-TOP
CT-12RTOP	BRUT 12 pack cradle Retro-TOP