



PRORack 16 Cylinder Pallet 5025 Series

PALLETS



For trailers and trucks designed for palletized cylinder operations

ProRack manufactures cylinder pallets for a wide variety of delivery trucks and trailers compatible with many tomb, picket and nesting systems found in the industry. ProRack's cradle and manifold expertise combined with steel product manufacturing volume result in high quality and competitive solutions for your cylinder distribution requirements.

Outstanding Cylinder Pallet Features

- Designed to handle up to 16 large high pressure cylinders.
- Heavy duty construction with durable powder coated finish for years of service life. Galvanizing option available.
- MEDUSA manifolds and compatible mounting hardware are available for all the ProRack pallet systems.
- This pallet is commonly used with major gas producers fleet trucks. Custom pallets are available to fit your exact dimensions.

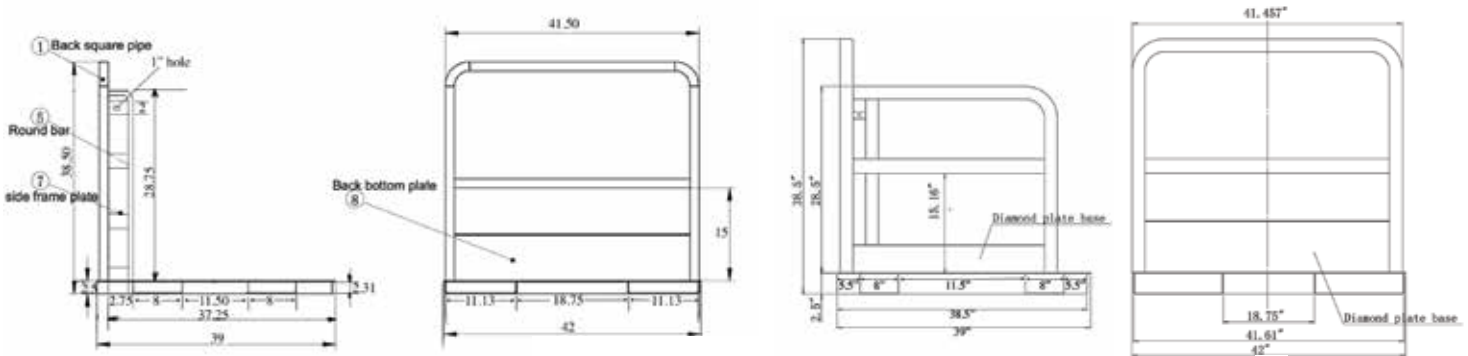
Pallet 5025LD

Height: 39"
Width: 42"
Depth: 39"
Weight: 225lbs



Pallet 5025

Height: 39"
Width: 42"
Depth: 39"
Weight: 240lbs



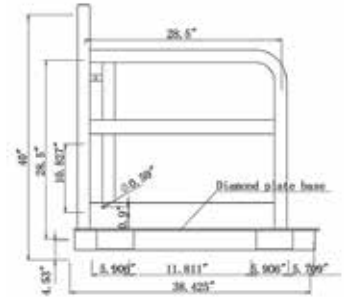
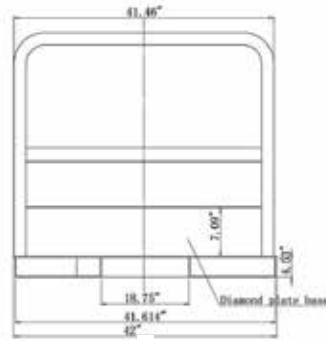
ProRack 16 Cylinder Pallet System Ordering Chart

Part Number	Description	Width	Depth	Height	Weight
#	''	W	D	H	lbs
Pallet-5025LD	ProRack 16 Cylinder Pallet	42"	39"	39"	225 lbs
Pallet-5025	ProRack 16 Cylinder Pallet	42"	39"	39"	240 lbs

* Ratchet straps sold separate.

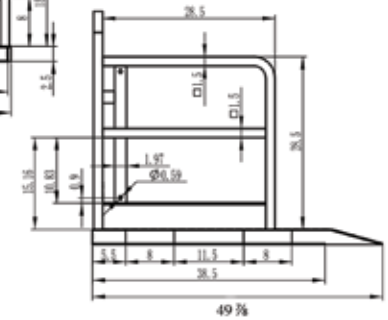
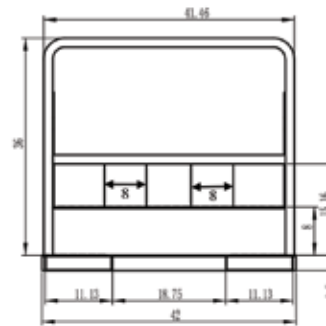
Pallet 5025PJ

Height: 40"
Width: 42"
Depth: 39"
Weight: 250lbs



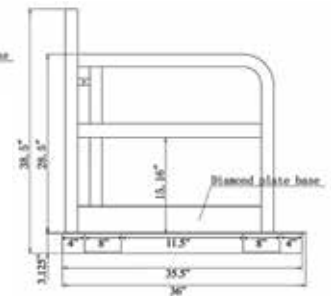
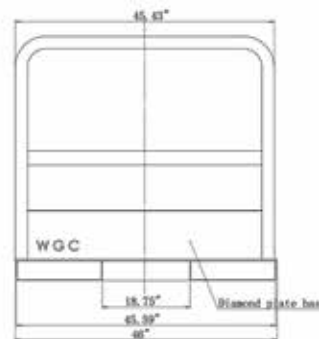
Pallet 5025R

Height: 39"
Width: 42"
Depth: 50"
Weight: 240lbs



Pallet 5025W

Height: 40"
Width: 46"
Depth: 36"
Weight: 250lbs



ProRack 16 Cylinder Pallet System		Ordering Chart			
Part Number	Description	Width	Depth	Height	Weight
#	»	W	D	H	lbs
Pallet-5025PJ	ProRack 16 Cylinder Pallet	42"	39"	40"	250 lbs
Pallet-5025R	ProRack 16 Cylinder Pallet	42"	50"	39"	240 lbs
Pallet-5025W	ProRack 16 Cylinder Pallet	46"	36"	40"	250 lbs

* Ratchet straps sold separate.