

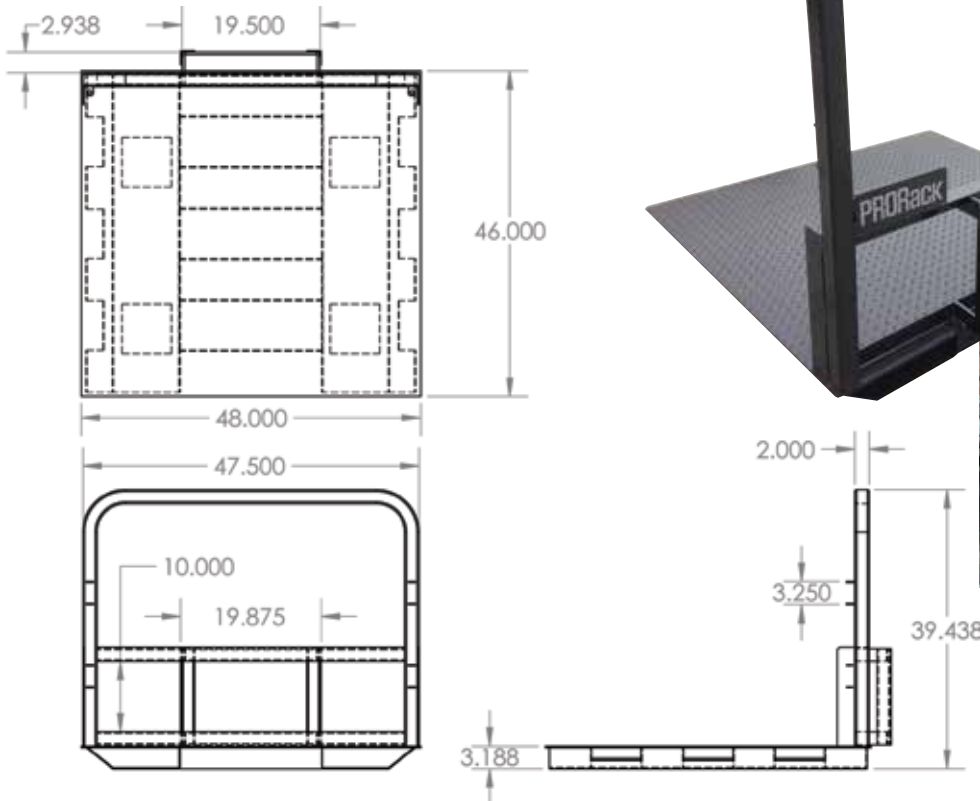
# 18 Cylinder Pallet 3025A

For trailers and trucks with tomb style receivers

ProRack manufactures cylinder pallets for a wide variety of delivery trucks and trailers compatible with many tomb, picket and nesting systems found in the industry. ProRack's cradle and manifold expertise combined with steel product manufacturing volume result in high quality and competitive solutions for your cylinder distribution requirements.

## Outstanding Cylinder Pallet Features

- Designed to handle up to 18 large high pressure cylinders.
- Heavy duty construction with durable powder coated finish for years of service life. Galvanizing option available.
- Constructed with heavy duty 3/16" diamond tread steel base plate for strength.
- Upper and lower cylinder straps offer a secure solution while transporting cylinders.
- The part # PALLET-3025A is designed to be fork lifted from two directions for easy mobility.
- This pallet is commonly used with many major gas producers fleet trucks. Custom pallets are available to fit your exact dimensions.



Pallets with TOMB system for palletized trucks		Ordering Chart				
Part Number	Description	Width	Depth	Height	Weight	
#	"	W	D	H	lbs	
Pallet-3025A	Cylinder pallet with tomb	48"	46"	39.5"	287 lbs	
Pallet-3025A-GA	Cylinder pallet with tomb	48"	46"	39.5"	295 lbs	

\* Ratchet straps sold separate.