

# TP1900K - Multifunction shower column

## Pre installation

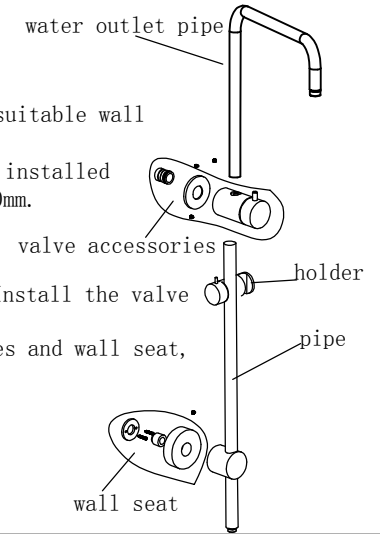
1. Please turn off the water supply.
2. Please make sure the pipelion is in good condition and comply with local regulations
3. Recommended minimum water pressure is 0.2Mpa(2bar)
4. Shower head is aspersed maximum water pressure :0.5Mpa (5Par). A pressure reducing valve must installed when the water pressure is higher than 0.5Mpa(5Par). Shower head is aspersed highest water temperature and environmental temperaturew is 60° C.

## Installation step

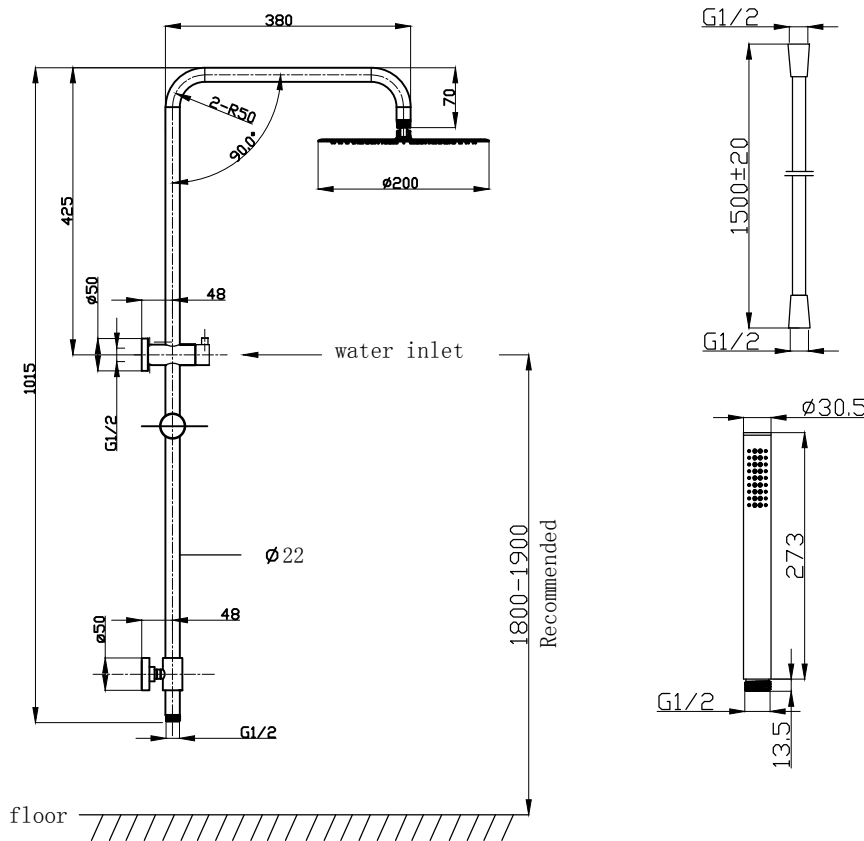
### How to install the column

According to the measurement of the product, choose a suitable wall space to install the shower colum  
The G1/2 pipes(water inlet) and accessorise should be installed in advance. We recommend the height is approximate 1800mm.

1. Mark the position of the bottom bracket on the wall. Install the valve accessories and the wall seat
2. Put the straight arm into the holder, valve accessories and wall seat, then use M5 screws to lock it.
3. Install the water outlet pipe into the top.

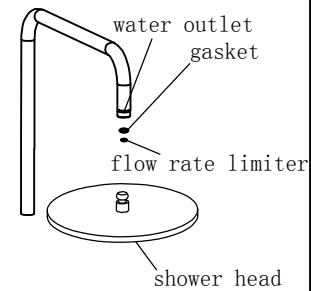


## Installation dimensions



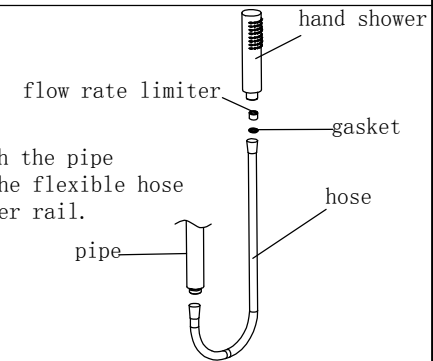
### How to install the shower head

Before installing the shower head, please flush the pipe, make sure there is no rubbish inside. Then screw the shower head onto the arm.



### How to install the hand shower

Before installing the hand held shower, please flush the pipe. Make sure there is no rubbish inside. Then connect the flexible hose with hand held shower head to the bottom of the shower rail.



### Inspection installation results

Pls make sure each screw connection is strong enough then turn on the water supply, check if any leakage in the connections.