

Exam title:

Functional vision

Topic:

Full test set

Sub-topic:

Exam comment:

No problems to execute tests

	Right	Both	Left
Visual acuity Distance Vision (3.00 m) (Far+Near)			1
		0.83	[>1.00 Dec]
Reliability		80	[>80 %]
Errors		0.0	[<20 %]
Duration		0:36	[<0:50 m:ss]
Automated statement		<p><i>The result is reliable based on catch trial answers, error rate in directions and duration.</i></p> <p><i>Vision tests done with both eyes open can hide defective vision in one eye.</i></p> <p><i>Near-normal vision.</i></p> <p><i>Fulfills Group 1 driving vision criterion.</i></p> <p><i>Fulfills Group 2 driving vision criterion with both eyes.</i></p>	
Visual acuity Terminal Vision (90 cm) (Far+Near)			2
		0.99	[>1.00 Dec]
Reliability		100	[>80 %]
Errors		0.0	[<20 %]
Duration		0:35	[<0:50 m:ss]
Automated statement		<p><i>The result is reliable based on catch trial answers, error rate in directions and duration.</i></p> <p><i>Vision tests done with both eyes open can hide defective vision in one eye.</i></p> <p><i>Normal visual acuity.</i></p>	

	Right	Both	Left
--	-------	------	------

Visual acuity Near Vision (40 cm) (Far+Near) 3

Reliability	0.47	[>1.00 Dec]
Errors	100	[>80 %]
Duration	0.0	[<20 %]
	0:28	[<0:50 m:ss]

Automated statement
*The result is reliable based on catch trial answers, error rate in directions and duration.
Vision tests done with both eyes open can hide defective vision in one eye.
Near-normal vision.*

Contrast sensitivity (Far+Near) 4

Reliability	0.5	[<1.5 %]
Errors	80	[>80 %]
Duration	0.0	[<20 %]
	0:37	[<1:00 m:ss]

Automated statement
*The result is reliable based on catch trial answers, error rate in directions and duration.
Vision tests done with both eyes open can hide defective vision in one eye.
Better than average contrast sensitivity.
Contrast sensitivity fulfills Group 2 driving vision requirements.*

Ocusweep Reaction Time (Far+Near) 6

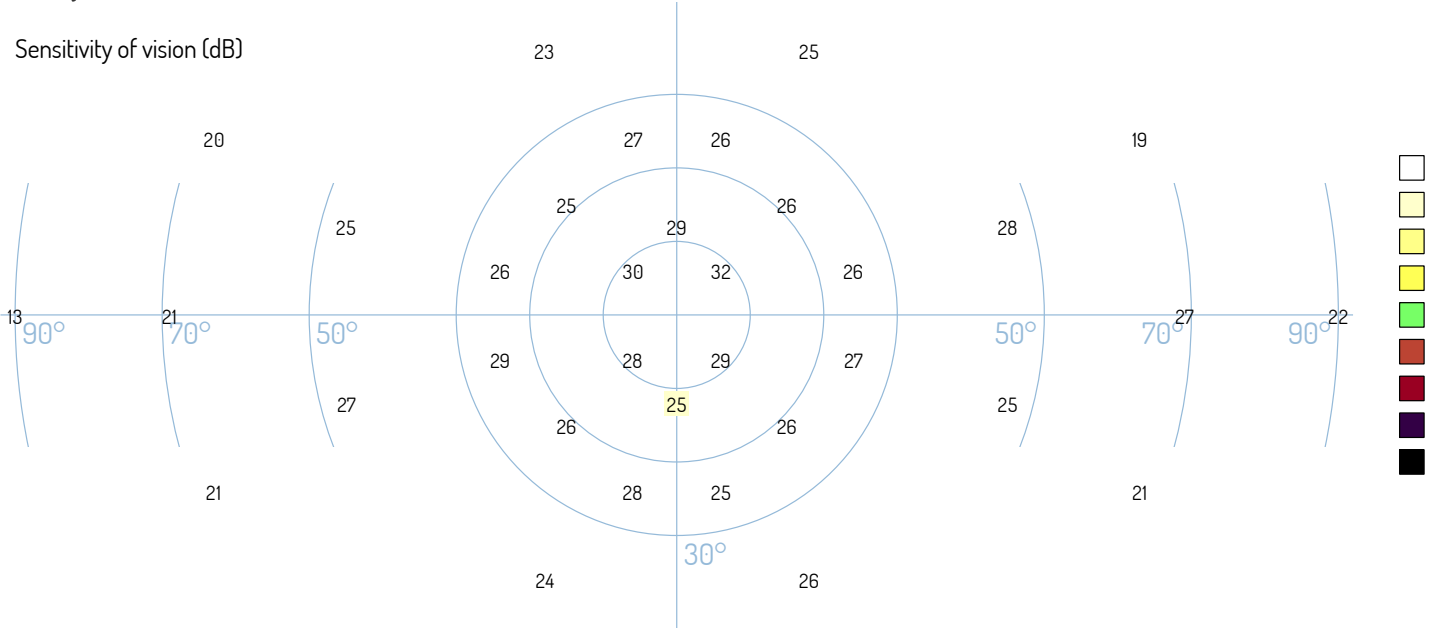
Errors	428	[<495 ms]
Duration	0.0	[<15 %]
	0:45	[m:ss]

Automated statement
*The result is reliable based on the error rate in directions and consistent responses.
Better than average vision-based reaction time.*

5: Visual field Threshold OcuMap (Far+Near)
 Both eyes

Avg. ambient light: 191 cd/m²

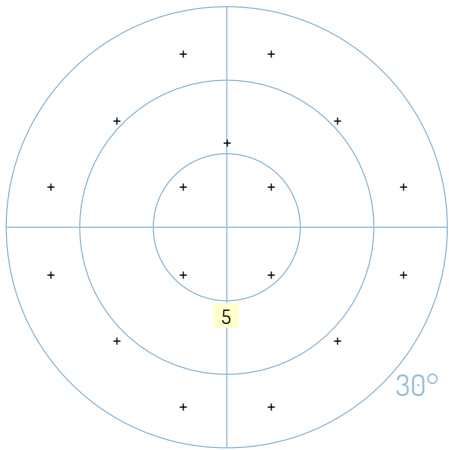
Sensitivity of vision (dB)



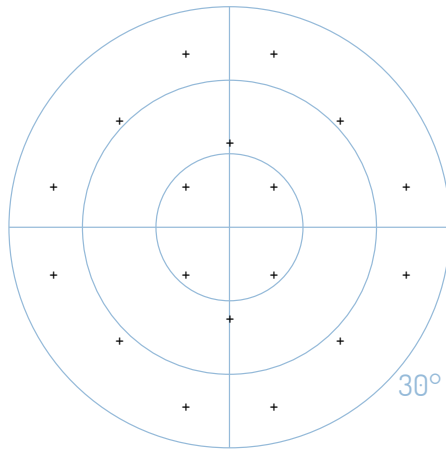
Both eyes

Defects (dB)

Local defects (dB)



+ < 5 dB

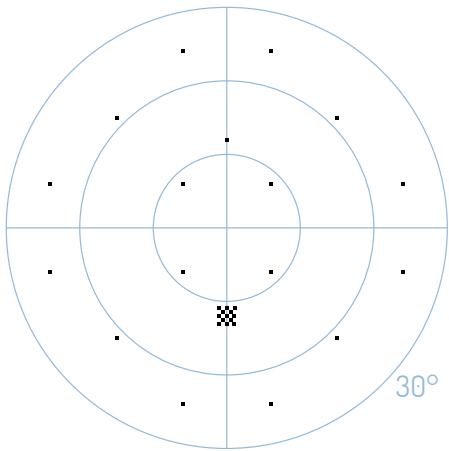


30°

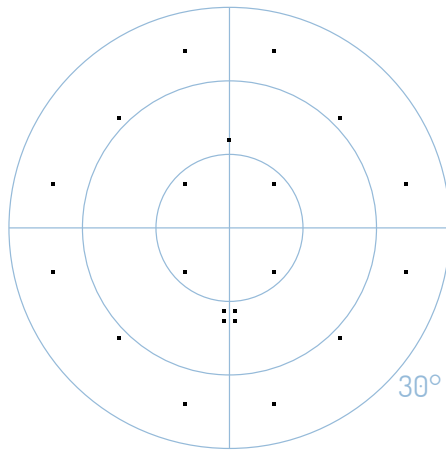
<30° indexes

Mean sensitivity	MS	27.0 dB	
Mean defect	MD	1.6 dB	<2.0
Loss Variation	sLV	1.6 dB	<2.5
Diffuse defect	DD	1.2 dB	

Reliability	RI	100 %	>80
Seen darks	FP	0.0 %	<15
Unseen brights	FN	0.0 %	<27
Duration	TD	3:06 m:ss	



P
 • > 5 %
 •• < 5 %
 ••• < 2 %
 •••• < 1 %
 ■ < 0.5 %



30°

Automated statement:
 The result is reliable as based on the catch trial answers.
 Vision tests done with both eyes open can hide defective vision in one eye.
 Normal central visual field.

Guidance:
 Comment: