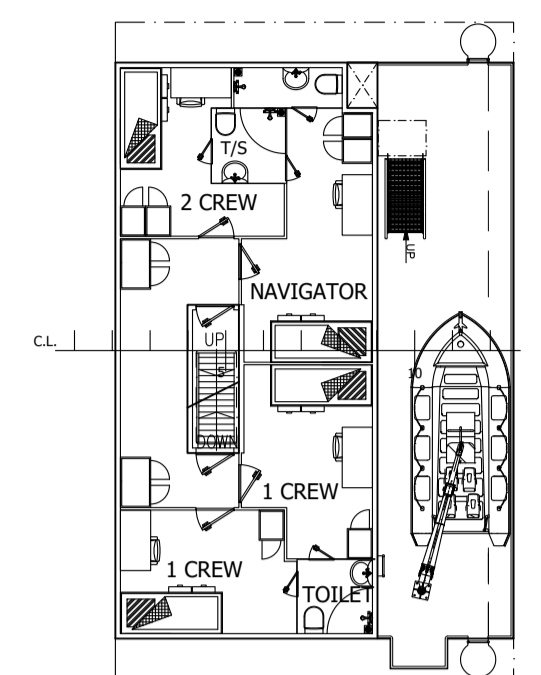
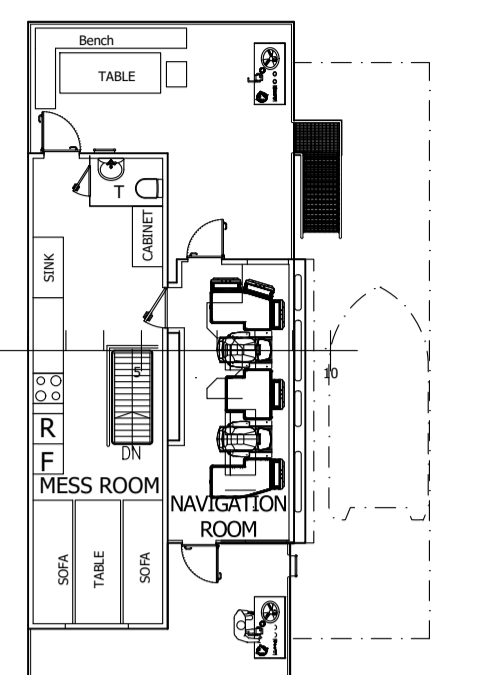


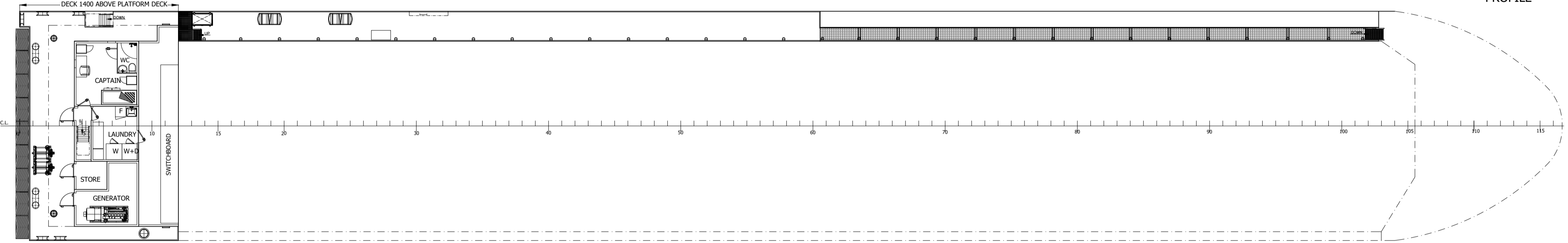
PROFILE



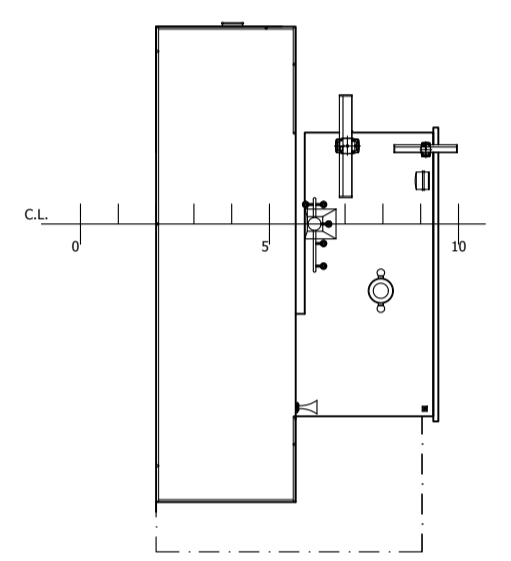
ACCOMODATION DECK



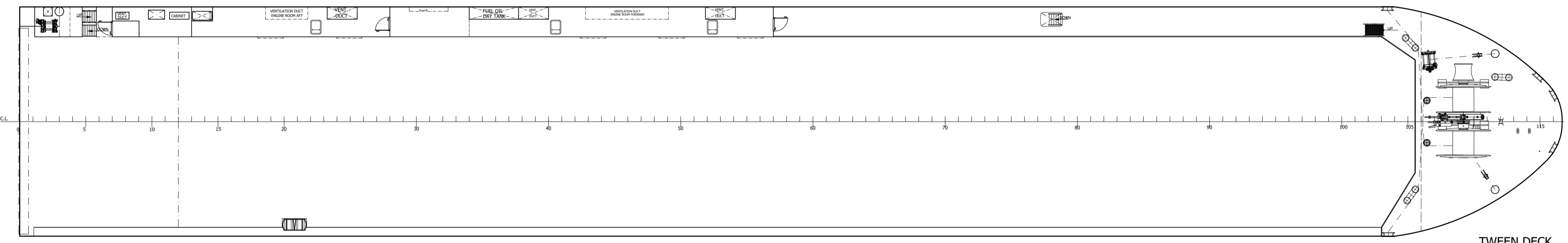
BRIDGE DECK



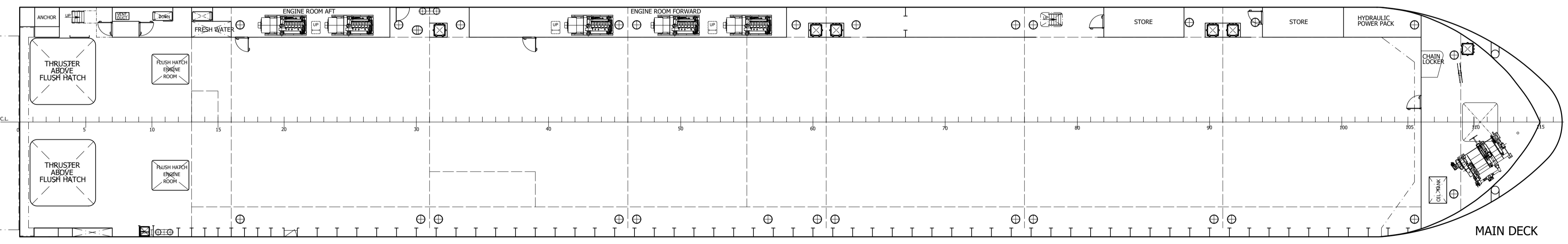
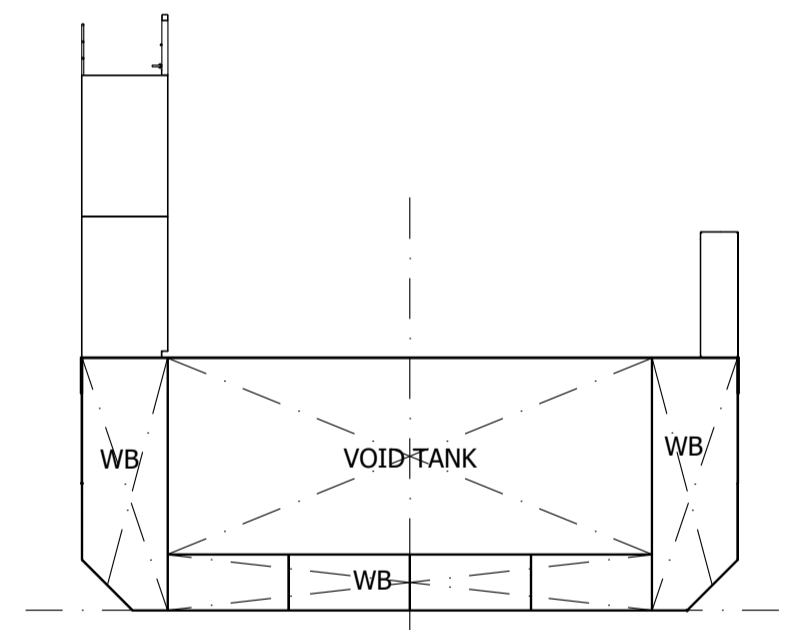
PLATFORM DECK



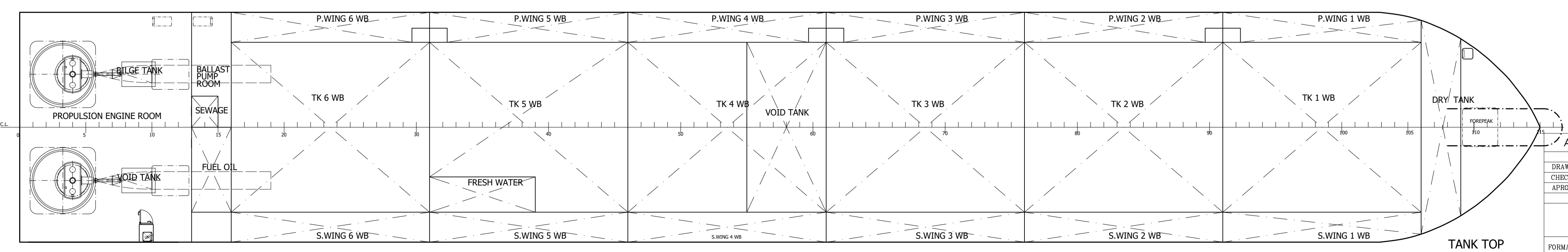
TOP DECK



TWEEN DECK





MAIN DECK



TANK TOP

PRINCIPAL CHARACTERISTIC	
LENGTH PP	82,50 m
LENGTH OVER ALL	87,50 m
BREADTH MLD	13,00 m
DEPTH MLD	5,00 m
DRAUGHT	3,63 m
DEADWEIGHT	2040 T
CB	0,832
DECK CARGO CAPACITY	1600 T

DATE	02.07.2020	NAME	W.Ko.	General update
DRAWN	24.04.2020	NAME	W.Ko.	
CHECKED				
APPROVED				

NORTH CARRIER
 GENERAL ARRANGEMENT

SHIP PROJECT
 Teofila Firlika 19/108
 71-637 Szczecin
 Poland

DRAWING NO. SP133-100-001
 SHEET 1/1
 REV A