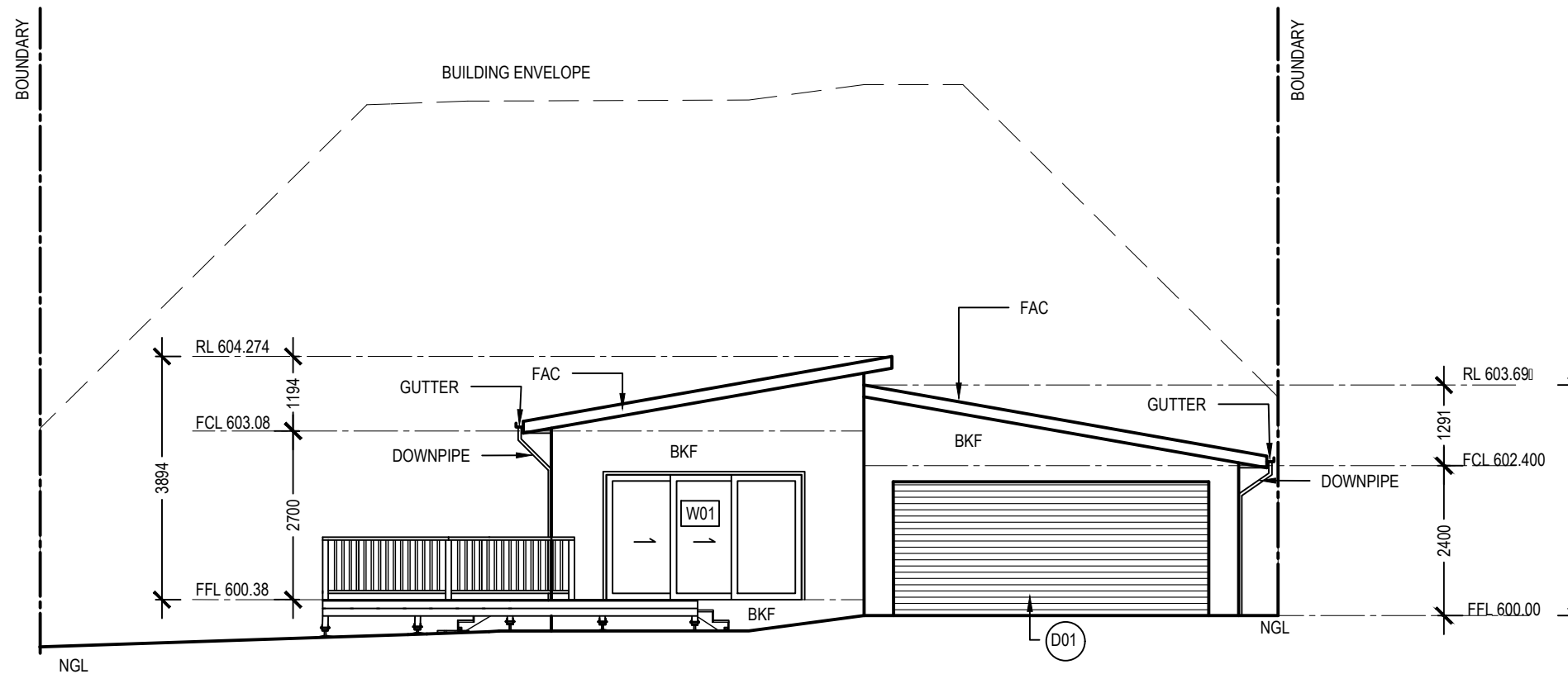


LEGEND:

- BKF BRICK FACEWORK
- FAC LYSAGHT NOVALINE COLORBOND FASCIA



1
ELEVATION 1
A20-01 1:100

A	26/06	NL	ISSUED FOR REVIEW	AP
B	27/06	NL	ISSUED FOR BA	AP
REV.	DATE.	BY.	REVISION DETAILS	APPROVED

notes:

- do not scale off drawings. written dimensions shall take precedence and must be checked along with all levels and setbacks on site by the builder prior to the commencement of any construction.
- all architectural drawings are to be read in conjunction with specifications, inclusion list and any engineering documentation.
- unless otherwise stated all dimensions are in millimetres (mm).
- all works to comply with the NCC and all relevant authority requirements.

Name: NGE LAY

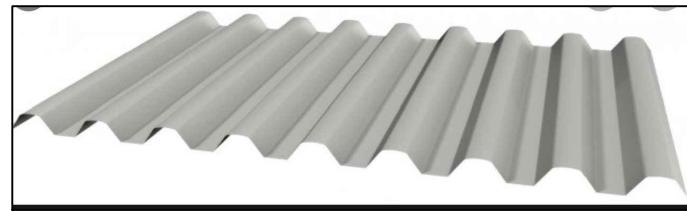
BLOCK: 32	PAGE SIZE: A3	ADDRESS:
SECTION: 90	DRN: NL	58 officer crescent ainslie 2602
SUBURB: AINSLIE	CKD: AP	
ISSUE DATE: 27/06/20	DRG TITLE: ELEVATION 1	SHEET
DRAFTING STANDARD: AS 1100	SCALE: 1:100	REV. NO. B A30-01



BKF, BRICK FACEWORK
AMBER GLOW COLOUR



ALUMINIUM FRAMED, DOUBLE
GLAZED, SLIDING DOOR



SPANDEK COLORBOND STEEL ROOFING



PANEL LIFT GARAGE DOOR



LEGEND

- DP - DOWN PIPE
- BKF - BRICK FACEWORK
- ASW - ALUMINIUM FRAMED SLIDING DOOR

1
A20-01

MATERIAL AND COLOUR SCHEDULE

1:100

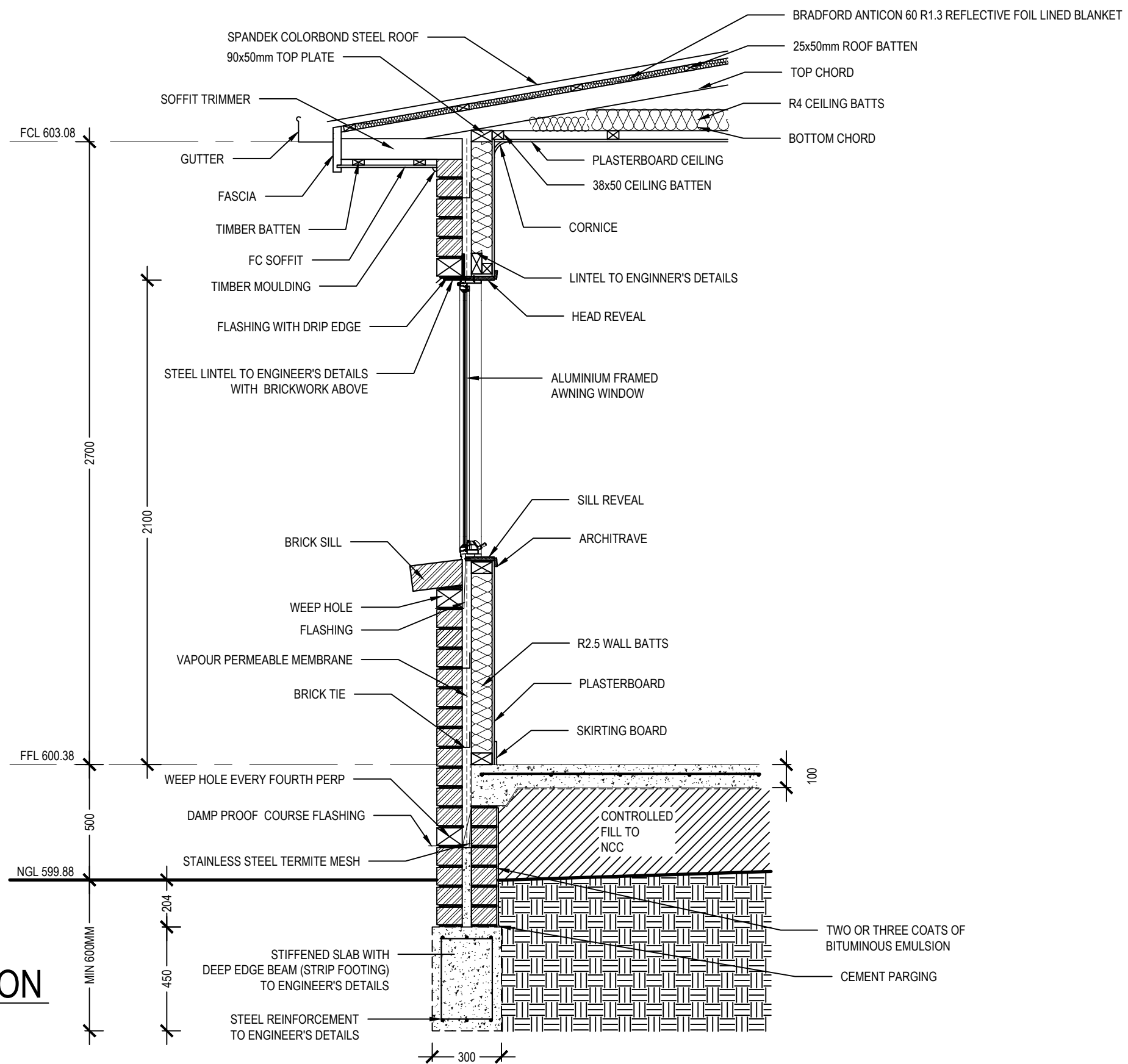
REV.	DATE	BY	REVISION DETAILS	APPROVED
A	26/06	NL	ISSUED FOR REVIEW	AP
B	27/06	NL	ISSUED FOR BA	AP

notes:

- do not scale off drawings. written dimensions shall take precedence and must be checked along with all levels and setbacks on site by the builder prior to the commencement of any construction.
- all architectural drawings are to be read in conjunction with specifications, inclusion list and any engineering documentation.
- unless otherwise stated all dimensions are in millimetres (mm).
- all works to comply with the NCC and all relevant authority requirements.

Name: NGE LAY

BLOCK: 32	PAGE SIZE: A3	ADDRESS:
SECTION: 90	DRN: NL	58 officer crescent
SUBURB: AINSLIE	CKD: AP	ainslie 2602
ISSUE DATE: 27/06/20	DRG TITLE: MATERIAL AND COLOUR SCHEDULE	SHEET
DRAFTING STANDARD: AS 1100	SCALE: 1:100	REV. NO. B
		A31-01



1
A20-01
DETAILED SECTION
1:20

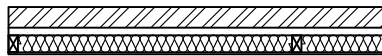
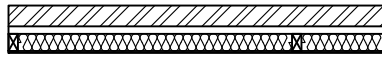

A	26/06	NL	ISSUED FOR REVIEW	AP
B	27/06	NL	ISSUED FOR BA	AP
REV.	DATE	BY	REVISION DETAILS	APPROVED

notes:

- do not scale off drawings. written dimensions shall take precedence and must be checked along with all levels and setbacks on site by the builder prior to the commencement of any construction.
- all architectural drawings are to be read in conjunction with specifications, inclusion list and any engineering documentation.
- unless otherwise stated all dimensions are in millimetres (mm).
- all works to comply with the NCC and all relevant authority requirements.

Name: NGE LAY

BLOCK: 32	PAGE SIZE: A3	ADDRESS:
SECTION: 90	DRN: NL	58 officer crescent
SUBURB: AINSLIE	CKD: AP	ainslie 2602
ISSUE DATE: 27/06/20	DRG TITLE: DETAILED SECTION	SHEET
DRAFTING STANDARD: AS 1100	SCALE: 1:100	REV. NO. B
		A40-01

DOOR SCHEDULE					
NO.	TYPE	THICKNESS	DESCRIPTION	RATING	NOTES
WT01		250mm	BRICK VENEER WALL 110mm BRICKWORK 40mm CAVITY ENVIROSEAL PROCTOR WRAP 90mm STUD FRAME WITH R2.5 INSULATION 10 mm PLASTERBOARD LINING	MIN. R2.8	
WT02		250mm	BRICK VENEER WALL 110mm BRICKWORK 40mm CAVITY ENVIROSEAL PROCTOR WRAP 90mm STUD FRAME WITH R2.5 INSULATION 10 mm PLASTERBOARD LINING	MIN. R2.8 FRL 60/60/60	WALL WITHIN 900mm OF BOUNDARY REQUIRES FIRE RATING
WT03		110mm	INTERNAL PARTITIONS 10mm PLASTERBOARD 90mm TIMBER STUD 10mm PLASTERBOARD		

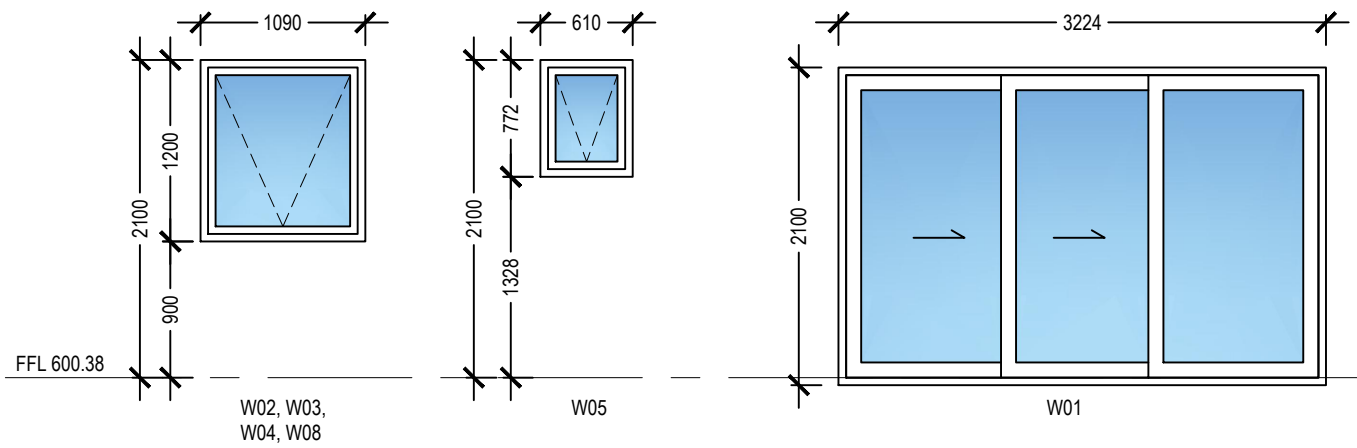
A	26/06	NL	ISSUED FOR REVIEW	AP
B	27/06	NL	ISSUED FOR BA	AP
REV.	DATE	BY:	REVISION DETAILS	APPROVED

- notes:
- do not scale off drawings. written dimensions shall take precedence and must be checked along with all levels and setbacks on site by the builder prior to the commencement of any construction.
 - all architectural drawings are to be read in conjunction with specifications, inclusion list and any engineering documentation.
 - unless otherwise stated all dimensions are in millimetres (mm).
 - all works to comply with the NCC and all relevant authority requirements.

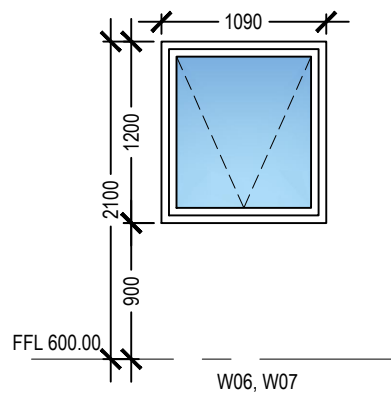
Name: NGE LAY

BLOCK: 32	PAGE SIZE: A3	ADDRESS:
SECTION: 90	DRN: NL	58 officer crescent
SUBURB: AINSLIE	CKD: AP	ainslie 2602
ISSUE DATE: 27/06/20	DRG TITLE: WALL TYPE AND INSULATION SCHEDULE	SHEET
DRAFTING STANDARD: AS 1100	SCALE: NTS	REV. NO. B
		A70-01

FFL 603.08



FFL 602.40



NOTES:

ALL WINDOWS TO BE DOUBLE GLAZED WITH ALUMINIUM IMPROVED FRAMES THROUGHOUT UNLESS OTHERWISE NOTED.

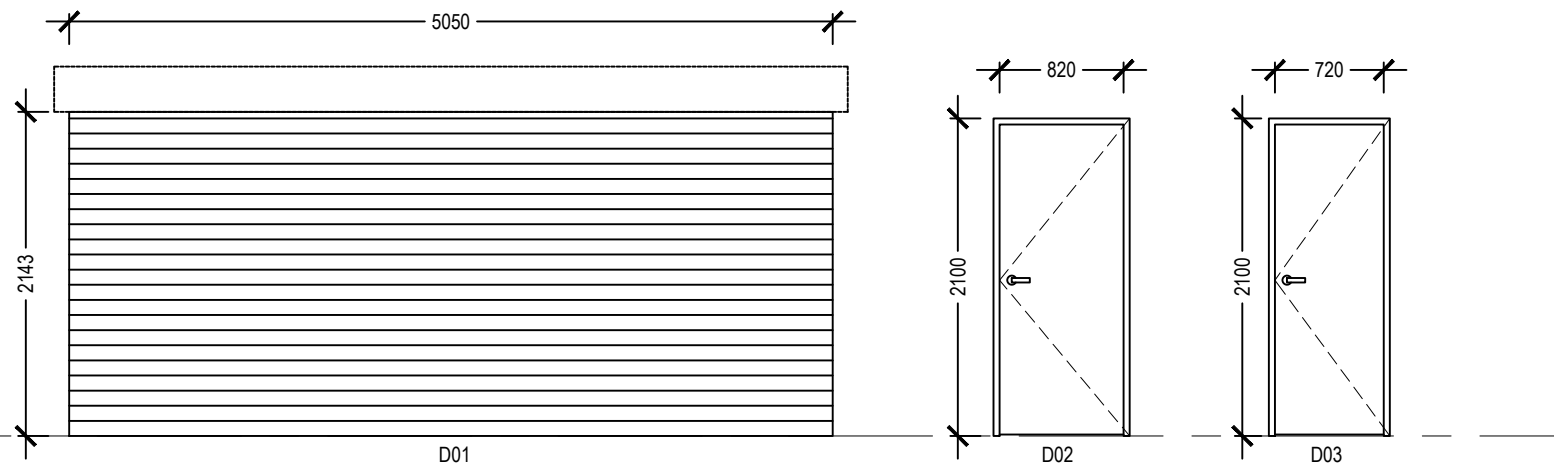
BUILDER TO CHECK AND VERIFY ALL WINDOWS AND DOORS SIZES PRIOR TO ORDERING. ANY DISCREPANCIES TO BE REPORTED TO ARCHITECT.

1. WINDOWS AND DOORS ARE SHOWN FROM EXTERNAL SIDE.
2. ALL EXTERNAL GAPS AROUND WINDOWS AND DOORS ARE TO BE PHYSICALLY SEALED.
3. ALL DIMENSIONS ARE APPROXIMATE ONLY. SIZES ARE NOMINAL ONLY. ACTUAL SIZE WILL VARY ACCORDING TO MANUFACTURER.
4. ALL OPENINGS TO BE SITE MEASURED. SECURITY FLYSCREENS ARE TO BE FITTED TO ALL OPENING WINDOWS AND EXTERNAL DOORS.
5. ALL FRAMED WINDOWS SUITES AND GLAZING SYSTEMS TO BE PROPRIETARY DESIGNED TO FACILITATE EASY GLASS REPLACEMENT IN CASE OF BREAKAGE, SUBMIT PROPOSED FRAMING SUITE / GLAZING DETAILS TO ARCHITECT FOR APPROVAL PRIOR TO FABRICATION.
6. ALL SUB HEAD AND SUB SILLS FOR FRAMING SUITES ARE TO BE SITE MEASURED AND INSTALLED AFTER FINISHING OF DOOR / WINDOW OPENING AND INSTALLED WITH BACKING RODS, FLEXIBLE SEALANT AND FLASHING TO ENSURE A WATERTIGHT SEAL AND LONG-TERM IMPACT RESISTANCE.

ALL GLAZING TO BE IN ACCORDANCE WITH AS1288-2006.

WINDOW SCHEDULE

NO.	HEIGHT	WIDTH	TYPE	GLAZING	THERMAL RATING	DESCRIPTION	SILL HEIGHT	FRAME
W01	2100	3224	STACKING PATIO DOOR	4mm CLEAR/10mm ARGON GAP/4mm ENERGY TECH	U _w - 3.2 , SHGC - 0.57	RESIDENTIAL SERIES 541 / 542 SLIDING DOOR - DOUBLE GLAZED		ALUMINIUM
W02	1200	1090	AWNING	4mm CLEAR/12mm ARGON GAP/4mm ENERGY ADVANTAGE	U _w - 4 , SHGC - 0.53	RESIDENTIAL SERIES 517 AWNING WINDOW - DOUBLE GLAZED	900	ALUMINIUM
W03	1200	1090	AWNING	4mm CLEAR/12mm ARGON GAP/4mm ENERGY ADVANTAGE	U _w - 4 , SHGC - 0.53	RESIDENTIAL SERIES 517 AWNING WINDOW - DOUBLE GLAZED	900	ALUMINIUM
W04	1200	1090	AWNING	4mm CLEAR/12mm ARGON GAP/4mm ENERGY ADVANTAGE	U _w - 4 , SHGC - 0.53	RESIDENTIAL SERIES 517 AWNING WINDOW - DOUBLE GLAZED	900	ALUMINIUM
W05	772	610	AWNING	4mm CLEAR/12mm ARGON GAP/4mm ENERGY ADVANTAGE	U _w - 4 , SHGC - 0.53	RESIDENTIAL SERIES 517 AWNING WINDOW - DOUBLE GLAZED	1328	ALUMINIUM
W06	1200	1090	AWNING	4mm CLEAR/12mm ARGON GAP/4mm ENERGY ADVANTAGE	U _w - 4 , SHGC - 0.53	RESIDENTIAL SERIES 517 AWNING WINDOW - DOUBLE GLAZED	900	ALUMINIUM
W07	1200	1090	AWNING	4mm CLEAR/12mm ARGON GAP/4mm ENERGY ADVANTAGE	U _w - 4 , SHGC - 0.53	RESIDENTIAL SERIES 517 AWNING WINDOW - DOUBLE GLAZED	900	ALUMINIUM
W08	1200	1090	AWNING	4mm CLEAR/12mm ARGON GAP/4mm ENERGY ADVANTAGE	U _w - 4 , SHGC - 0.53	RESIDENTIAL SERIES 517 AWNING WINDOW - DOUBLE GLAZED	900	ALUMINIUM



DOOR SCHEDULE

NO.	TYPE	THICKNESS	WIDTH	HEIGHT	CONSTRUCTION	FINISH	FUNCTION
D01	ROLLER DOOR	76	5050	2143	COLORBOND	PAINT FINISH	EXTERIOR
D02	HINGED	40	820	2100	SOLID CORE	PAINT FINISH	EXTERIOR
D03	HINGED	40	720	2100	SOLID CORE	PAINT FINISH	INTERIOR

A	26/06	NL	ISSUED FOR REVIEW	AP
B	27/06	NL	ISSUED FOR BA	AP
REV.	DATE	BY	REVISION DETAILS	APPROVED

- notes:
- do not scale off drawings. written dimensions shall take precedence and must be checked along with all levels and setbacks on site by the builder prior to the commencement of any construction.
 - all architectural drawings are to be read in conjunction with specifications, inclusion list and any engineering documentation.
 - unless otherwise stated all dimensions are in millimetres (mm).
 - all works to comply with the NCC and all relevant authority requirements.

Name: NGE LAY

BLOCK: 32	PAGE SIZE: A3	ADDRESS:
SECTION: 90	DRN: NL	58 officer crescent
SUBURB: AINSLIE	CKD: AP	ainslie 2602
ISSUE DATE: 27/06/20	DRG TITLE: WINDOW AND DOOR SCHEDULE	SHEET
DRAFTING STANDARD: AS 1100	SCALE: 1:50	REV. NO. B
		A70-02