

# SILO STORAGE FOR METAL POWDERS

**AMAERO**  
ADDITIVE MANUFACTURING

## PS20 / PS60



PS030919

### CONSTRUCTION

- 304 Stainless steel (316 optional)
- 20L & 60L sizes available

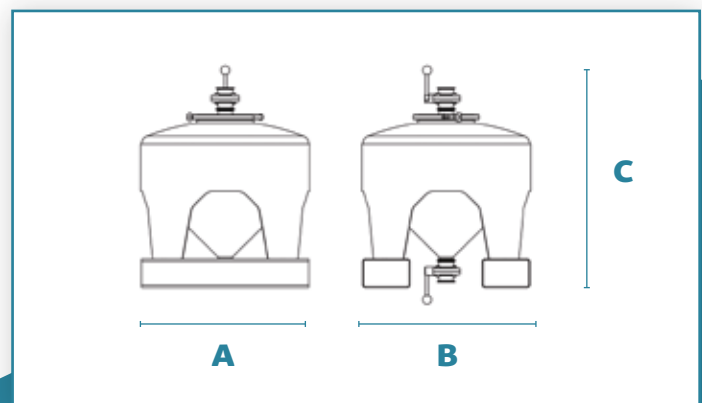
### FEATURES

- 200mm (7.9in) removable top for cleaning
- Customisable lid connections\*
- 50mm (2in) tri-clamp connections
- Suitable for vacuum or pressure
- Internal snorkel for powder flow
- Forklift compatible
- Suits standard 600 (24in) or 900mm (35in) warehouse racking
- Compatible with various LPBF machines and systems

\*Dependent on customer requirements

### DIMENSIONS (mm)

MODEL	VOL. (L)	A	B	C
PS20	20	400 (16in)	400 (16in)	600 (24in)
PS60	60	600 (24in)	600 (24in)	720 (28in)



DISTRIBUTED BY AMAERO | [info@amaeroinc.com](mailto:info@amaeroinc.com)

445 S. Douglas St, Suite 200, El Segundo, CA 90245 | +1 424 290 3105