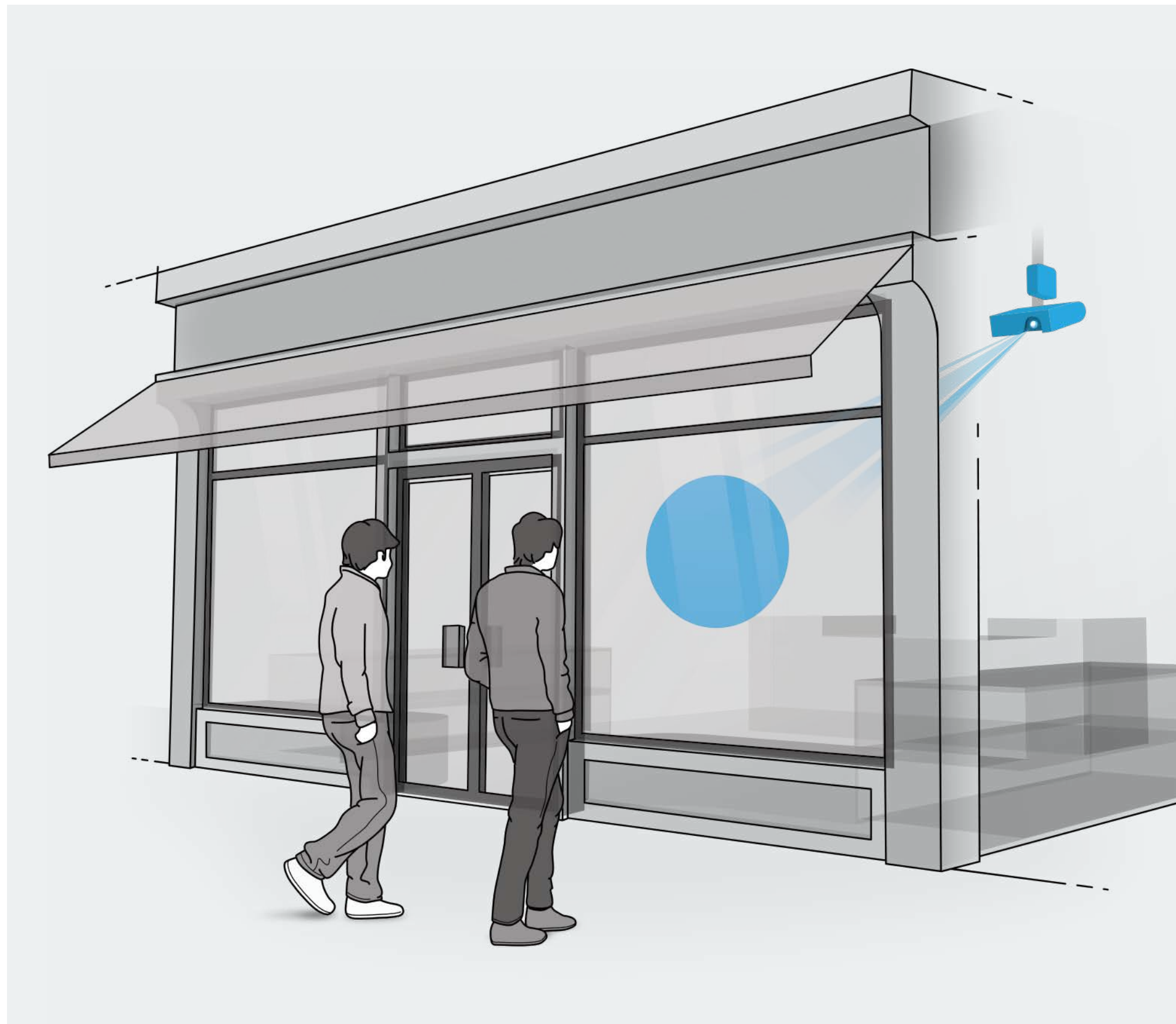
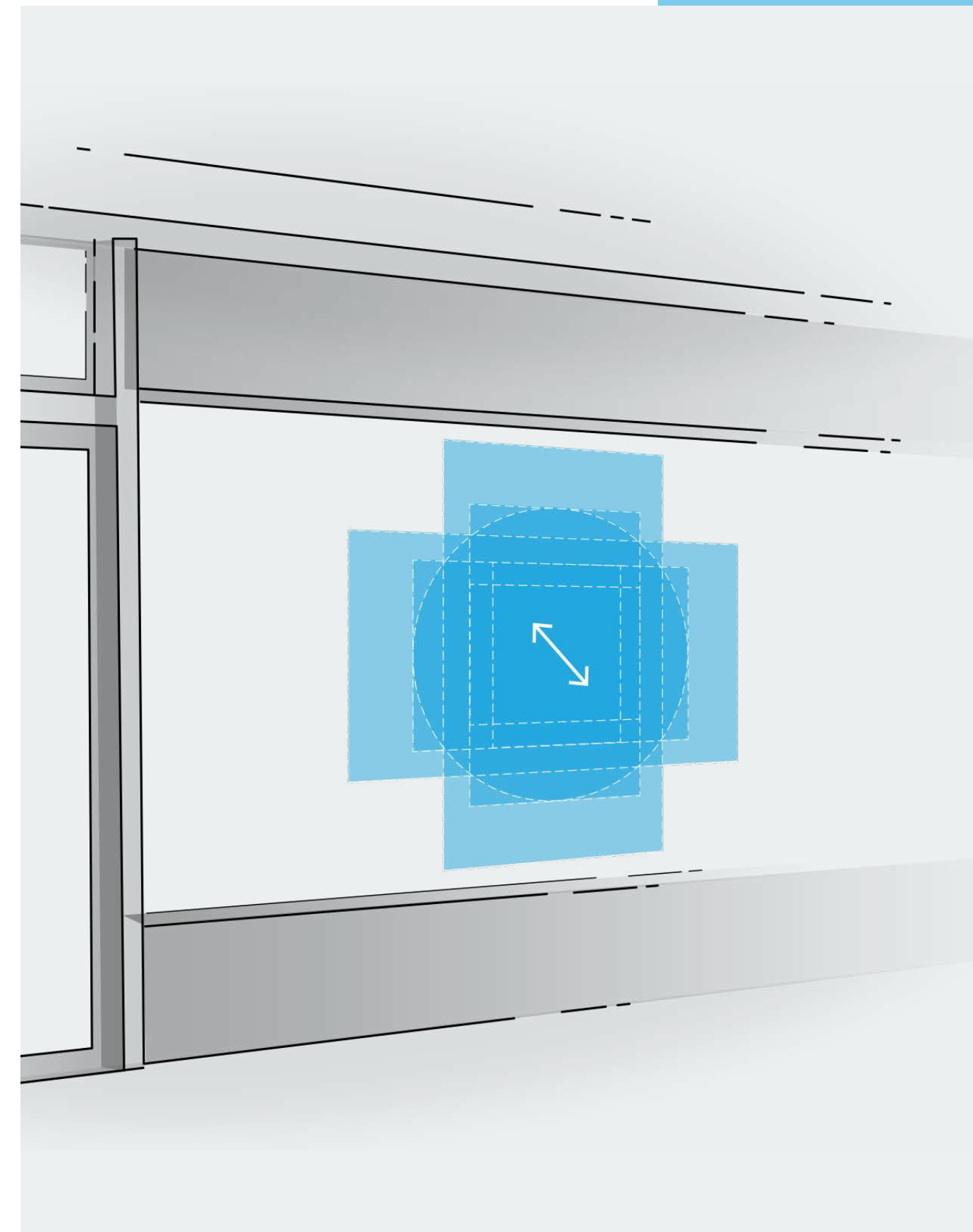


# The Digital Storefront



Our Digital Storefront solutions captivate and engage



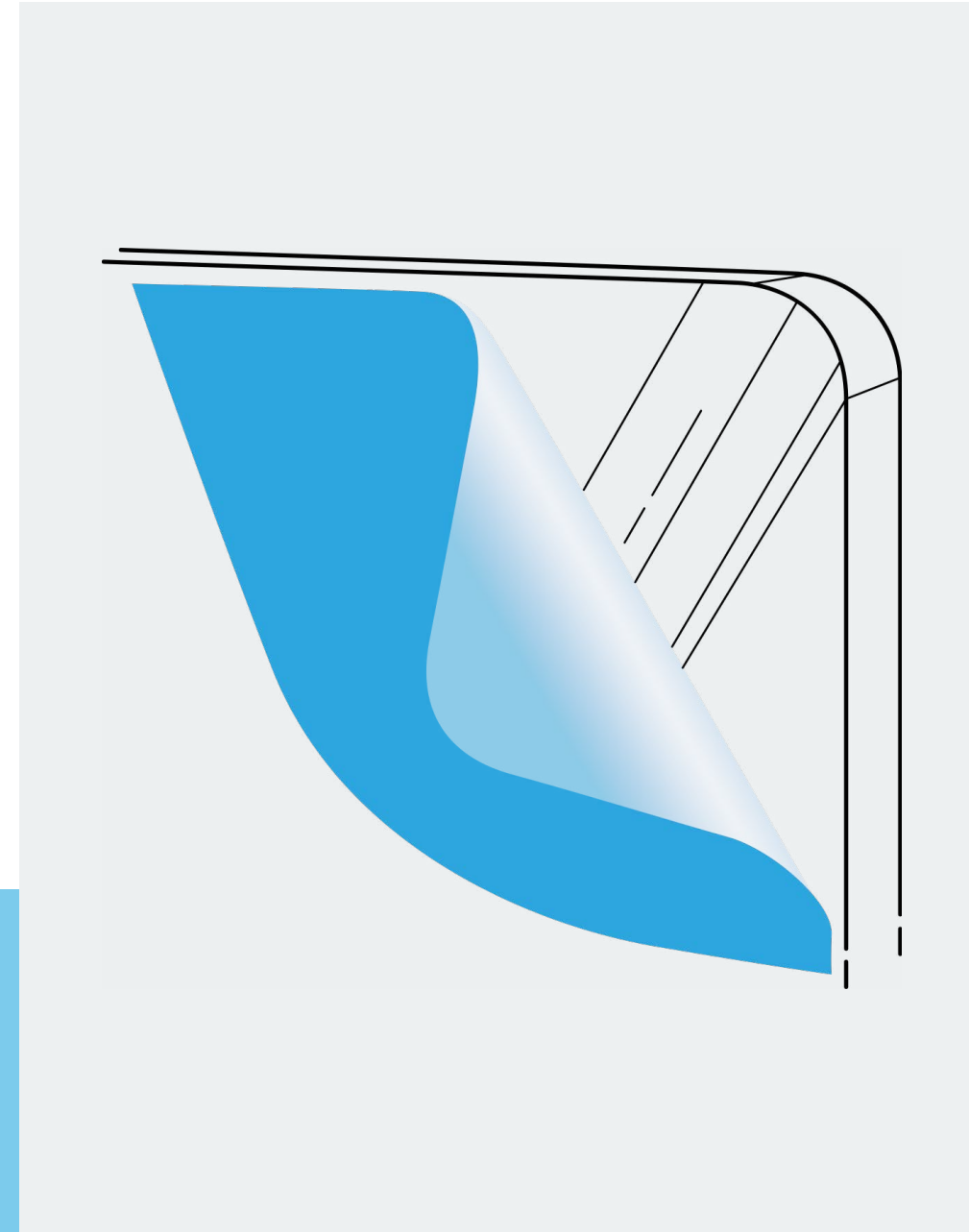
Displays can be cut to any shape

Retail advertising once relied on static posters. It's time to replace that tired old paper with dynamic digital displays for your retail windows. Our proprietary line of projection coatings and substrates brings the power and agility of digital marketing to your physical storefront.

**Designed to:**

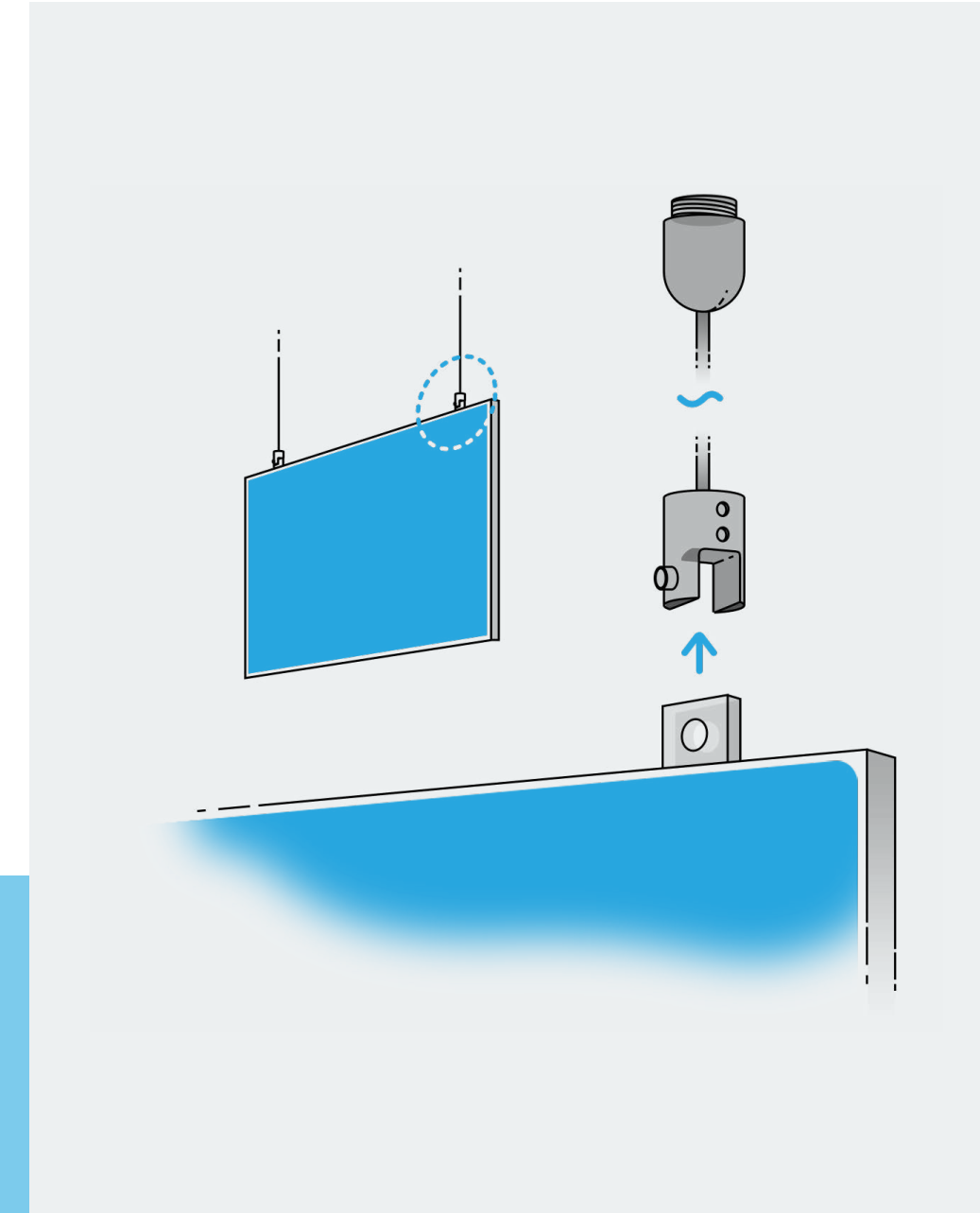
- Increase foot traffic and engagement
- Draw eyeballs and increase conversion
- Modernize brand image
- Cut costs and production time
- Reduce environmental impact

# Display Options



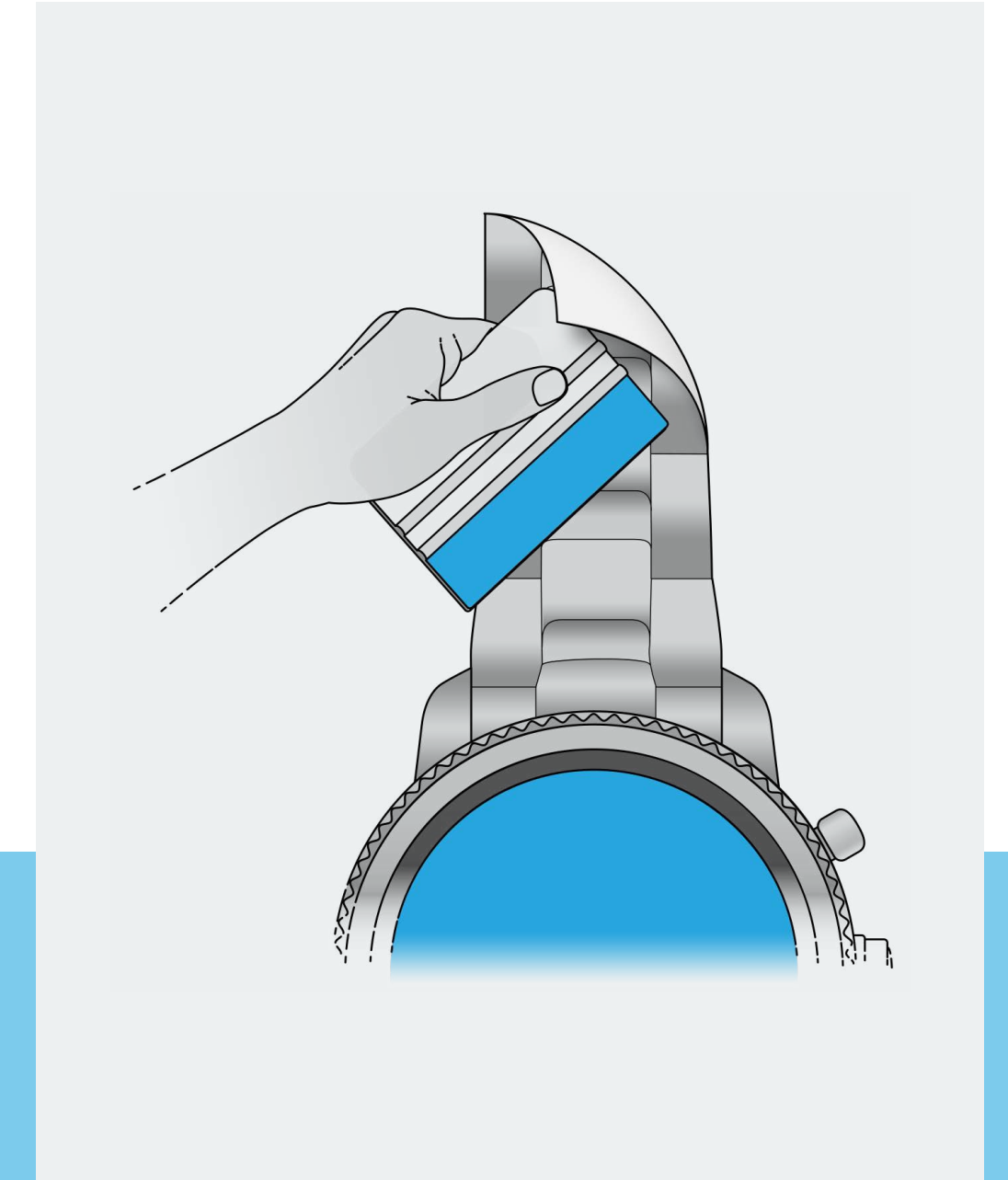
## **Glass Cling**

The lack of high-quality projection films on the market led us to create our own innovative glass cling technology. Our clings are semi-permanent, easily removed or replaced, and offer unmatched clarity, color, uniformity, and ultra-wide viewing angles.



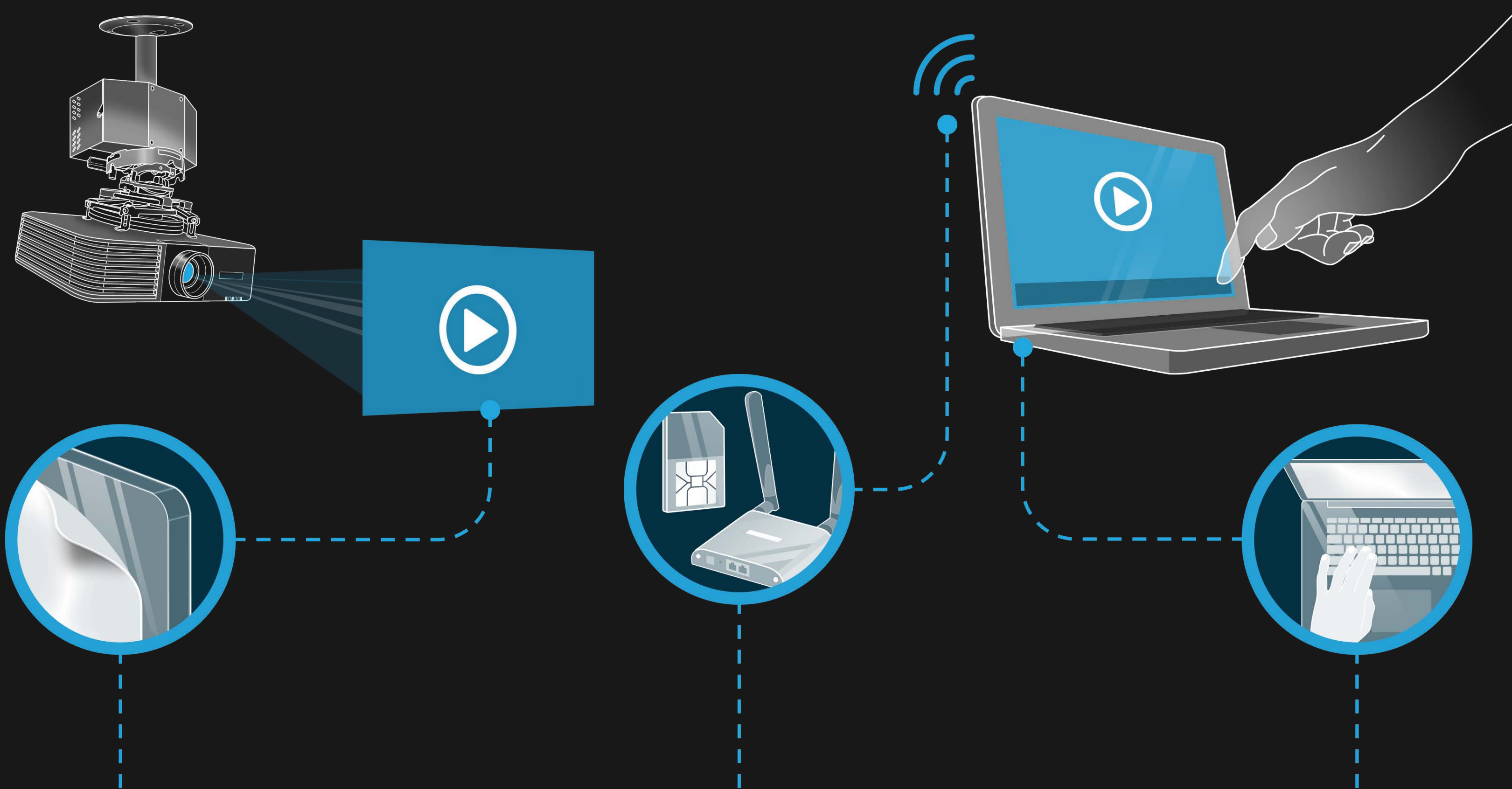
## **Recessed Acrylic**

In cases where storefront glass marketing is prohibited, we laminate projection film onto a custom cut acrylic sheet. The display is recessed and suspended from the ceiling, without disrupting your brand's nearby fixtures, mannequins, or merchandise.



## **Vinyl + Digital**

Our modern Vinyl + Digital hybrid is visual storytelling at its finest. Combining premium-quality vinyl with Glass-Media's proprietary rear projection film, your brand will reach new creative heights while captivating your consumers in unexpected ways.



Proprietary  
Display Tech

Technology  
Package

Glass-Media  
4G LTE

IoT/Cloud  
Platform

Glass-Media  
CMS

## How it Works

We've carefully designed and developed our technology suite to stand alone within a crowded industry of primarily independent providers.

We handle it all – from hardware and software, to the network and cloud. By delivering end-to-end solutions that grow with our customers and adapt to their needs, our inhouse team of experts remain on time and within budget for each unique project no matter the ask.