

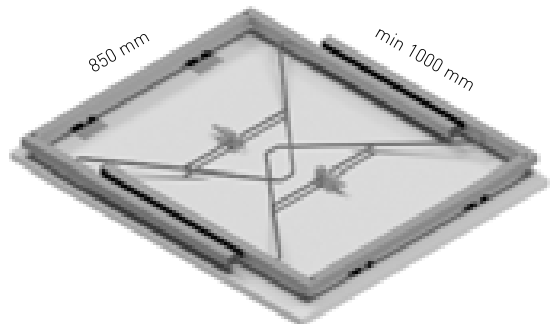
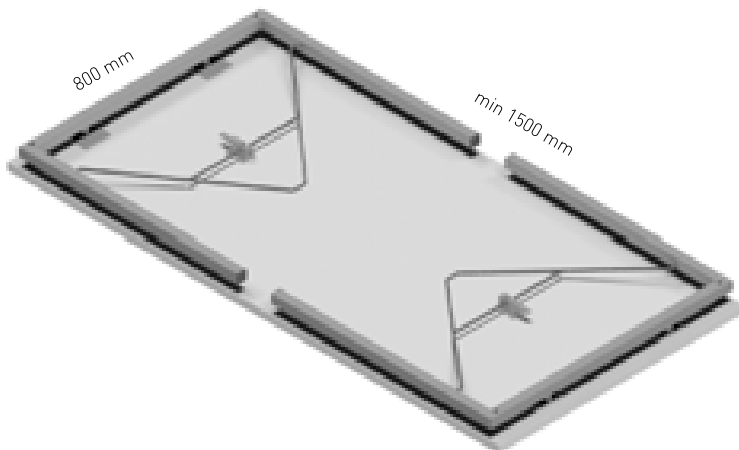
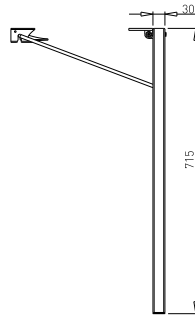
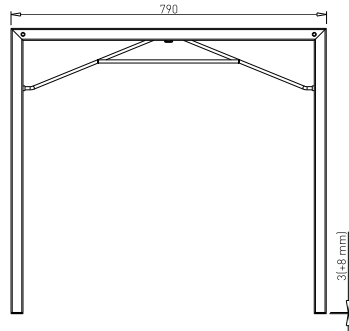
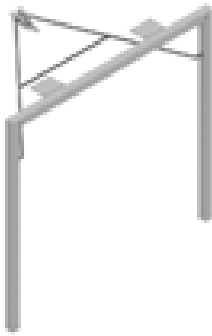


MINIMUM TABLE PLATE THICKNESS = 25mm

### SKIP 800

✕ ART. 31269  
RAL 9006G

✕ OTHER COLOURS  
made to order



✕ INDEPENDENT LEGS