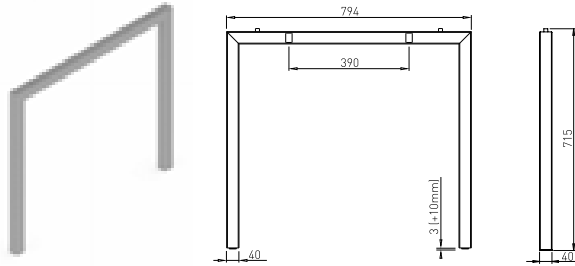




## HAVANA 40/800

✕ ART. 31429  
RAL 9006G

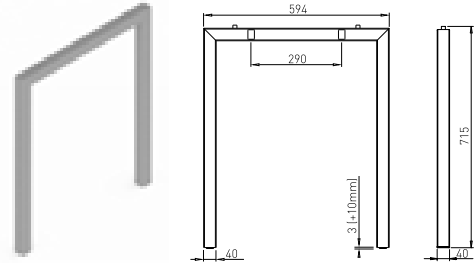
✕ OTHER COLOURS  
made to order



## HAVANA 40/600

✕ ART. 31428  
RAL 9006G

✕ OTHER COLOURS  
made to order



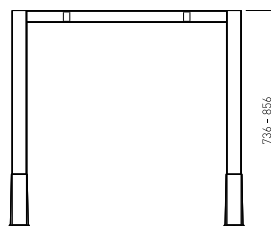
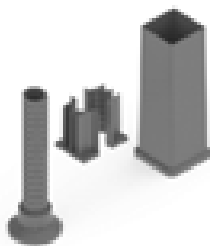
## PLUG CUBO 40 FOR HEIGHT - ADJUSTABLE LEGS

✕ ART. 30702  
RAL 7015 plastic

✕ ART. 20702  
RAL 9005 plastic

For one leg 2 sets of taps are needed.

Using the taps the height of the table can be regulated from 736 - 856 mm.

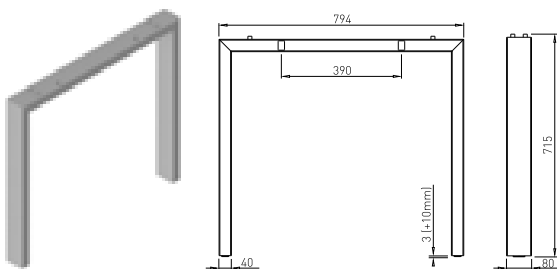




## FLAT 800

✕ ART. 31490  
RAL 9006G

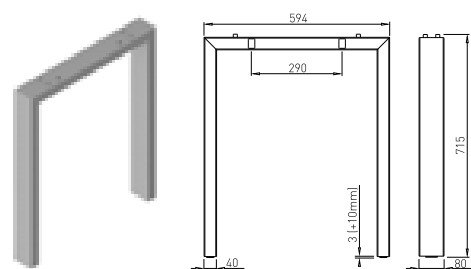
✕ OTHER COLOURS  
made to order



## FLAT 600

✕ ART. 31489  
RAL 9006G

✕ OTHER COLOURS  
made to order



# CONNECTORS EDGE

CONNECTOR 600  
L=590 mm



ART. 30831  
RAL 9006G

CONNECTOR 800  
L=790 mm



ART. 30832  
RAL 9006G

CONNECTOR 1000  
L=990 mm



ART. 30833  
RAL 9006G

CONNECTOR 1200  
L=1190 mm



ART. 30834  
RAL 9006G

CONNECTOR 1400  
L=1390 mm



ART. 30835  
RAL 9006G

CONNECTOR 1600  
L=1590 mm



ART. 30836  
RAL 9006G

CONNECTOR 1800  
L=1790 mm

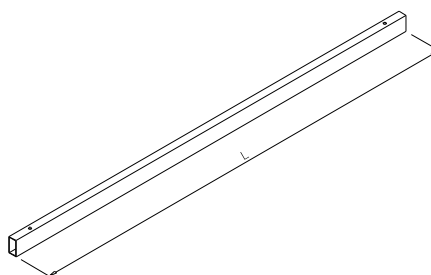
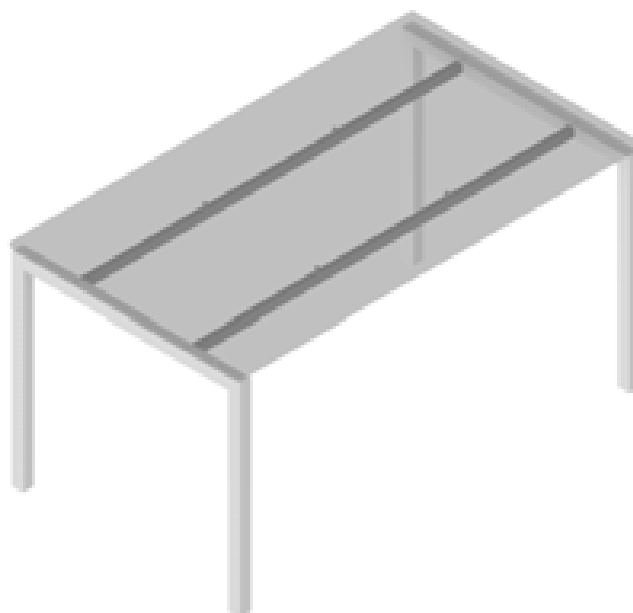


ART. 30837  
RAL 9006G

CONNECTOR 2000  
L=1990 mm



ART. 30838  
RAL 9006G

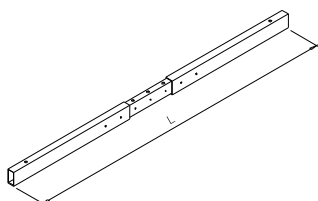


## CONNECTORS EDGE TELESCOPIC 900 - 1400

CONNECTOR 900 - 1400



ART. 31491  
RAL 9006G

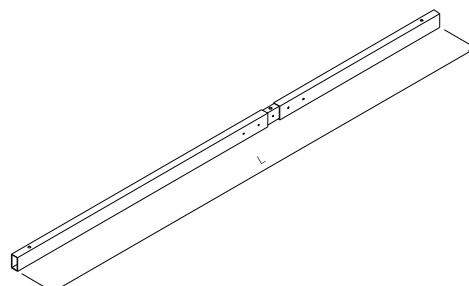


## CONNECTORS EDGE TELESCOPIC 1500 - 2000

CONNECTOR 1500 - 2000

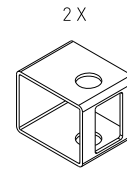
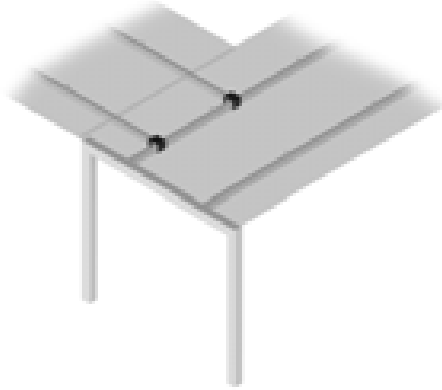


ART. 31492  
RAL 9006G



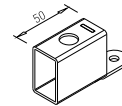
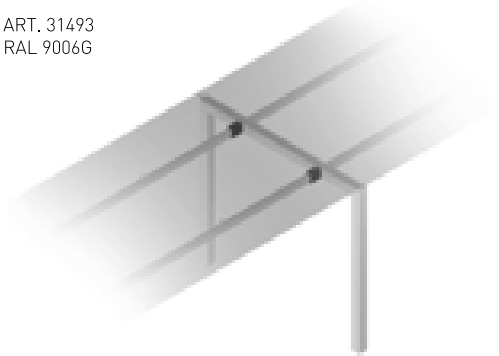
## CORNER CONNECTOR EDGE

✕ ART. 31437  
RAL 9006G



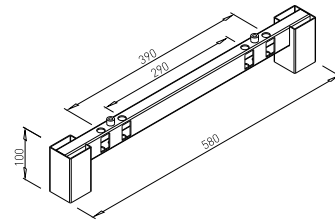
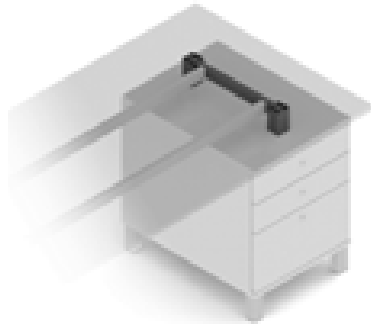
## CONNECTOR EXTENSION EDGE

✕ ART. 31493  
RAL 9006G



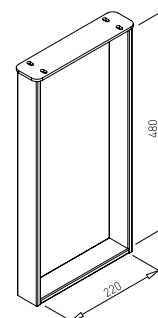
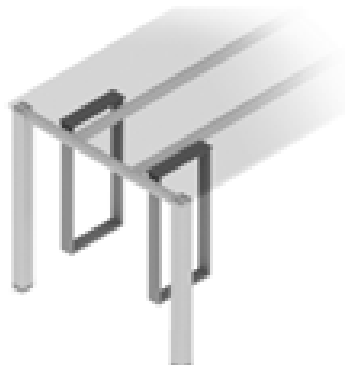
## SUPPORTER EDGE

✕ ART. 31497  
RAL 9006G



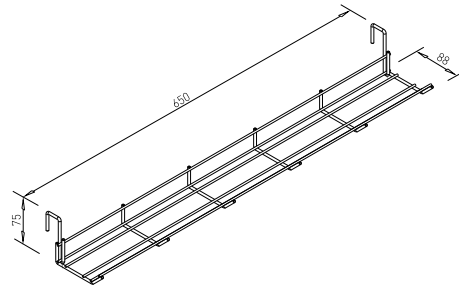
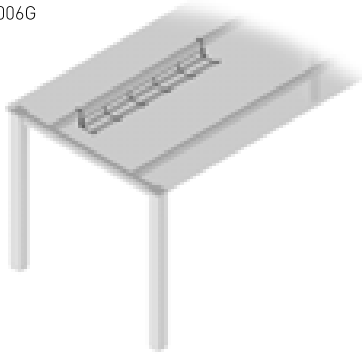
## COMPUTER HOLDER

✕ ART. 30846  
RAL 9006G



# WIRE SHELF

✕ ART. 31498  
RAL 9006G



## ANGULAR SOLUTION - for legs from system EDGE

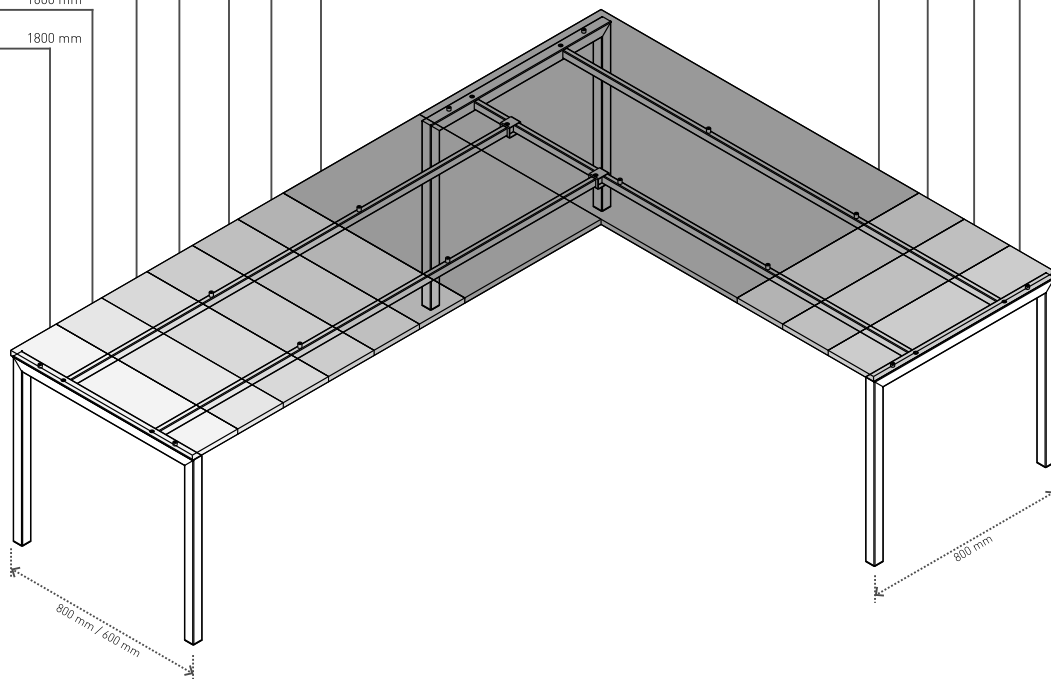
Telescopic connectors can be used with all other dimensions of table plates

### connector - 200 mm = table plate dimension

connector	table plate dimen.
800 mm	600 mm
1000 mm	800 mm
1200 mm	1000 mm
1400 mm	1200 mm
1600 mm	1400 mm
1800 mm	1600 mm
2000 mm	1800 mm

### connector = table plate dimension

connector	table plate dimen.
1400 mm	1400 mm
1600 mm	1600 mm
1800 mm	1800 mm
2000 mm	2000 mm



✕ SYSTEM EDGE

