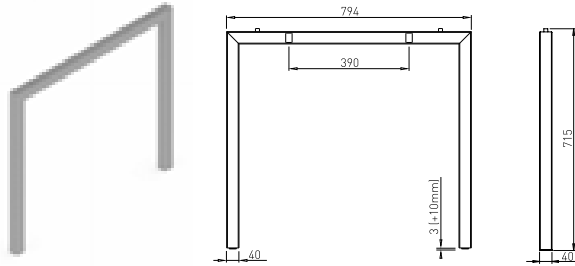




HAVANA 40/800

✕ ART. 31429
RAL 9006G

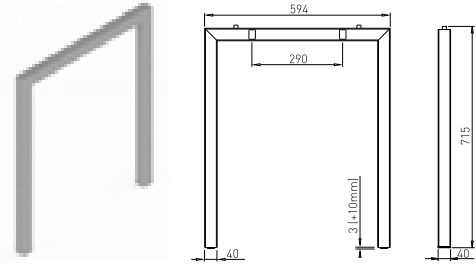
✕ OTHER COLOURS
made to order



HAVANA 40/600

✕ ART. 31428
RAL 9006G

✕ OTHER COLOURS
made to order



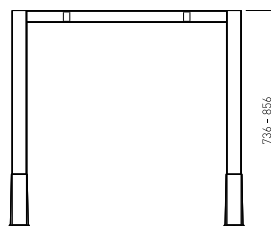
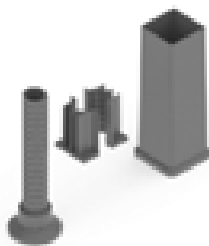
PLUG CUBO 40 FOR HEIGHT - ADJUSTABLE LEGS

✕ ART. 30702
RAL 7015 plastic

✕ ART. 20702
RAL 9005 plastic

For one leg 2 sets of taps are needed.

Using the taps the height of the table can be regulated from 736 - 856 mm.



CONNECTORS EDGE

CONNECTOR 600
L=590 mm



ART. 30831
RAL 9006G

CONNECTOR 800
L=790 mm



ART. 30832
RAL 9006G

CONNECTOR 1000
L=990 mm



ART. 30833
RAL 9006G

CONNECTOR 1200
L=1190 mm



ART. 30834
RAL 9006G

CONNECTOR 1400
L=1390 mm



ART. 30835
RAL 9006G

CONNECTOR 1600
L=1590 mm



ART. 30836
RAL 9006G

CONNECTOR 1800
L=1790 mm

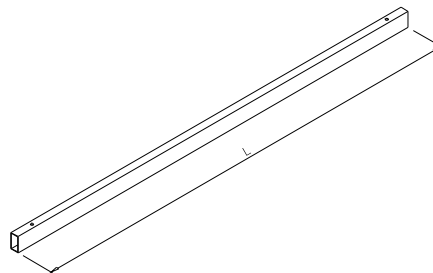
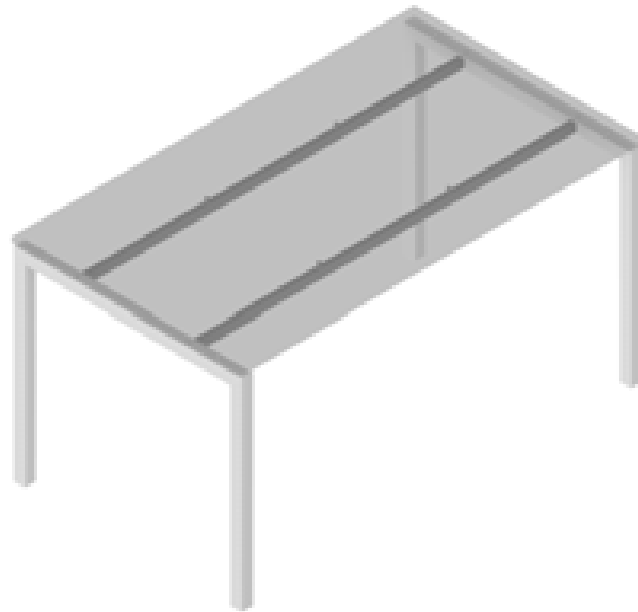


ART. 30837
RAL 9006G

CONNECTOR 2000
L=1990 mm



ART. 30838
RAL 9006G

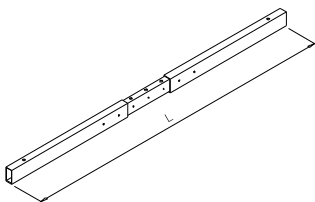


CONNECTORS EDGE TELESCOPIC 900 - 1400

CONNECTOR 900 - 1400



ART. 31491
RAL 9006G

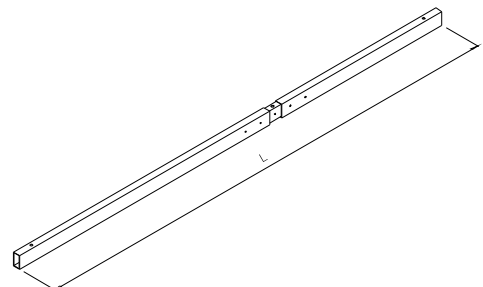


CONNECTORS EDGE TELESCOPIC 1500 - 2000

CONNECTOR 1500 - 2000

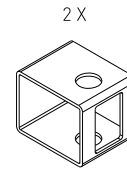
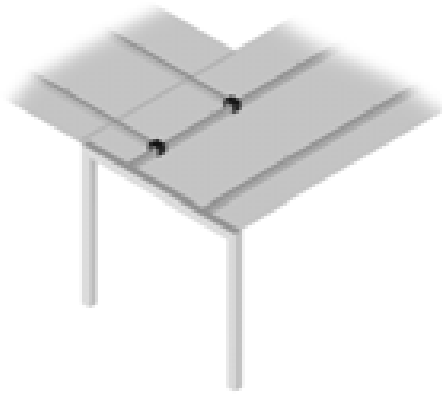


ART. 31492
RAL 9006G



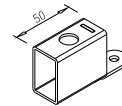
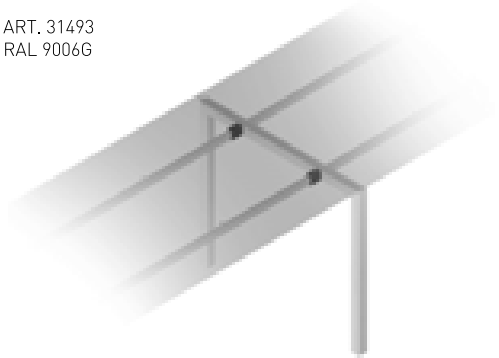
CORNER CONNECTOR EDGE

✕ ART. 31437
RAL 9006G



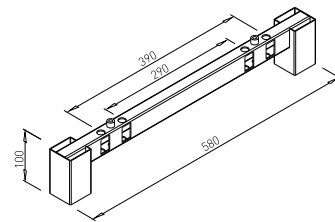
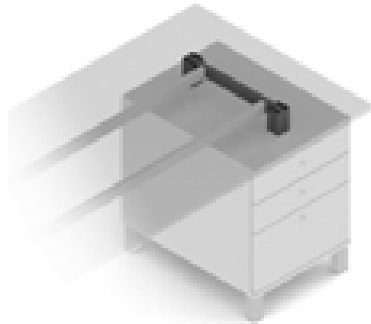
CONNECTOR EXTENSION EDGE

✕ ART. 31493
RAL 9006G



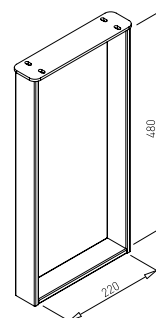
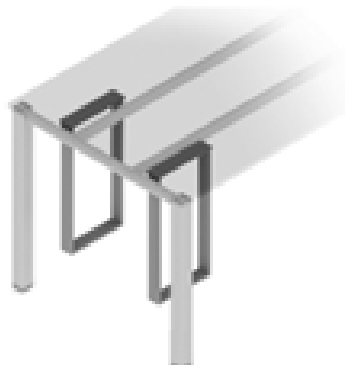
SUPPORTER EDGE

✕ ART. 31497
RAL 9006G



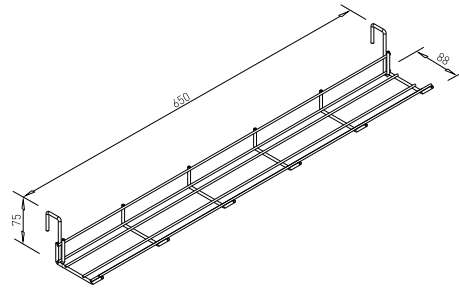
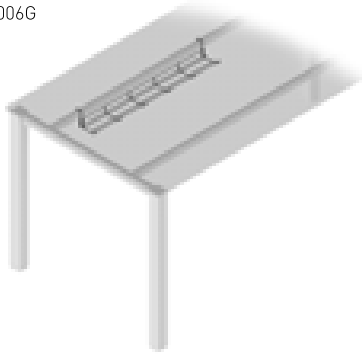
COMPUTER HOLDER

✕ ART. 30846
RAL 9006G



WIRE SHELF

✕ ART. 31498
RAL 9006G



ANGULAR SOLUTION - for legs from system EDGE

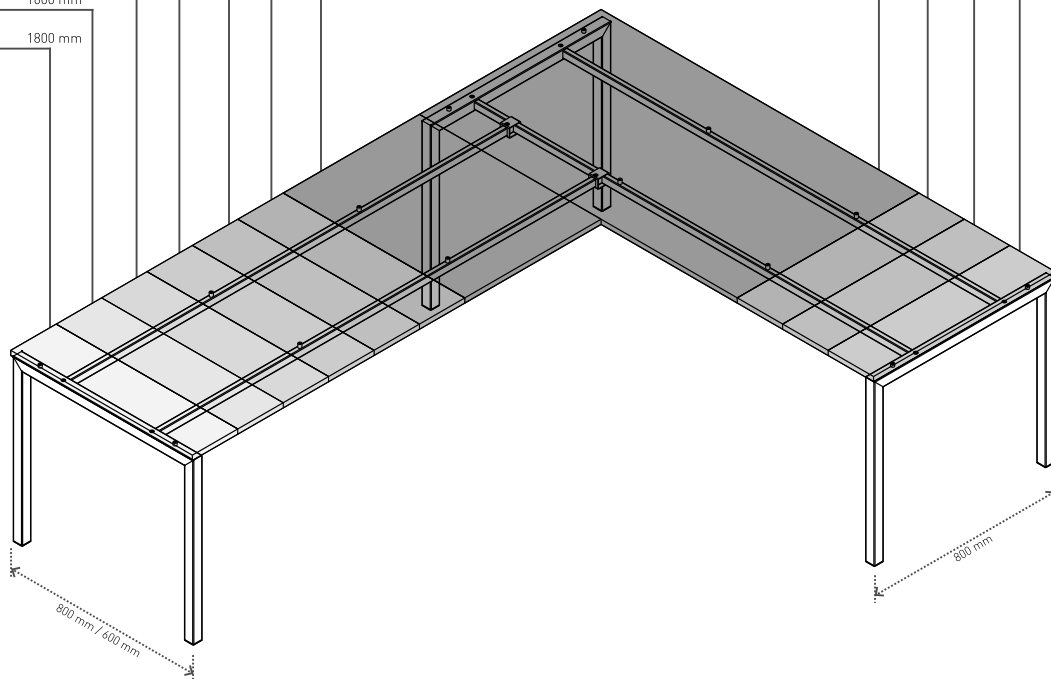
Telescopic connectors can be used with all other dimensions of table plates

connector - 200 mm = table plate dimension

connector	table plate dimen.
800 mm	600 mm
1000 mm	800 mm
1200 mm	1000 mm
1400 mm	1200 mm
1600 mm	1400 mm
1800 mm	1600 mm
2000 mm	1800 mm

connector = table plate dimension

connector	table plate dimen.
1400 mm	1400 mm
1600 mm	1600 mm
1800 mm	1800 mm
2000 mm	2000 mm



✕ SYSTEM EDGE