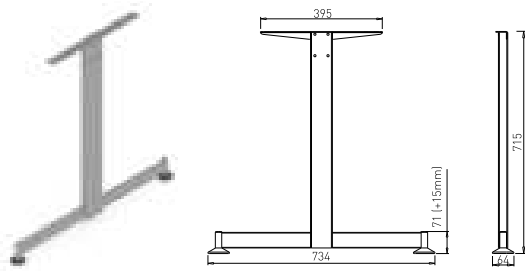




### TEND T 600

✕ ART. 30744  
RAL 9006G

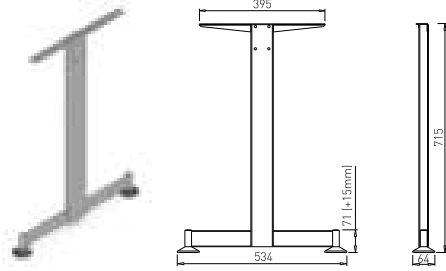
✕ OTHER COLOURS  
made to order



### TEND T 400

✕ ART. 30745  
RAL 9006G

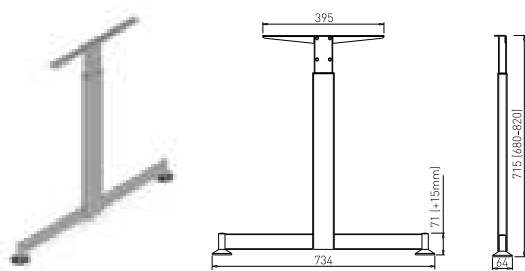
✕ OTHER COLOURS  
made to order



### TEND T 600 HV

✕ ART. 30985  
RAL 9006G

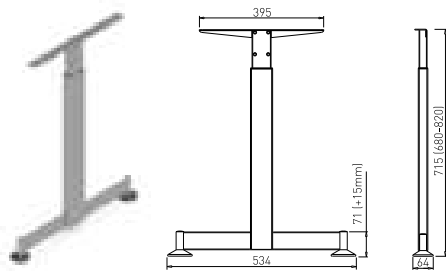
✕ OTHER COLOURS  
made to order



### TEND T 400 HV

✕ ART. 30986  
RAL 9006G

✕ OTHER COLOURS  
made to order



✕ SYSTEM DESK BAR

## DESK BAR BASIC

DESK BAR 800  
L=703 mm

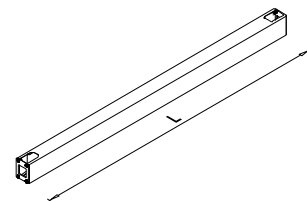
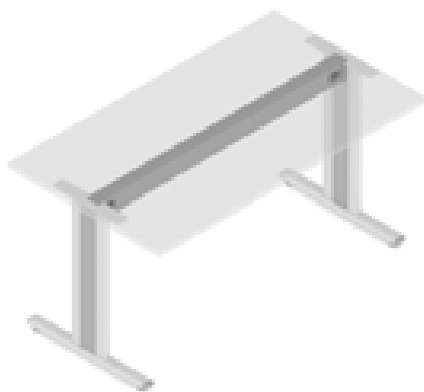
✘ ART. 30014  
RAL 9006G

DESK BAR 1000  
L=903 mm

✘ ART. 30015  
RAL 9006G

DESK BAR 1200  
L=1103 mm

✘ ART. 30017  
RAL 9006G



DESK BAR 1400  
L=1303 mm

✘ ART. 30019  
RAL 9006G

DESK BAR 1600  
L=1503 mm

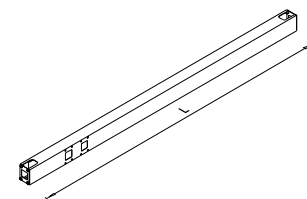
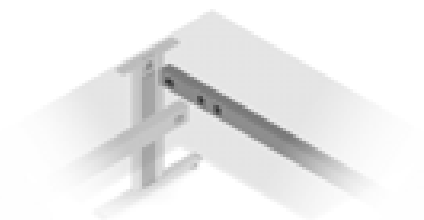
✘ ART. 30021  
RAL 9006G

DESK BAR 1800  
L=1703 mm

✘ ART. 30022  
RAL 9006G

DESK BAR 2000  
L=1903 mm

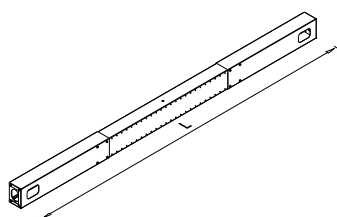
✘ ART. 30023  
RAL 9006G



## DESK BAR TELESCOPIC 1000 - 1600

DESK BAR TELESKOPIC 1000 - 1600  
L=903 - 1503 mm

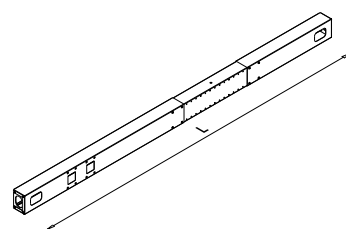
✘ ART. 31141  
RAL 9006G



## DESK BAR TELESCOPIC 1400 - 2000

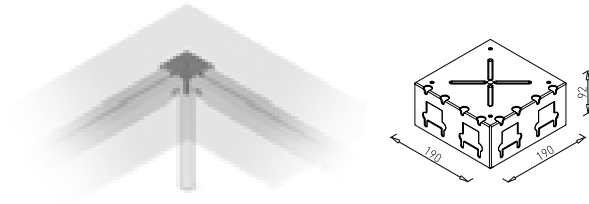
DESK BAR TELESKOPIC 1400 - 2000  
L=1303 - 1903 mm

✘ ART. 31140  
RAL 9006G



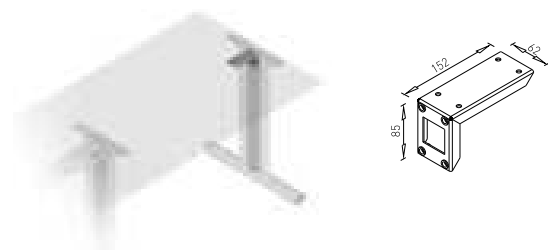
## HOLDING PLATE 90°

✕ ART. 30879  
RAL 9006G



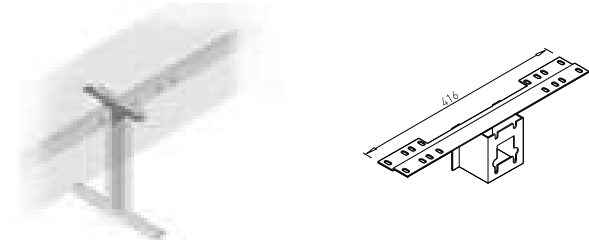
## LEG HOLDER

✕ ART. 30076  
RAL 9006G



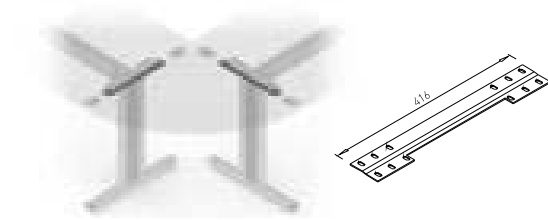
## DESK BAR EXTENSION

✕ ART. 30394  
RAL 9006G



## CONNECTING PLATE "Z"

✕ ART. 30024  
RAL 9006G



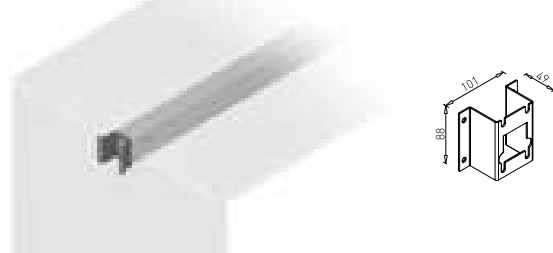
## CONNECTING PLATE 90 x 65

✕ ART. 30027  
RAL 9006G



## HOLDER

✕ ART. 30901  
RAL 9006G



## COMPUTER SHELF

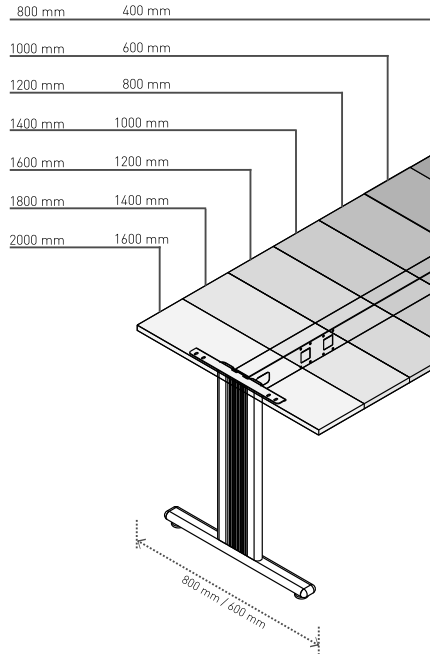
✕ ART. 30056  
RAL 9006G



# Angular solution for T legs 90° for legs TEMPO, TEND, WORK, TILL

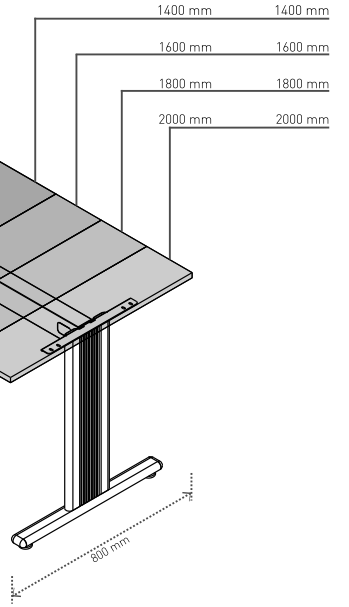
## DESK BAR - 400 mm = table plate dimension

desk bar      table plate dimen.



## DESK BAR = table plate dimension

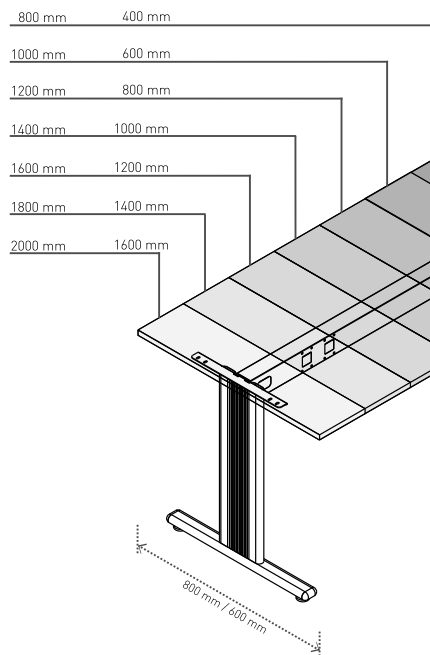
desk bar      table plate dimen.



# Angular solution for T legs 90° for legs TEMPO, TEND, WORK, TILL

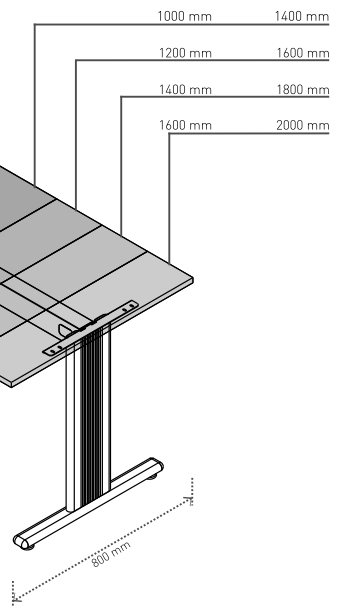
## DESK BAR - 400 mm = table plate dimension

desk bar      table plate dimen.



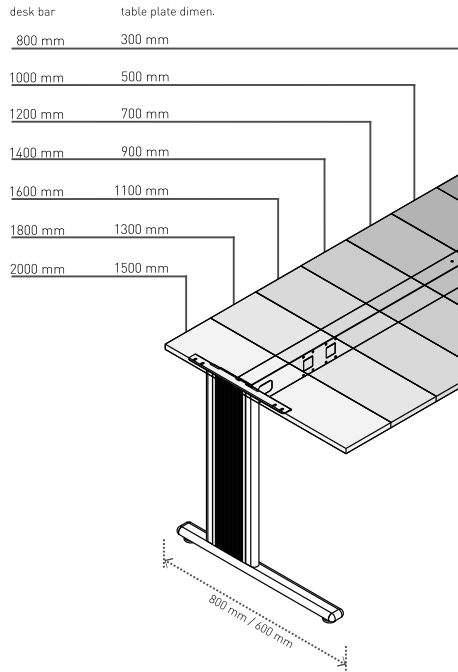
## DESK BAR + 400 mm = table plate dimension

desk bar      table plate dimen.

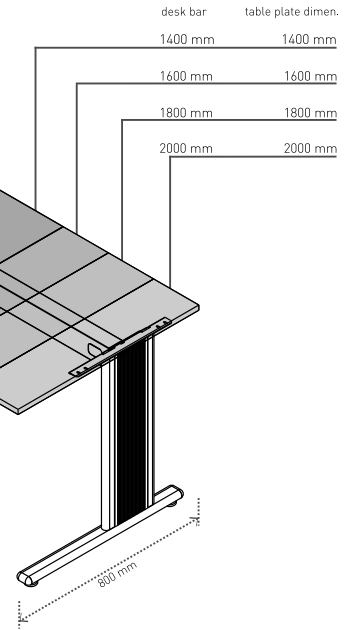


# Angular solution for C legs 90° for legs COMO, MARK

## DESK BAR - 500 mm = table plate dimension

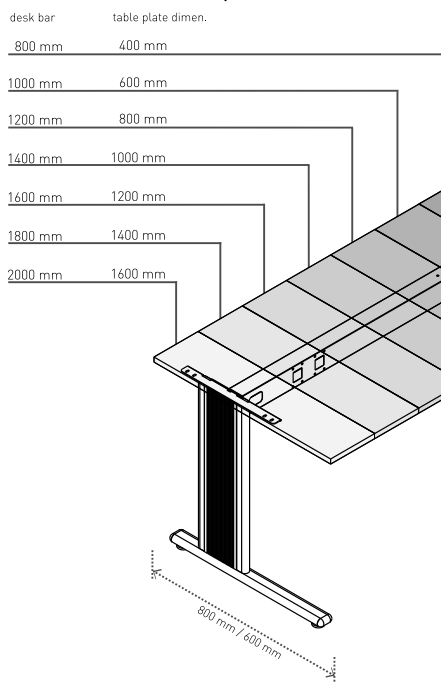


## DESK BAR = table plate dimension



# Angular solution for C legs 90° for legs COMO, MARK

## DESK BAR - 400 mm = table plate dimension



## DESK BAR + 400 mm = table plate dimension

