

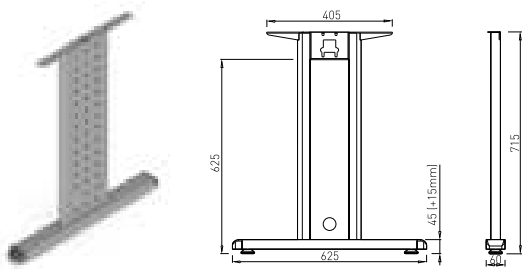


SYSTEM DESK BAR

WORK T 600

✕ ART. 30199
RAL 9006G

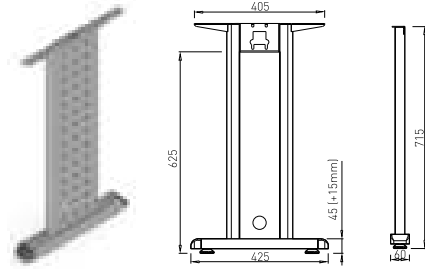
✕ OTHER COLOURS
made to order



WORK T 400

✕ ART. 30198
RAL 9006G

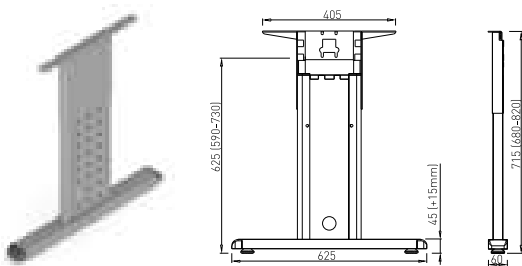
✕ OTHER COLOURS
made to order



WORK T 600 HV

✕ ART. 30201
RAL 9006G

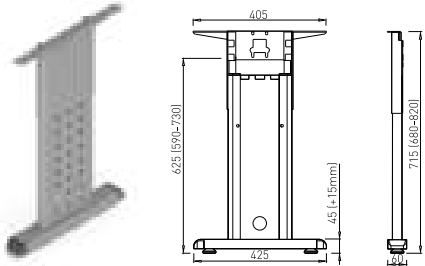
✕ OTHER COLOURS
made to order



WORK T 400 HV

✕ ART. 30200
RAL 9006G

✕ OTHER COLOURS
made to order



DESK BAR BASIC

DESK BAR 800
L=703 mm

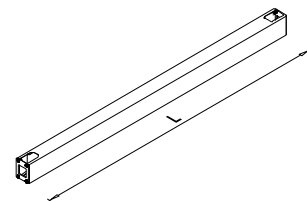
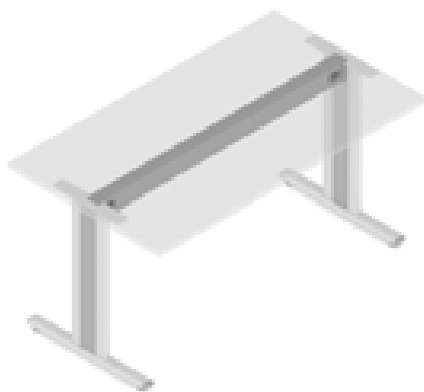
✘ ART. 30014
RAL 9006G

DESK BAR 1000
L=903 mm

✘ ART. 30015
RAL 9006G

DESK BAR 1200
L=1103 mm

✘ ART. 30017
RAL 9006G



DESK BAR 1400
L=1303 mm

✘ ART. 30019
RAL 9006G

DESK BAR 1600
L=1503 mm

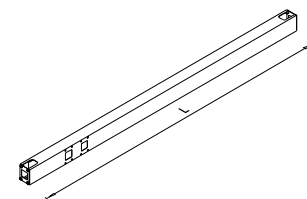
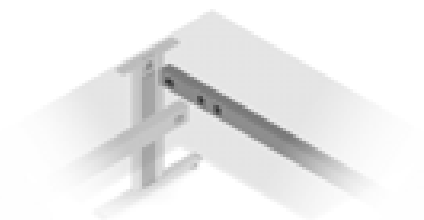
✘ ART. 30021
RAL 9006G

DESK BAR 1800
L=1703 mm

✘ ART. 30022
RAL 9006G

DESK BAR 2000
L=1903 mm

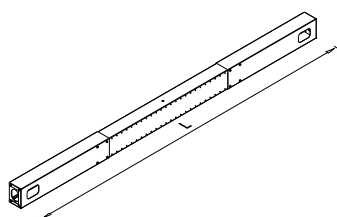
✘ ART. 30023
RAL 9006G



DESK BAR TELESCOPIC 1000 - 1600

DESK BAR TELESKOPIC 1000 - 1600
L=903 - 1503 mm

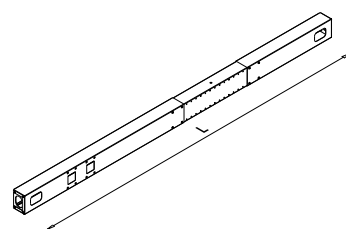
✘ ART. 31141
RAL 9006G



DESK BAR TELESCOPIC 1400 - 2000

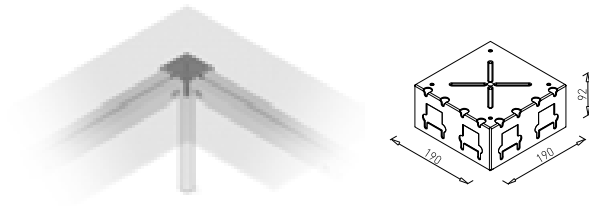
DESK BAR TELESCOPIC 1400 - 2000
L=1303 - 1903 mm

✘ ART. 31140
RAL 9006G



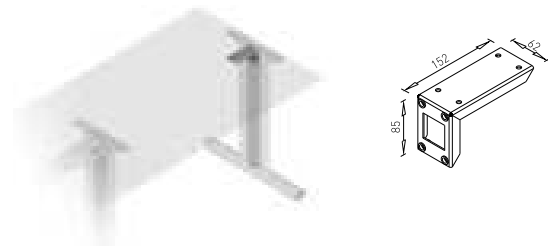
HOLDING PLATE 90°

✕ ART. 30879
RAL 9006G



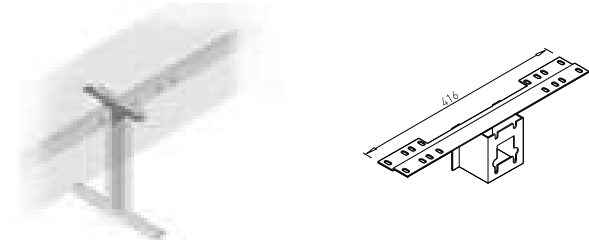
LEG HOLDER

✕ ART. 30076
RAL 9006G



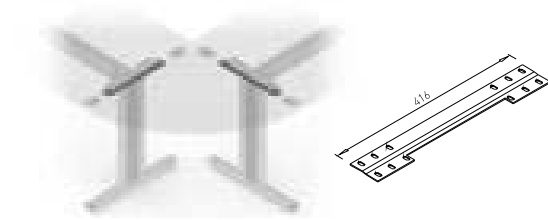
DESK BAR EXTENSION

✕ ART. 30394
RAL 9006G



CONNECTING PLATE "Z"

✕ ART. 30024
RAL 9006G



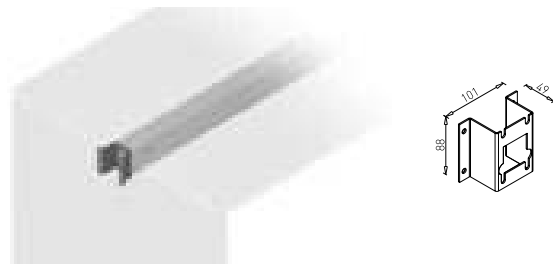
CONNECTING PLATE 90 x 65

✕ ART. 30027
RAL 9006G



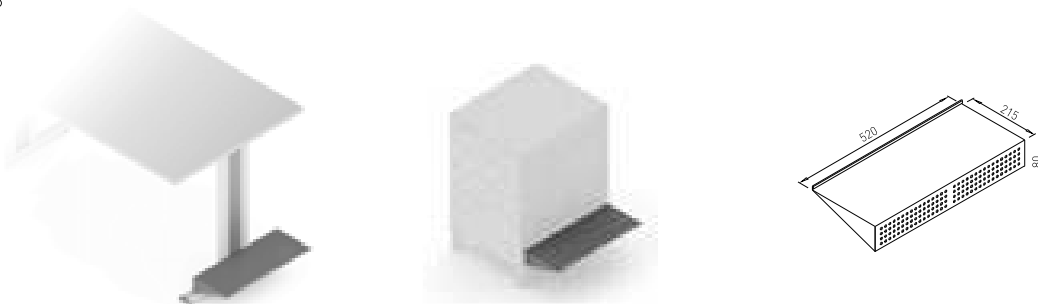
HOLDER

✕ ART. 30901
RAL 9006G



COMPUTER SHELF

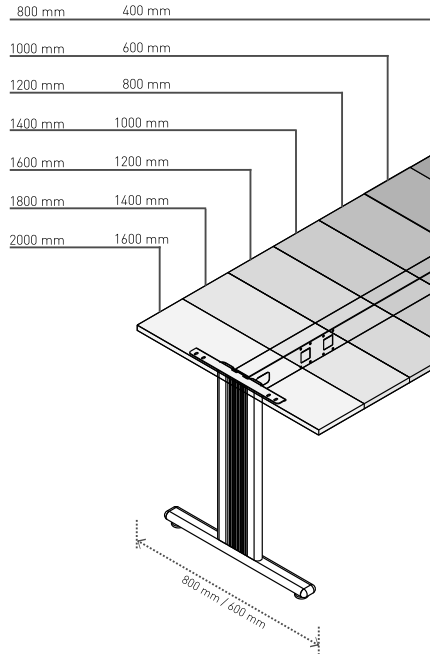
✕ ART. 30056
RAL 9006G



Angular solution for T legs 90° for legs TEMPO, TEND, WORK, TILL

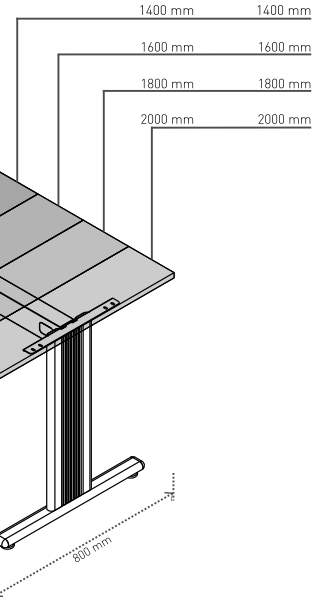
DESK BAR - 400 mm = table plate dimension

desk bar table plate dimen.



DESK BAR = table plate dimension

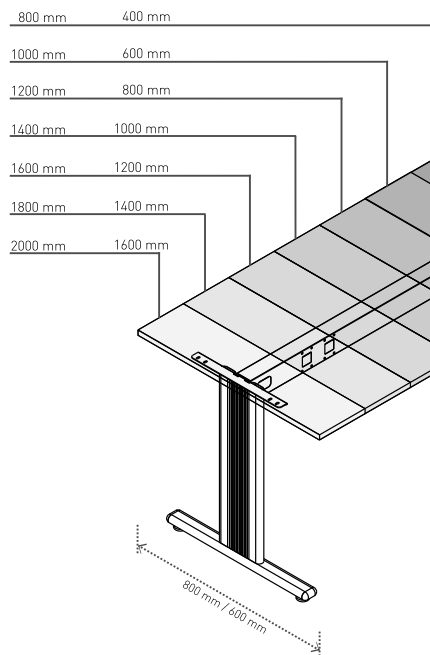
desk bar table plate dimen.



Angular solution for T legs 90° for legs TEMPO, TEND, WORK, TILL

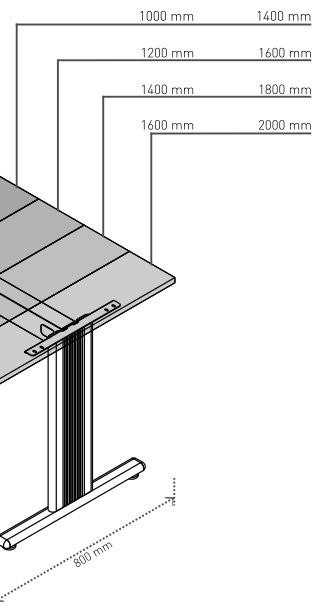
DESK BAR - 400 mm = table plate dimension

desk bar table plate dimen.



DESK BAR + 400 mm = table plate dimension

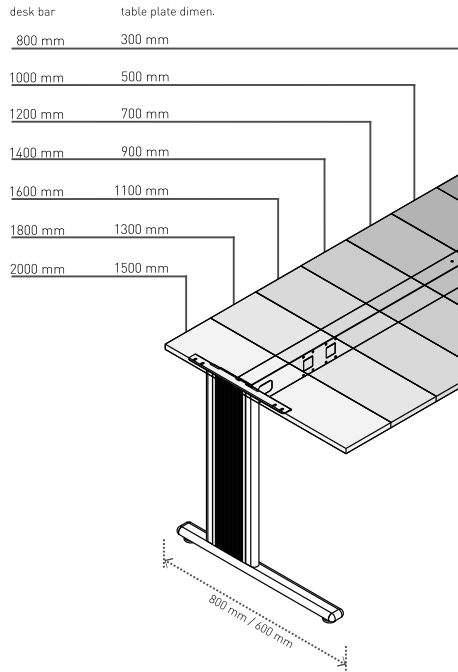
desk bar table plate dimen.



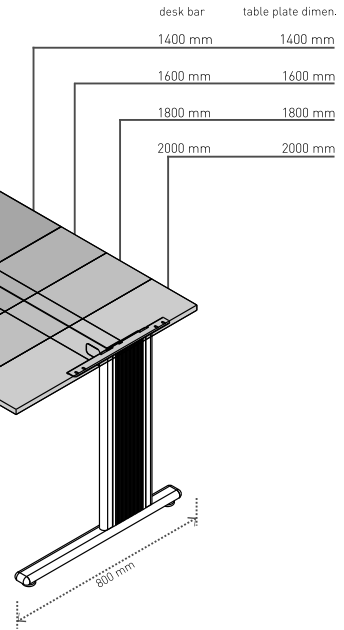
✘ SYSTEM DESK BAR

Angular solution for C legs 90° for legs COMO, MARK

DESK BAR - 500 mm = table plate dimension

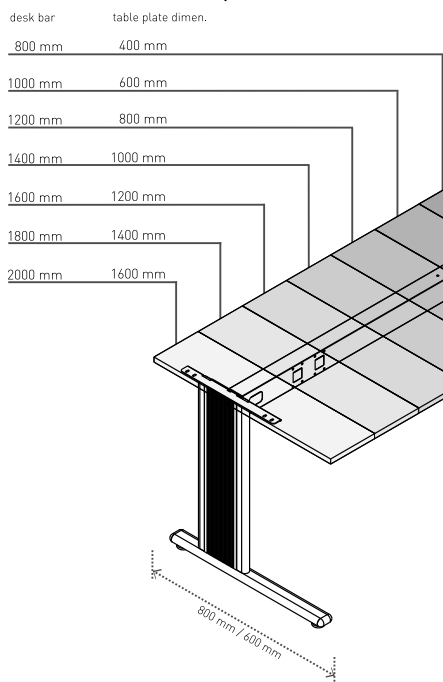


DESK BAR = table plate dimension



Angular solution for C legs 90° for legs COMO, MARK

DESK BAR - 400 mm = table plate dimension



DESK BAR + 400 mm = table plate dimension

