

UPD Base is a power strip designed to be easily installed in the housings of devices like Frame, Dock, Conference or removed from the same, as a cartridge. The possibility of

selecting device housings and power strip configuration separately fits with our concept of modularity at a distributor level..



ADVANTAGES

- Possibility of exchangeable communications modules
- Enables great flexibility for distributors
- Lengths corresponding to complex device housings giving the necessary number of power and communication modules

POWER CHARACTERISTICS

- **Voltage:** 100-250 V max
- **Current:** 16 A max
- **Frequency:** 50-60 Hz
- **Temperature:** 0 – 40°C
- **Relative humidity:** 0 – 95 % (no condensing)
- **Protection:** IP 20
- **Power cable / connector:** Cable HO5VV - F 3x1,5 mm² with power connectors M/F (wieland) 400mm, (Table 5, page 56)

COLOURS

Plastic parts	RAL 9010	RAL 9005	
Aluminum	RAL 9010	RAL 9005	natural anodized aluminum

RECOMMENDED MODULES

RJ45
CAT 6 keystone F/F

USB 3.0
keystone F/F

HDMI
keystone F/F

VGA
panel mount F/F

AUDIO
panel mount F/F

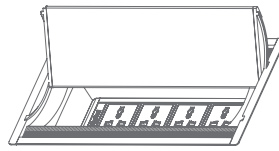
DISPLAY PORT
panel mount F/F

By request: CH, DM, USA, FR, IT, GB - Multistandard power socket (Table 4 page 56) Red - Power supply from the aggregate, Green - Power supply from BACK UPS, USBCharger2, 5V, 2.4A, 2 ports

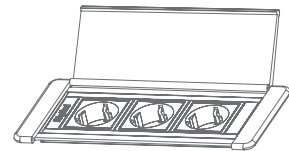
There is a possibility of making a device that will be used for redundant power supply (red and green socket) (table 4, page 56) or switch (table 6, page 56).

Universal power and data rack as stand alone, or as a part of Frame, Conference, Dock UPD Set, and Desk Above & Below.

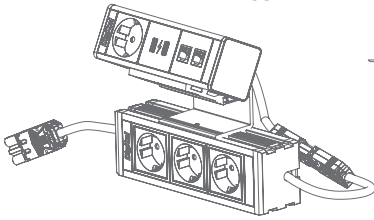
IN Conference



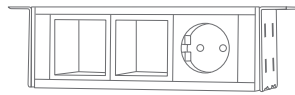
IN Frame



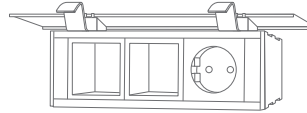
WITH Desk



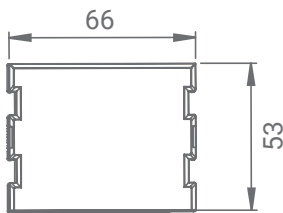
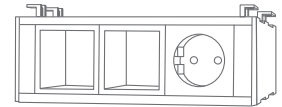
WITH Dock holder



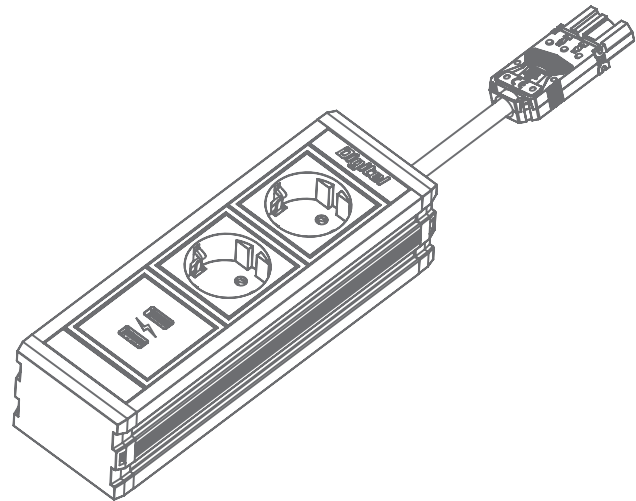
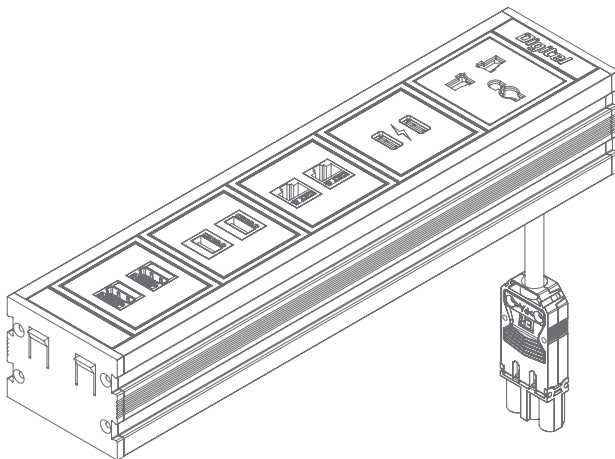
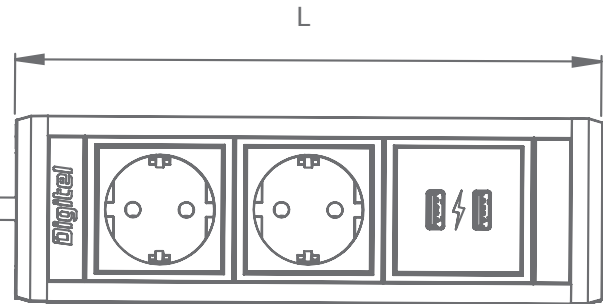
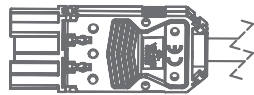
WITH Carry



WITH Legs



Cable length 400mm



MOUNTING

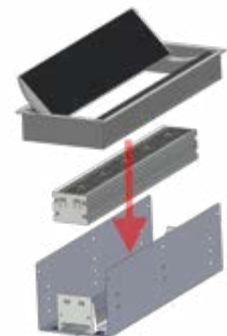
1



2



3



Mounting is achieved with two hooks which are located on the side caps of the UPD Base, attaching them into the openings of the device in which it is inserted.



P Schuko power outlet (Type F)
2 pins, grounded, 16 A (max), 240 V (max), grounded



USB USBCharger2,
5 V, 2.4 A, 2 ports



E exchangeable communication module place