

In limited space, Kompakt provides the required number of power and data sockets for mobile devices on the upper side and twice as many power sockets for stationary devices on the lower side of the work surface. With the lid lowered, the profile height is less than 1.5mm above the desk, making

Kompakt almost completely adjusted into the work surface. Kompakt maintains order and tidiness in the workspace with the help of a wire mesh cable tray (page 60) in which all the supply cables are housed, thus keeping them off the floor, out of sight and safe from unpredicted contact and dust.



Unique design
with additional
power sockets
below the desk

ADVANTAGES

- All cables remain under the table, creating a neater workspace
- Device contours are adapted to furniture contours
- Twice as many power sockets under the desk than as above the desk

POWER CHARACTERISTICS

- **Voltage:** 100-250 V max
- **Current:** 16 A max
- **Frequency:** 50-60 Hz
- **Temperature:** 0 – 40°C
- **Relative humidity:** 0 – 95 % (no condensing)
- **Protection:** IP 20
- **Power connector:** Integrated EPC 0104, For additional cables, (table 5, page 56)

COLOURS

Plastic parts

RAL 9010

RAL 9005

Aluminum

RAL 9010

RAL 9005

natural anodized aluminum

RECOMMENDED MODULES

RJ45 CAT 6
keystone, F/F, Unshielded/ Shielded

USB 3.0
panel mount, F/F, cable 25mm

HDMI
panel mount, F/F, cable 25mm

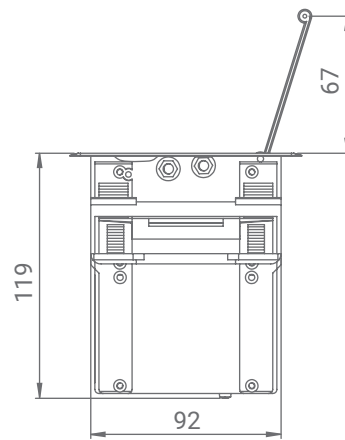
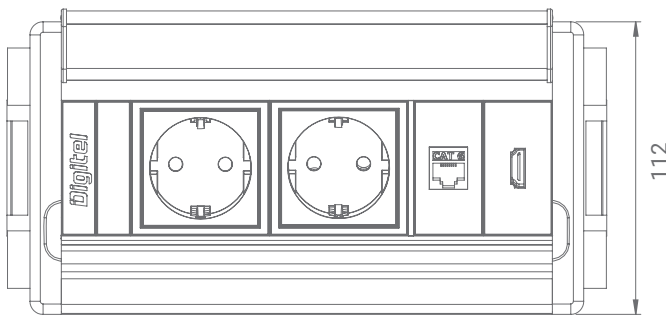
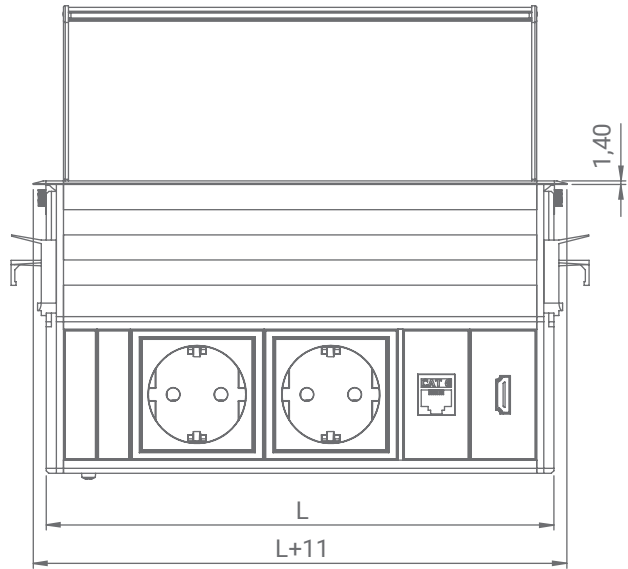
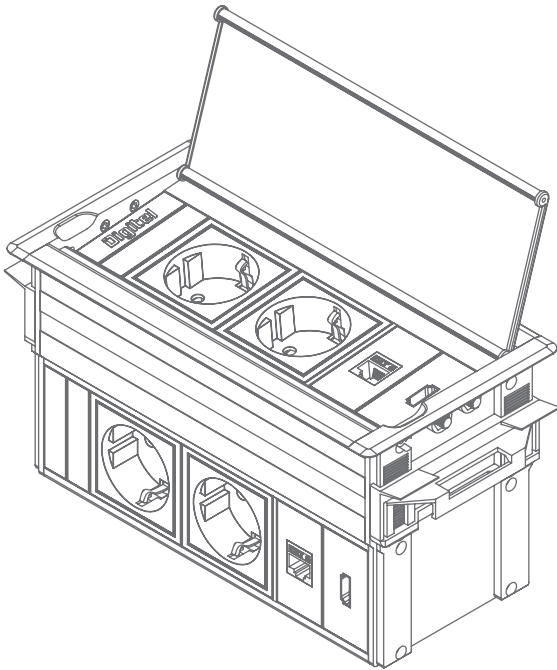
VGA
panel mount, F/F, cable 25mm

AUDIO
panel mount, F/F

DISPLAY PORT
panel mount, F/F

By request: CH, DM, USA, FR, IT, - Multistandard power socket (Table 4 page 56), Red - Power supply from the aggregate, Green - Power supply from BACK UPS, USBCharger2, 5V, 4A, 2 ports

There is a possibility of making a device that will be used for redundant power supply (red and green socket) (table 4, page 56) or switch (table 6, page 56).



Installation hole: 93xL+1mm

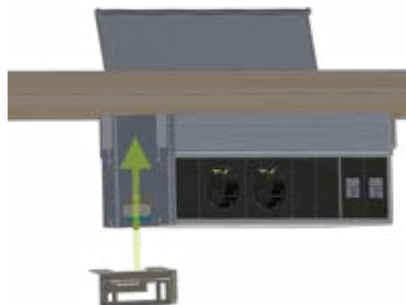
MOUNTING

With the plastic fixator – desk thickness up to 32mm, and with the integrated hidden screw – desk thickness up to 55mm.

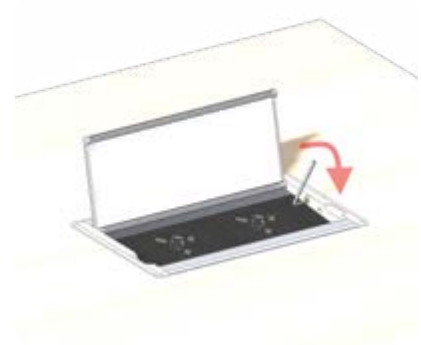
1



2



3



P Schuko power outlet (Type F)
2 pins, grounded, 16 A (max), 240 V (max), grounded



USB USBCharger2,
5 V, 2.4 A, 2 ports



E exchangeable communication
module place