

Frame UPD set has a simplified design which sets a high aesthetic criteria in both living and work space. It is easily installed in desks, cabinets and other types of furniture (possibility of installation in panel walls). The device profile

is less than 1.5 mm, with a depth of 57mm inside the working surfaces. Frame UPD set contains Frame and UPD Base. Frame is used as a housing for the UPD Base.



ADVANTAGES

- Stainless steel housing
- Simple mounting
- Meets the specific aesthetic demands, either at work or living space
- Exchangeable communication modules

POWER CHARACTERISTICS

- **Voltage:** 100-250 V max
- **Current:** 16 A max
- **Frequency:** 50-60 Hz
- **Temperature:** 0 – 40°C
- **Relative humidity:** 0 – 95 % (no condensing)
- **Protection:** IP 20
- **Power cable / connector:** Cable HO5VV - F 3x1,5 mm² EPN 1104/EPN 1114 (Wieland m/f) – 400mm. For additional cables, (Table 5, page 56)

COLOURS

Housing			UPD			Lid	
RAL 9010	RAL 9005	stainless steel	RAL 9010	RAL 9005	natural anodised aluminum	RAL 9010	RAL 9005

RECOMMENDED MODULES

RJ45
CAT 6 keystone F/F

USB 3.0
keystone F/F

HDMI
keystone F/F

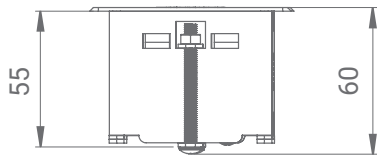
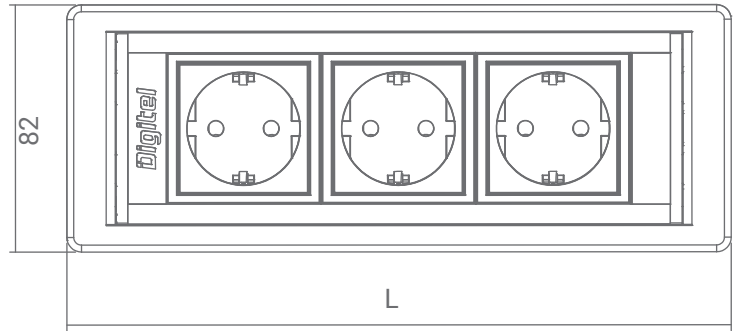
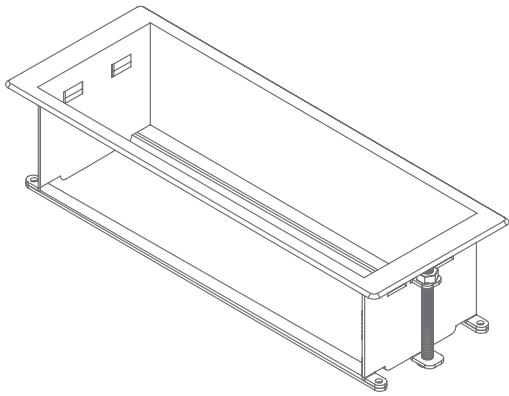
VGA
panel mount F/F

AUDIO
panel mount F/F

DISPLAY PORT
panel mount F/F

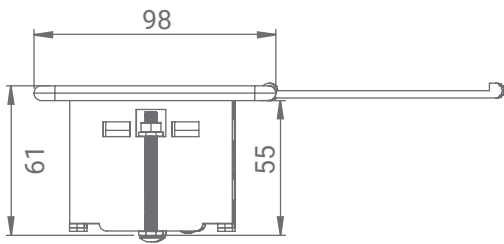
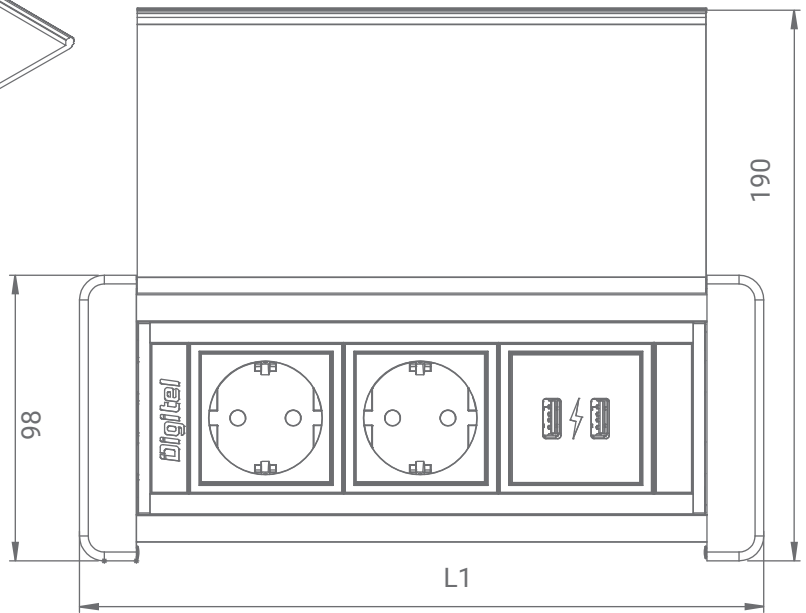
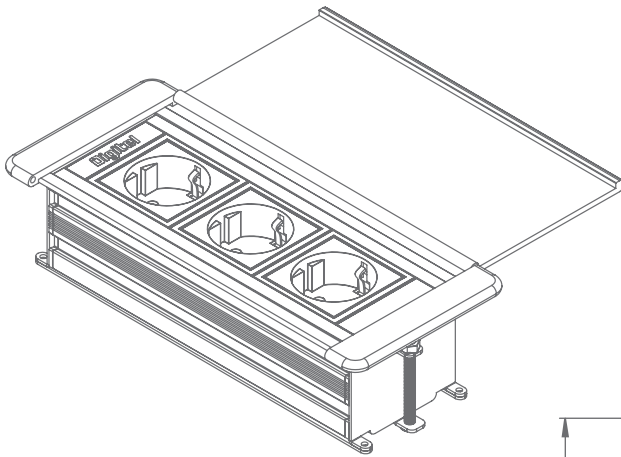
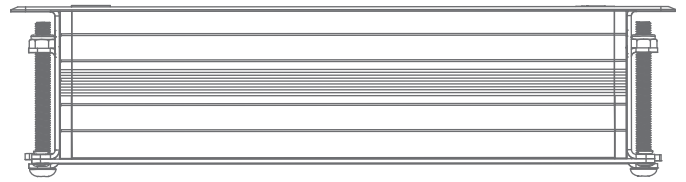
There is a possibility of making a device that will be used for redundant power supply (red and green socket) (table 4, page 56) or switch (table 6, page 56).

By request: CH, DM, USA, FR, IT, GB - Multistandard power socket (Table 4 page 56), Red - Power supply from the aggregate, Green - Power supply from BACK UPS, USBCharger2, 5V, 2.4A, 2 ports



L: 175 (2 Working modules)
228 (3 Working modules)
335 (5 Working modules)

L1: 181 (2 Working modules)
235 (3 Working modules)
341 (5 Working modules)

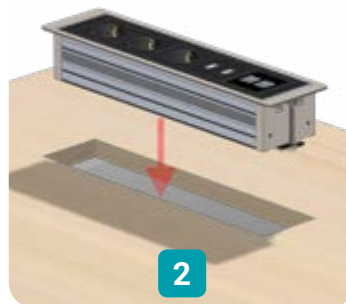


MOUNTING

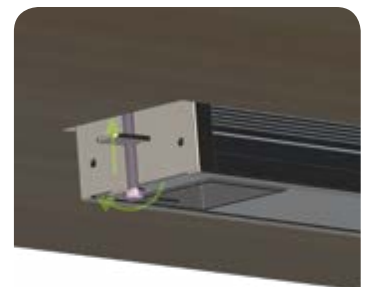
Flash mounting with clamps using screw. For desk thicknesses from 10mm to 50mm.



1



2



3