

Elegant and above all practical, Source is a small oasis on the work table with all the necessary sockets for a work place. At the same time it uses minimum space on the work surface. Largest number of sockets on smallest surface also perfectly serves the needs of students in schools and

universities. It is available in black and white colour and thanks to the stainless steel finish and the possibility to add a cover lid which opens to 181°, the Source fits stylish into the kitchen environment as well. Source is a unique and easily recognizable product.



Unique round but square design, cover, and top colors

**ADVANTAGES**

- Compact. Power, twin charger with or without two data connectors
- Easy installation in standard Ø80mm opening
- Low profile above the work surface, or leveled with the surface
- Available in Digitel colours 2019, or in stainless steel finish

**POWER CHARACTERISTICS**

- **Voltage:** 100-250 V (max)
- **Current:** 16 A (max)
- **Frequency:** 50-60 Hz
- **Temperature:** 0 – 40°C
- **Relative humidity:** 0 – 95 % (no condensing)
- **Protection:** ip 20
- **Power cable / connector:** cable HO5VV - F, 3x1,5mm<sup>2</sup> EPN 1104/EPN 1114 (Wieland m/f) – 400mm. For additional cables, (Table 5, page 56)

RECOMMENDED MODULES

**RJ45**  
CAT 6 keystone F/F

**USB 3.0**  
keystone F/F

**HDMI**  
keystone F/F

By request: CH, DM, USA, FR, IT, GB (without fuse), Multistandard power socket (Table 4 page 56) USBCharger2, 5V, 2.4A, 2 ports

COLOURS

Plastic parts



Top plate



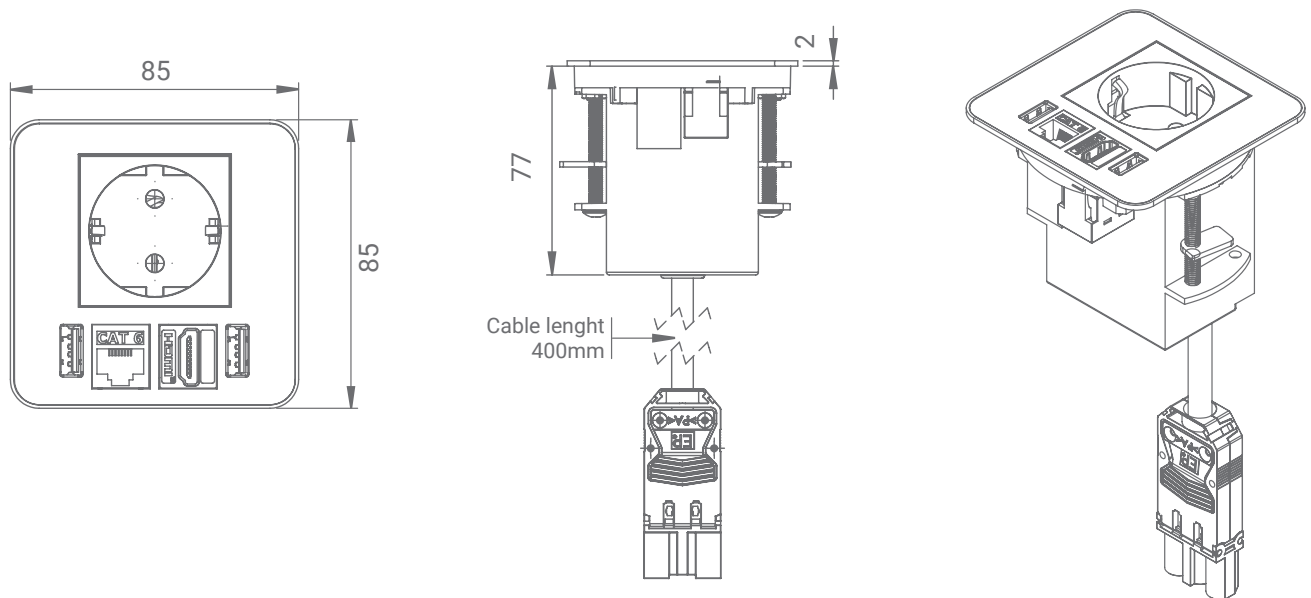
**P** Schuko power outlet (Type F)  
2 pins, grounded, 16 A (max), 240 V (max), grounded



**USB** USBCharger2,  
5 V, 2.4 A, 2 ports

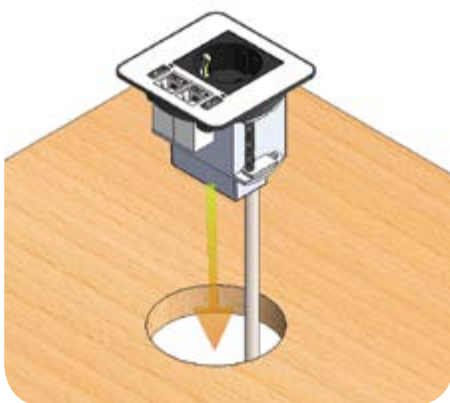


**E** exchangeable communication module place

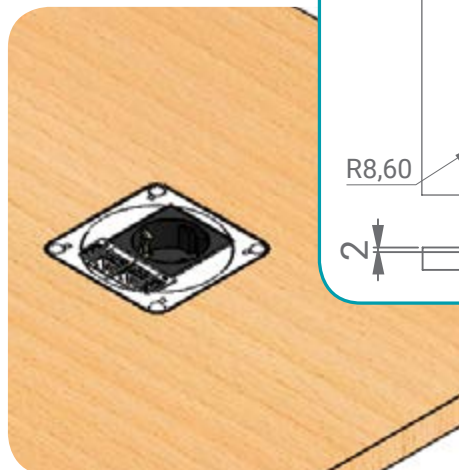


## MOUNTING

1

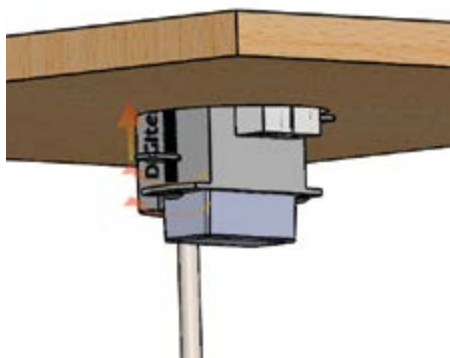


1.1 OPTIONAL

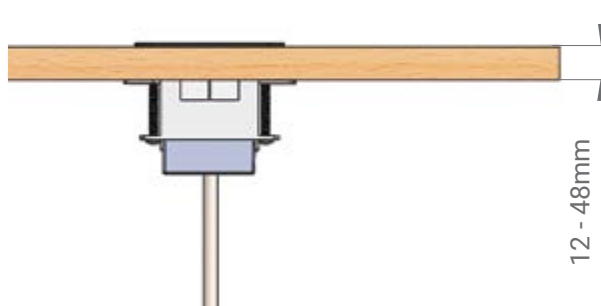


If you want to install the device in a way that its top surface comes flush with the work surface, you need to create an opening shown in the image.

2



3



It is easily mounted in a  $\varnothing 80 + 0,5\text{mm}$  opening with an integrated tightening mechanism and using only a PH screw driver. For desk thicknesses from 12 to 48mm.